

THIS DRAWING IS UNPUBLISHED. RELEASED FOR PUBLICATION .19
 (C) COPYRIGHT 19 BY AMP INCORPORATED. ALL RIGHTS RESERVED.

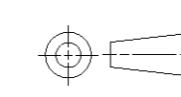
LOC	DIST	REVISIONS					
AD	39	P	LTR	DESCRIPTION	DATE	DWN	APVD
		U		REV PER 063C-0200-04	180CT04	RB	DS

△	-	45.85 [1.805]	20.32 [.800]	22.86 [.900]	18	8-87499-9
△	-	43.31 [1.705]	20.32 [.800]	20.32 [.800]	17	8-87499-8
△	-	40.77 [1.605]	17.78 [.700]	20.32 [.800]	16	8-87499-7
△	-	38.23 [1.505]	17.78 [.700]	17.78 [.700]	15	8-87499-6
△	-	35.69 [1.405]	15.24 [.600]	17.78 [.700]	14	8-87499-5
△	-	33.15 [1.305]	15.24 [.600]	15.24 [.600]	13	8-87499-4
△	-	30.61 [1.205]	12.70 [.500]	15.24 [.600]	12	8-87499-3
△	-	28.07 [1.105]	12.70 [.500]	12.70 [.500]	11	8-87499-2
△	-	25.53 [1.005]	10.16 [.400]	12.70 [.500]	10	8-87499-1
△	-	22.99 [.905]	10.16 [.400]	10.16 [.400]	9	8-87499-0
△	-	20.45 [.805]	7.62 [.300]	10.16 [.400]	8	7-87499-9
△	-	17.91 [.705]	7.62 [.300]	7.62 [.300]	7	7-87499-8
△	-	15.37 [.605]	5.08 [.200]	7.62 [.300]	6	7-87499-7
△	-	12.83 [.505]	5.08 [.200]	5.08 [.200]	5	7-87499-6
△	-	10.29 [.405]	2.54 [.100]	5.08 [.200]	4	7-87499-5
△	-	7.75 [.305]	2.54 [.100]	2.54 [.100]	3	7-87499-4
△	-	5.21 [.205]	-	2.54 [.100]	2	7-87499-3
-	-	2.67 [.105]	-	-	1	7-87499-2
SUPERSEDED BY 7-87499-2	-	ALL	2.67 [.105]	-	1	7-87499-1
-	-	-	91.57 [3.605]	43.18 [1.700]	36	7-87499-0
OBSOLETE	-	ALL	91.57 [3.605]	43.18 [1.700]	36	6-87499-9
-	-	-	89.03 [3.505]	43.18 [1.700]	35	6-87499-8
OBSOLETE	-	ALL	89.03 [3.505]	43.18 [1.700]	35	6-87499-7
-	-	-	86.49 [3.405]	40.64 [1.600]	34	6-87499-6
OBSOLETE	-	ALL	86.49 [3.405]	40.64 [1.600]	34	6-87499-5
-	-	-	83.95 [3.305]	40.64 [1.600]	33	6-87499-4
OBSOLETE	-	ALL	83.95 [3.305]	40.64 [1.600]	33	6-87499-3
-	-	-	81.41 [3.205]	38.10 [1.500]	32	6-87499-2
OBSOLETE	-	ALL	81.41 [3.205]	38.10 [1.500]	32	6-87499-1
-	-	-	78.87 [3.105]	38.10 [1.500]	31	6-87499-0
OBSOLETE	-	ALL	78.87 [3.105]	38.10 [1.500]	31	5-87499-9
-	-	-	76.33 [3.005]	35.56 [1.400]	30	5-87499-8
OBSOLETE	-	ALL	76.33 [3.005]	35.56 [1.400]	30	5-87499-7
-	-	-	73.79 [2.905]	35.56 [1.400]	29	5-87499-6
OBSOLETE	-	ALL	73.79 [2.905]	35.56 [1.400]	29	5-87499-5
-	-	-	71.25 [2.805]	33.02 [1.300]	28	5-87499-4
OBSOLETE	-	ALL	71.25 [2.805]	33.02 [1.300]	28	5-87499-3
-	-	-	68.71 [2.705]	33.02 [1.300]	27	5-87499-2
OBSOLETE	-	ALL	68.71 [2.705]	33.02 [1.300]	27	5-87499-1
-	-	-	66.17 [2.605]	30.48 [1.200]	26	5-87499-0
OBSOLETE	-	ALL	66.17 [2.605]	30.48 [1.200]	26	4-87499-9
-	-	-	63.63 [2.505]	30.48 [1.200]	25	4-87499-8

OBSOLETE	ALL	63.63 [2.505]	30.48 [1.200]	30.48 [1.200]	25	4-87499-7
-	-	61.09 [2.405]	27.94 [1.100]	30.48 [1.200]	24	4-87499-6
OBSOLETE	ALL	61.09 [2.405]	27.94 [1.100]	30.48 [1.200]	24	4-87499-5
-	-	58.55 [2.305]	27.94 [1.100]	27.94 [1.100]	23	4-87499-4
OBSOLETE	ALL	58.55 [2.305]	27.94 [1.100]	27.94 [1.100]	23	4-87499-3
-	-	56.01 [2.205]	25.40 [1.000]	27.94 [1.100]	22	4-87499-2
SUPERSEDED BY 4-87499-2	ALL	56.01 [2.205]	25.40 [1.000]	27.94 [1.100]	22	4-87499-1
-	-	53.47 [2.105]	25.40 [1.000]	25.40 [1.000]	21	4-87499-0
OBSOLETE	ALL	53.47 [2.105]	25.40 [1.000]	25.40 [1.000]	21	3-87499-9
-	-	50.93 [2.005]	22.86 [.900]	25.40 [1.000]	20	3-87499-8
-	ALL	50.93 [2.005]	22.86 [.900]	25.40 [1.000]	20	3-87499-7
-	-	48.39 [1.905]	22.86 [.900]	22.86 [.900]	19	3-87499-6
OBSOLETE	ALL	48.39 [1.905]	22.86 [.900]	22.86 [.900]	19	3-87499-5
-	-	45.85 [1.805]	20.32 [.800]	22.86 [.900]	18	3-87499-4
SUPERSEDED BY 3-87499-4	ALL	45.85 [1.805]	20.32 [.800]	22.86 [.900]	18	3-87499-3
-	-	43.31 [1.705]	20.32 [.800]	20.32 [.800]	17	3-87499-2
OBSOLETE	ALL	43.31 [1.705]	20.32 [.800]	20.32 [.800]	17	3-87499-1
-	-	40.77 [1.605]	17.78 [.700]	20.32 [.800]	16	3-87499-0
-	ALL	40.77 [1.605]	17.78 [.700]	20.32 [.800]	16	2-87499-9
-	-	38.23 [1.505]	17.78 [.700]	17.78 [.700]	15	2-87499-8
-	ALL	38.23 [1.505]	17.78 [.700]	17.78 [.700]	15	2-87499-7
-	-	35.69 [1.405]	15.24 [.600]	17.78 [.700]	14	2-87499-6
-	ALL	35.69 [1.405]	15.24 [.600]	17.78 [.700]	14	2-87499-5
-	-	33.15 [1.305]	15.24 [.600]	15.24 [.600]	13	2-87499-4
-	ALL	33.15 [1.305]	15.24 [.600]	15.24 [.600]	13	2-87499-3
-	-	30.61 [1.205]	12.70 [.500]	15.24 [.600]	12	2-87499-2
-	ALL	30.61 [1.205]	12.70 [.500]	15.24 [.600]	12	2-87499-1
-	-	28.07 [1.105]	12.70 [.500]	12.70 [.500]	11	2-87499-0
-	ALL	28.07 [1.105]	12.70 [.500]	12.70 [.500]	11	1-87499-9
-	-	25.53 [1.005]	10.16 [.400]	12.70 [.500]	10	1-87499-8
-	ALL	25.53 [1.005]	10.16 [.400]	12.70 [.500]	10	1-87499-7
-	-	22.99 [.905]	10.16 [.400]	10.16 [.400]	9	1-87499-6
-	ALL	22.99 [.905]	10.16 [.400]	10.16 [.400]	9	1-87499-5
-	-	20.45 [.805]	7.62 [.300]	10.16 [.400]	8	1-87499-4
-	ALL	20.45 [.805]	7.62 [.300]	10.16 [.400]	8	1-87499-3
-	-	15.37 [.605]	5.08 [.200]	7.62 [.300]	6	1-87499-2
-	ALL	15.37 [.605]	5.08 [.200]	7.62 [.300]	6	1-87499-1
-	-	12.83 [.505]	5.08 [.200]	5.08 [.200]	5	1-87499-0
-	ALL	12.83 [.505]	5.08 [.200]	5.08 [.200]	5	87499-9
-	-	10.29 [.405]	2.54 [.100]	5.08 [.200]	4	87499-8
-	ALL	10.29 [.405]	2.54 [.100]	5.08 [.200]	4	87499-7
-	-	7.75 [.305]	2.54 [.100]	2.54 [.100]	3	87499-6
-	ALL	7.75 [.305]	2.54 [.100]	2.54 [.100]	3	87499-5
-	-	5.21 [.205]	-	2.54 [.100]	2	87499-4
-	ALL	5.21 [.205]	-	2.54 [.100]	2	87499-3
-	-	17.91 [.705]	7.62 [.300]	7.62 [.300]	7	87499-2
-	ALL	17.91 [.705]	7.62 [.300]	7.62 [.300]	7	87499-1

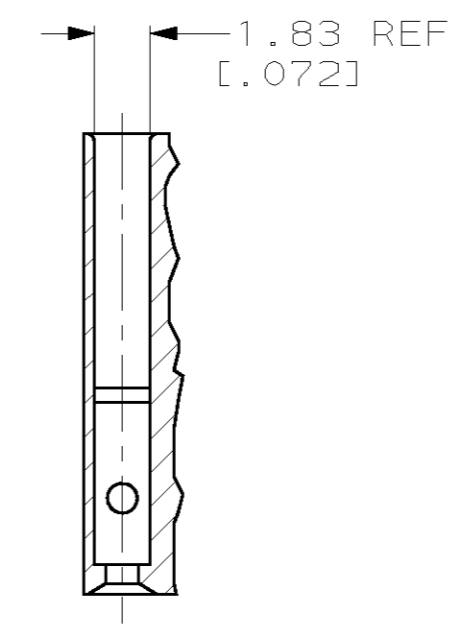
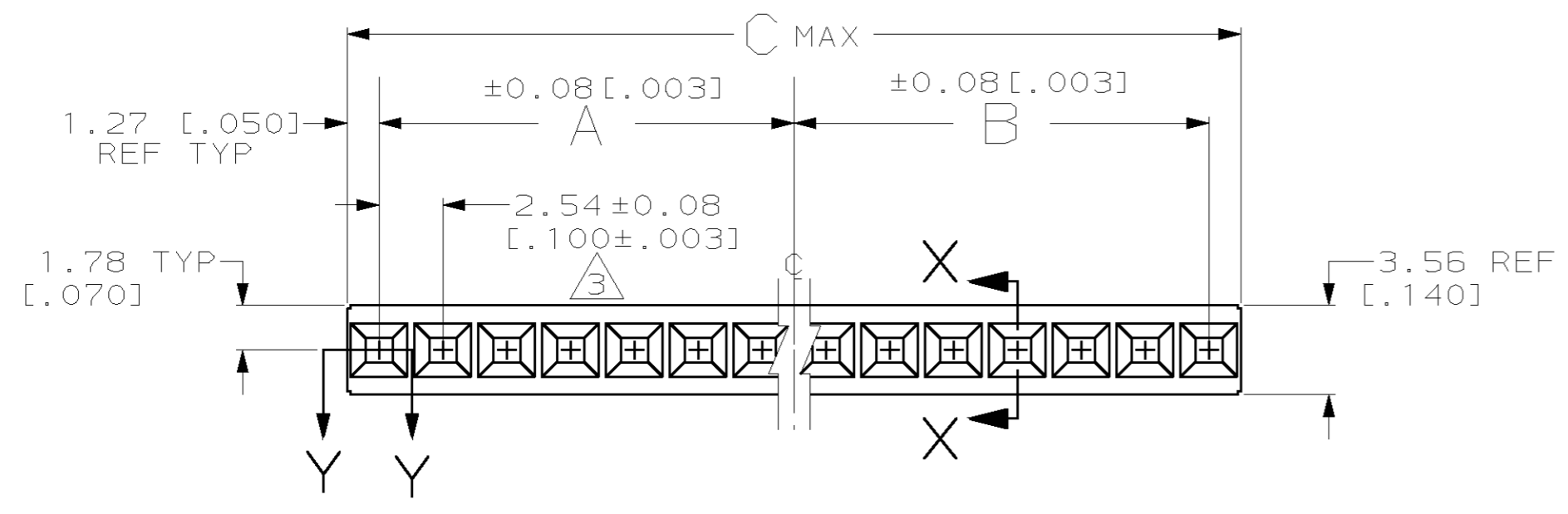
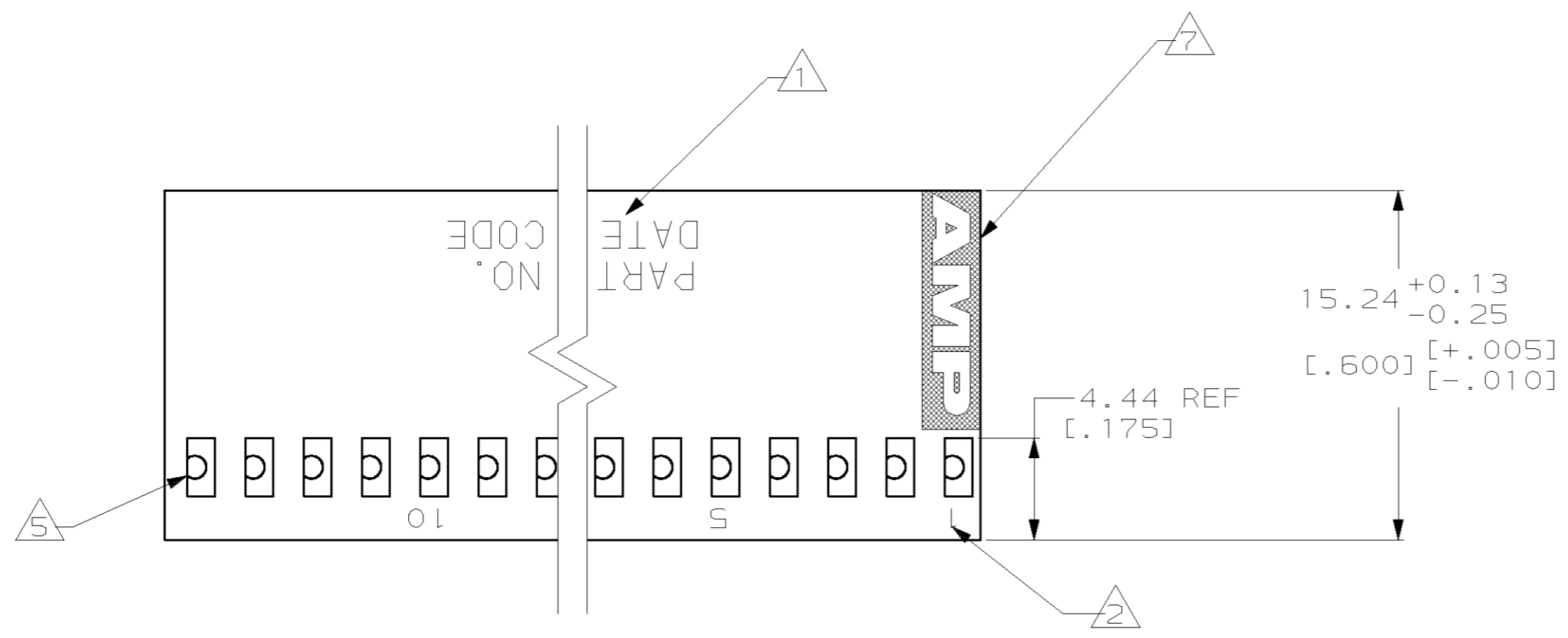
NOTES	MARKING	C	B	A	NO OF POSN	PART NUMBER
-------	---------	---	---	---	------------	-------------

MARKING	C	B	A	NO OF POSN	PART NUMBER
---------	---	---	---	------------	-------------

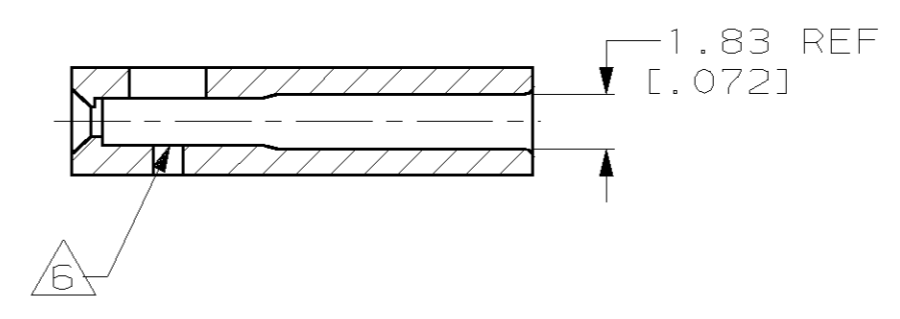
THIS DRAWING IS A CONTROLLED DOCUMENT FOR AMP INCORPORATED. IT IS SUBJECT TO CHANGE AND THE CONTROLLING ENGINEERING ORGANIZATION SHOULD BE CONTACTED FOR THE LATEST REVISION.		DWN E. BRANDBERG 21-JUN-95	AMP AMP Incorporated Harrisburg, PA 17105-3608
DIMENSIONS: mm [INCH]		CHK S. SHUEY 21-JUN-95	
		APVD D. DUPLER 21-JUN-95	NAME HOUSING, MOD IV, SINGLE ROW, .100 CL, CRIMP SNAP-IN
TOLERANCES UNLESS OTHERWISE SPECIFIED: 0 PLC ± 1 PLC ± 2 PLC ±0.13(.005) 3 PLC ± 4 PLC ± ANGLES ± FINISH -		PRODUCT SPEC -	SIZE A2
MATERIAL FLAME RETARDANT THERMOPLASTIC PER ASTM D4066 COLOR - BLACK		APPLICATION SPEC -	CAGE CODE 00779
		WEIGHT -	DRAWING NO C-87499
		CUSTOMER DRAWING	SCALE 4:1
			SHEET 1 OF 2
			REV U

THIS DRAWING IS UNPUBLISHED. RELEASED FOR PUBLICATION .19 .
 (C) COPYRIGHT 19 BY AMP INCORPORATED. ALL RIGHTS RESERVED.

LOC	DIST	REVISIONS			
P	LTR	DESCRIPTION	DATE	DWN	APVD
AD	39	SEE SHEET 1	-	-	-



SECTION Y-Y



SECTION X-X

- ① PART NO & DATE CODE MARKED (WHITE), .062±.015 HIGH CHARS. IN APPROX. AREA SHOWN WHEN HOUSING SIZE PERMITS.
- ② CAVITY IDENT. MARKED (WHITE), .046±.015 HIGH CHARS., FIRST & EVERY FIFTH CAVITY, ONE SIDE AS SHOWN.
- ③ TOLERANCE NON-CUMULATIVE.
- 4. USE EXTRACTION TOOL 91052-1 TO REMOVE RECEPTACLE CONTACTS.
- ⑤ OPTIONAL FOR SUBSIDIARY ONLY.
- ⑥ FLASH ALLOWED TO BE .015 IN THIS AREA.
- ⑦ AMP LOGO MOLDED IN TEXTURED AREA AS SHOWN.

<small>THIS DRAWING IS A CONTROLLED DOCUMENT FOR AMP INCORPORATED. IT IS SUBJECT TO CHANGE AND THE CONTROLLING ENGINEERING ORGANIZATION SHOULD BE CONTACTED FOR THE LATEST REVISION.</small>		DWN E. BRANDBERG 21-JUN-95 CHK S. SHUEY 21-JUN-95 APVD D. DUPLER 21-JUN-95	AMP AMP Incorporated Harrisburg, PA 17105-3608
DIMENSIONS: mm [INCH]	TOLERANCES UNLESS OTHERWISE SPECIFIED: 0 PLC ±- 1 PLC ±- 2 PLC ±0.13 [0.005] 3 PLC ±- 4 PLC ±- ANGLES ±- FINISH -	NAME PRODUCT SPEC APPLICATION SPEC WEIGHT	HOUSING, MOD IV, SINGLE ROW, .100 CL, CRIMP SNAP-IN SIZE A2 CAGE CODE 00779 DRAWING NO. C-87499 SCALE 4:1 SHEET 2 OF 2 REV U
MATERIAL FLAME RETARDANT THERMOPLASTIC COLOR - BLACK		CUSTOMER DRAWING	

87499