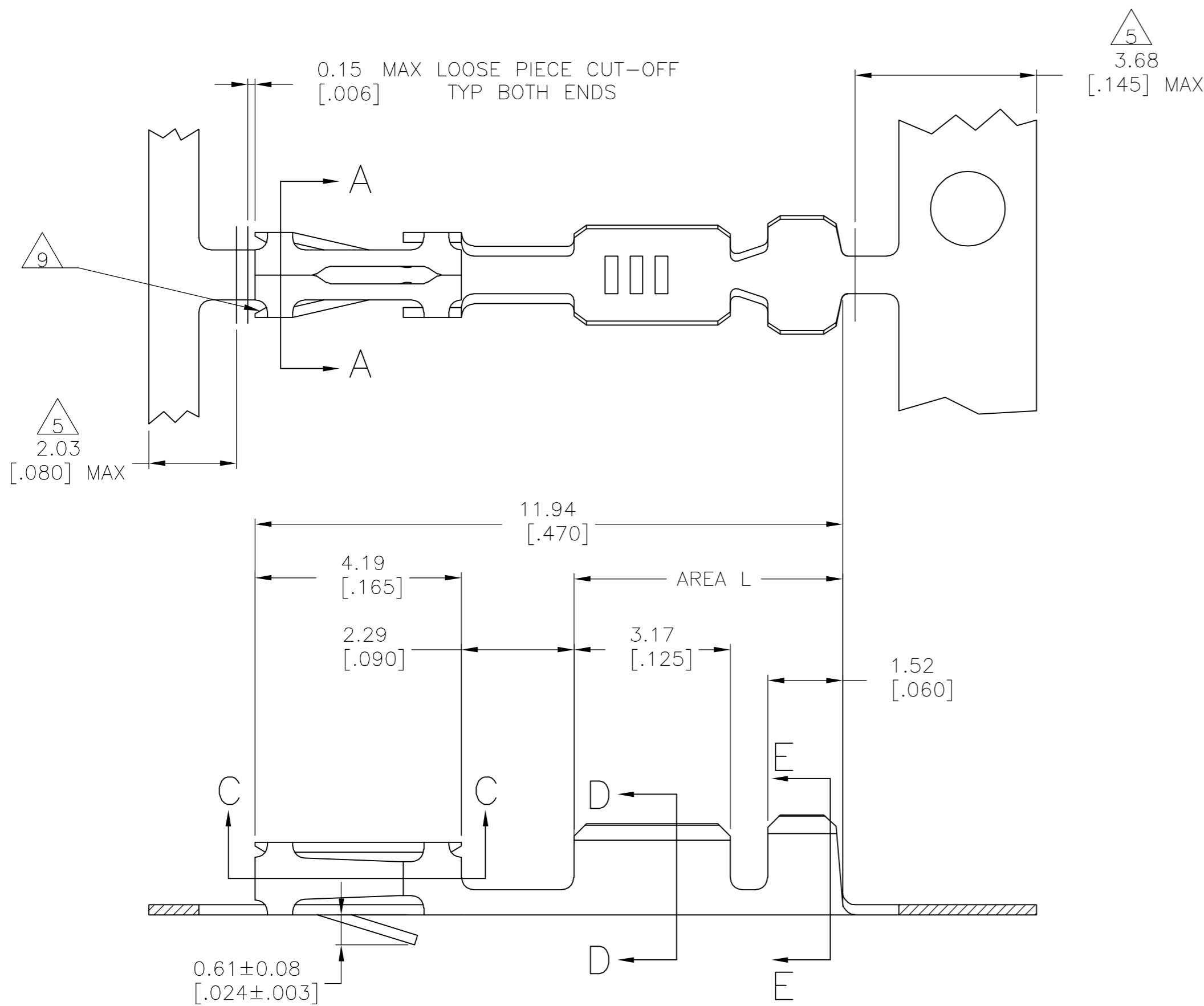
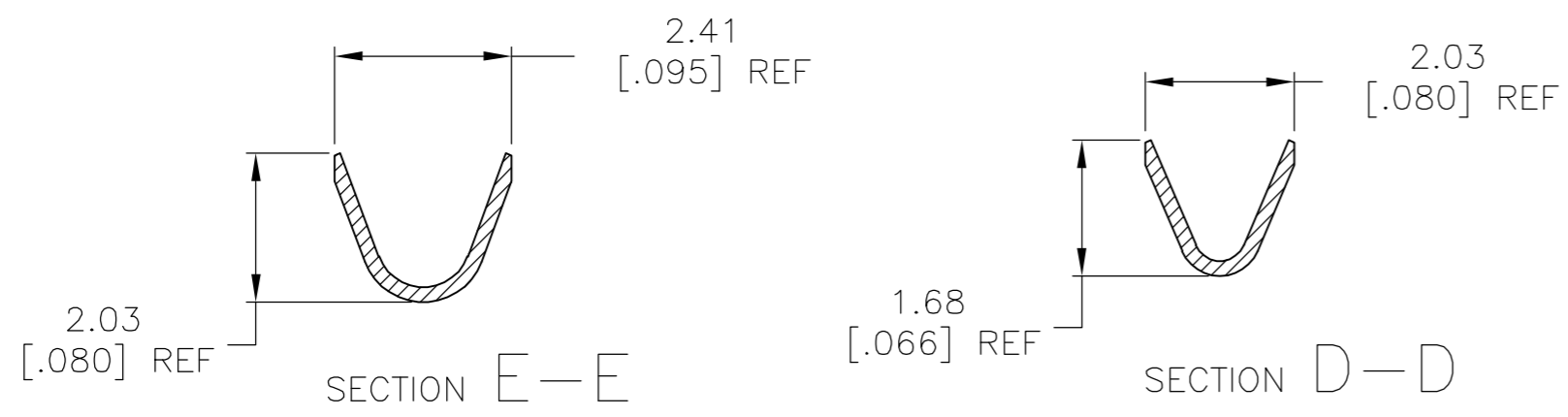
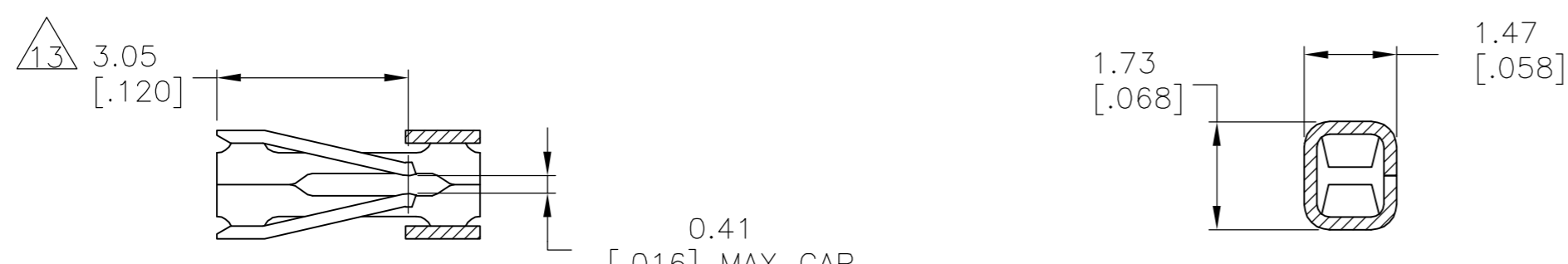


THIS DRAWING IS UNPUBLISHED. RELEASED FOR PUBLICATION  
 © COPYRIGHT BY TYCO ELECTRONICS CORPORATION. ALL RIGHTS RESERVED.

LOC		DIST		REVISIONS			
P	LTR	DESCRIPTION		DATE	DWN	APVD	
AD	00	U	ECO-05-007262	12JAN06	BSV	MM	



- 1 GOLD FLASH OVER 0.00127[.000050] NICKEL,.000762[.000030] GOLD ON CONTACT AREA.
- 2 GOLD FLASH OVER 0.00127[.000050] NICKEL,.000381[.000015] GOLD ON CONTACT AREA.
- 3 PREPLATED .00127-.00381 (.000050-.000150) BRIGHT TIN.
- 4 REELED FOR MINI APPLICATOR.
- 5 GOLD PLATING NOT REQUIRED - THIS AREA.
- 6 REELED FOR STANDARD APPLICATOR
- 7 0.000127[.000050] NICKEL OVER ENTIRE CONTACT, 0.000381[.000015] GOLD IN CONTACT AREA.
- 8 SHEARED EDGES ARE PERMITTED TO BE UNPLATED.
- 9 CUT OUTS ON BOX AT MANUFACTURER'S OPTION.
- 10 0.000381[.000015] GOLD IN CONTACT AREA. 0.00254-0.00508[.000100-.000200] BRIGHT TIN-LEAD IN AREA L, ALL OVER 0.000127[.000050] NICKEL.
- 11 0.000762[.000030] GOLD IN CONTACT AREA. 0.00254-0.00508[.000100-.000200] BRIGHT TIN-LEAD IN AREA L, ALL OVER 0.000127[.000050] NICKEL.
- 12 OBSOLETE PART NUMBER.
- 13 POINT OF MEASUREMENT FOR PLATING THICKNESS(INSIDE BEAMS).
- 14 0.000127[.000050] NICKEL OVER ENTIRE CONTACT, 0.000762[.000030] GOLD IN CONTACT AREA.
- 15 .000015 GOLD IN CONTACT AREA. .000100-.000200 BRIGHT TIN IN AREA L, ALL OVER .000050 NICKEL.
- 16 0.000762[.000030] GOLD IN CONTACT AREA. 0.00254-0.00508[.000100-.000200] MATTE TIN IN AREA L, ALL OVER 0.000127[.000050] NICKEL.



WIRE SIZE #20-#24

	LOOSE PIECE	8/16	6-87523-9
	REELED 4	8/16	6-87523-8
	LOOSE PIECE	5/15	2-87523-4
	REELED 4	8/15	2-87523-3
	REELED 6	8/7	2-87523-2
	REELED 6	8/4	2-87523-1
	LOOSE PIECE	8/11	1-87523-9
	REELED 4	8/11	1-87523-8
	LOOSE PIECE	8/10	1-87523-6
	REELED 4	8/10	1-87523-5
OBSOLETE	LOOSE PIECE	7/8	1-87523-4
OBSOLETE	REELED 4	7/8	1-87523-3
OBSOLETE	REELED 6	3	1-87523-0
OBSOLETE	REELED 6	2/5	87523-9
OBSOLETE	REELED 6	1/5	87523-8
	LOOSE PIECE	2/5	87523-7
	LOOSE PIECE	3	87523-6
	REELED 4	3	87523-5
	REELED 4	2/5	87523-4
	LOOSE PIECE	1/5	87523-3
	REELED 4	1/5	87523-2
	DESCRIPTION	FINISH	PART NUMBER

THIS DRAWING IS A CONTROLLED DOCUMENT.		DWN	E.BRANDBERG	5-5-94	<b>tyco</b> Electronics	Tyco Electronics Corporation	
DIMENSIONS: mm [INCHES]		CHK	B. STAUCH	5-5-94		Harrisburg, Pa 17105-3608	
TOLERANCES UNLESS OTHERWISE SPECIFIED:		APVD	B.STAUCH	5-5-94	NAME		
0 PLC	± -	PRODUCT SPEC		CONTACT, MOD IV			
1 PLC	± -	APPLICATION SPEC		CRIMP SNAP-IN RECEPTACLE			
2 PLC	± 0.13[.005]	-		SIZE	CAGE CODE	DRAWING NO	RESTRICTED TO
3 PLC	± -	-		A2	00779	C=87523	-
4 PLC	± -	-		WEIGHT	-		SCALE
ANGLES	± -	-		CUSTOMER DRAWING		10:1	SHEET
FINISH	SEE TABLE	-		-		1	OF
MATERIAL		-		-		1	REV
CU-SN-P, ALY 521		-		-		U	