

Distributed by:

JAMECO[®]
ELECTRONICS

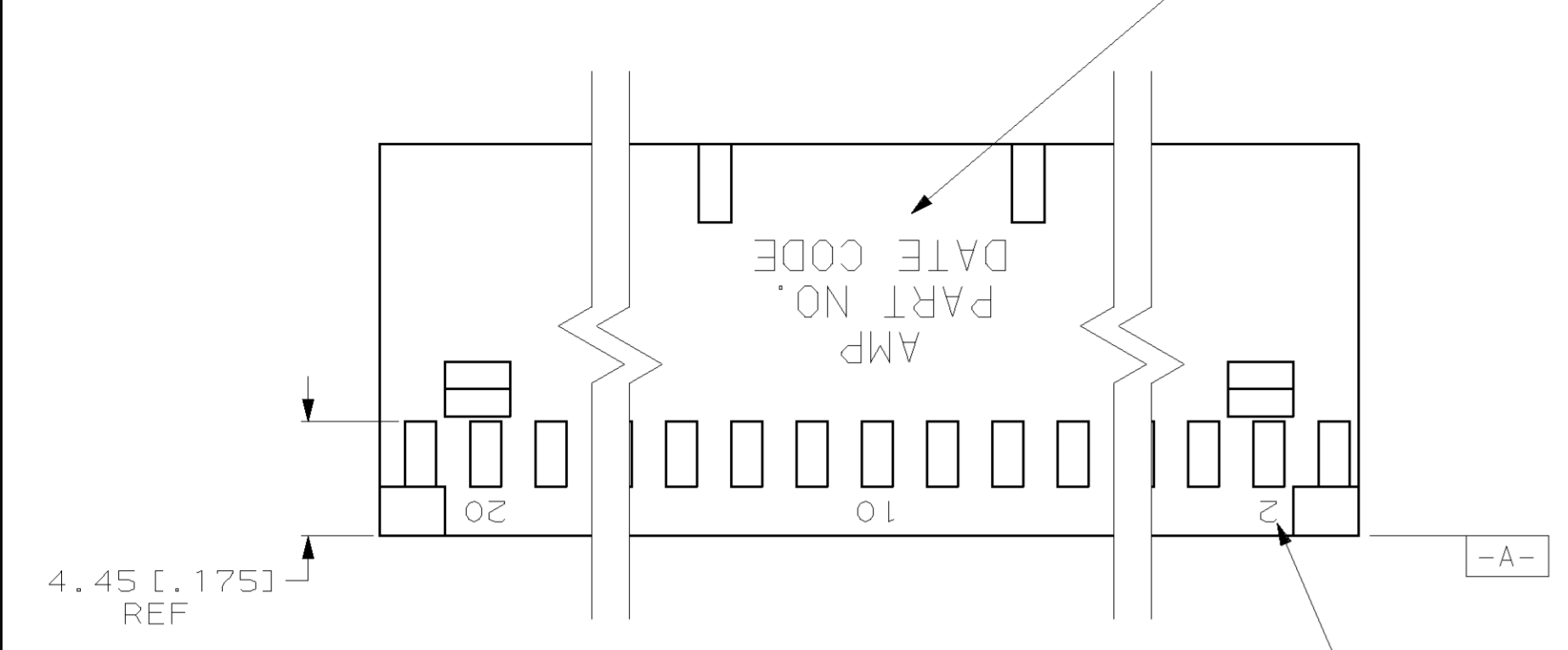
www.Jameco.com ♦ 1-800-831-4242

The content and copyrights of the attached
material are the property of its owner.

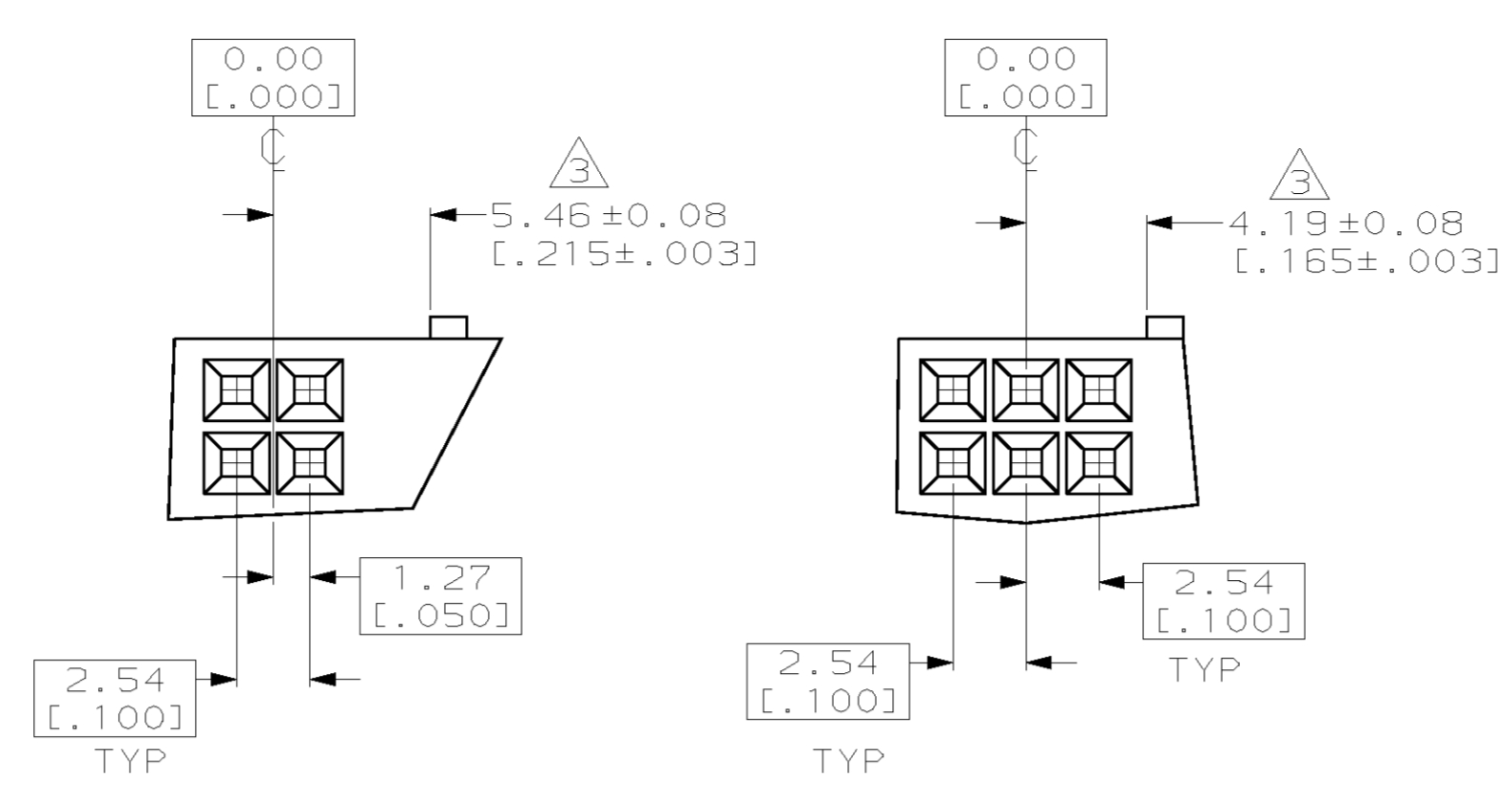
Jameco Part Number 841328

REV. NO.		DATE		DESCRIPTION		DATE	BY	APPV
AD	39			V	REV PER	OG3C-0203-04	140CT04	JR DS

"AMP", PART NO. & DATE CODE MARKED (WHITE) 1.58±0.38 [.062±.015] HIGH CHARS. IN AREA SHOWN WHEN HOUSING SIZE PERMITS

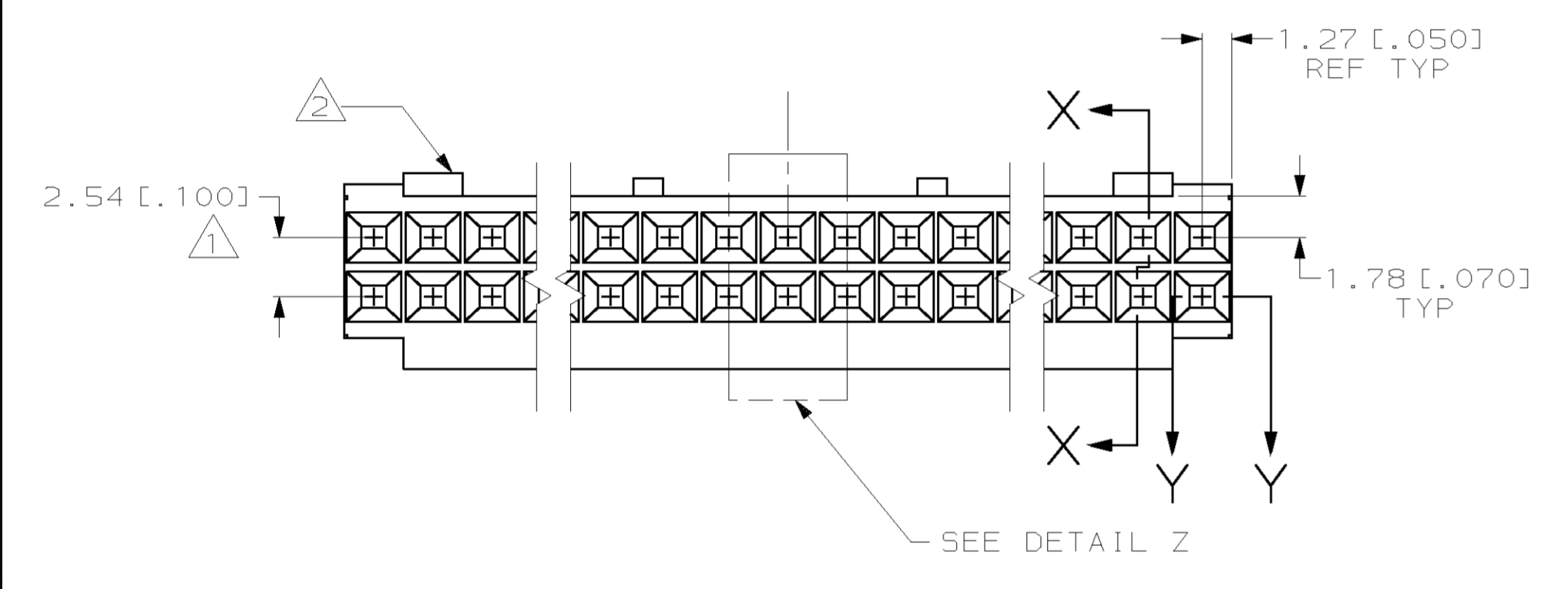


CAVITY IDENT. MARKED (WHITE) 1.17±0.38 [.046±.015] HIGH CHARS. SECOND AND EVERY FIFTH CAVITY, ONE SIDE.

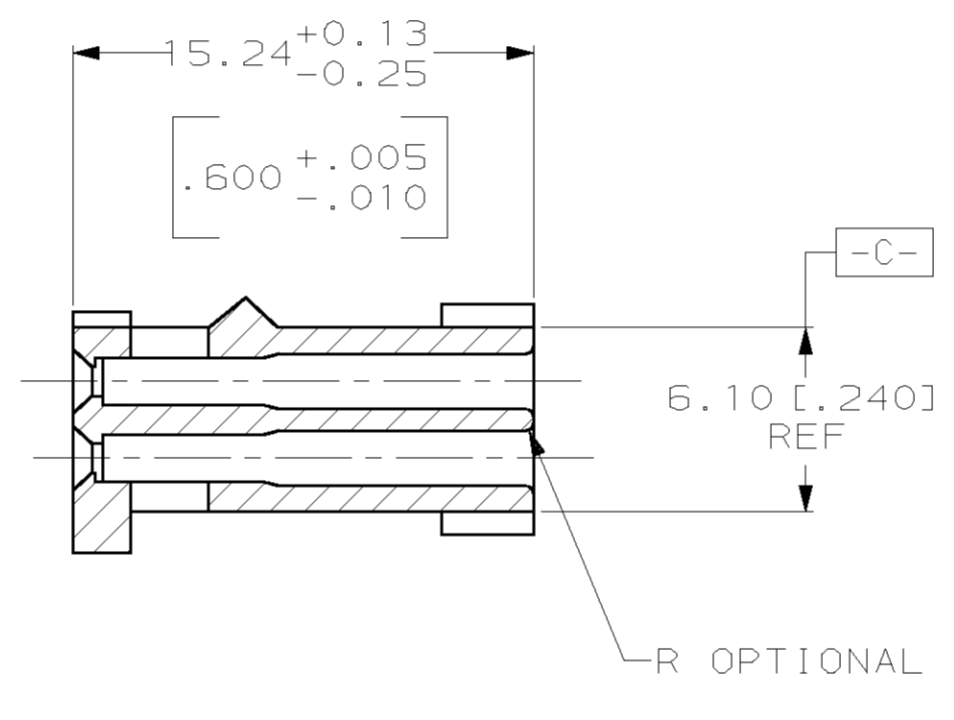


BASIC DIMENSION FOR ODD NUMBER OF SPACES (SEE THE TABLE)
 BASIC DIMENSION FOR EVEN NUMBER OF SPACES (SEE THE TABLE)

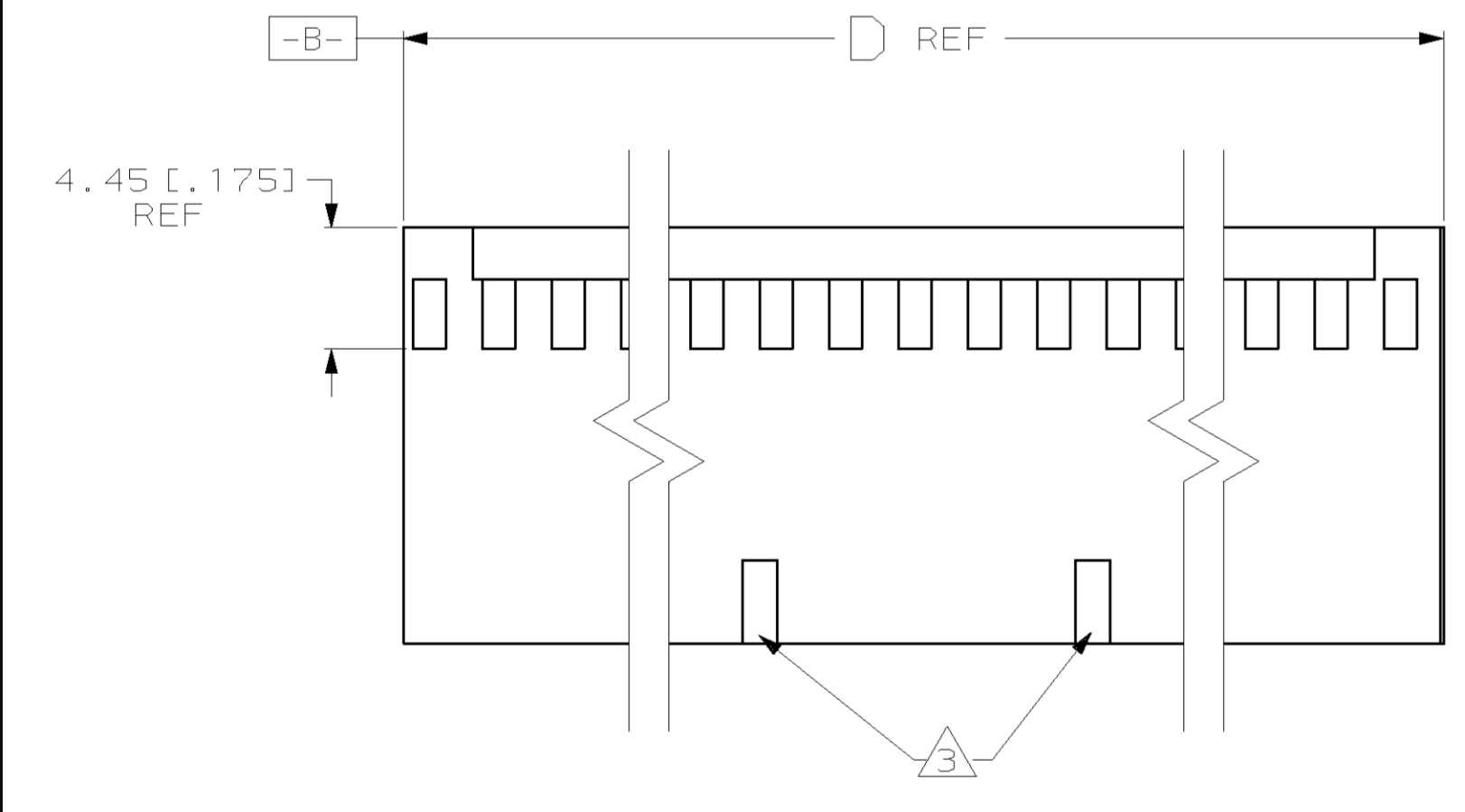
DETAIL Z



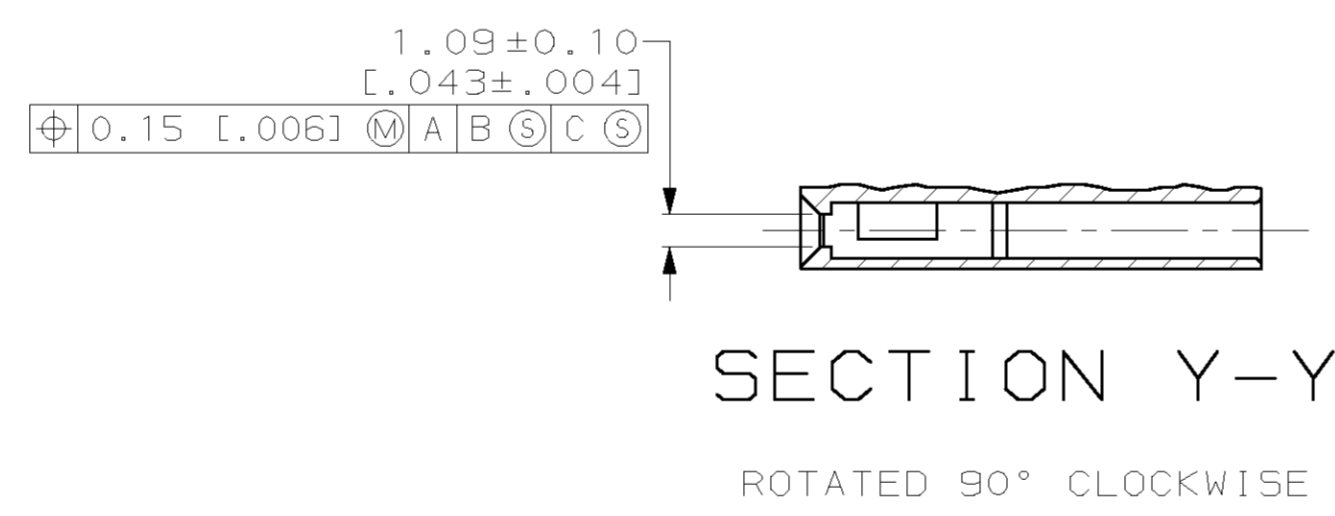
SEE DETAIL Z



SECTION X-X



SECTION B-B



SECTION Y-Y
 ROTATED 90° CLOCKWISE

- 2 SEE TABLE FOR NUMBER OF DETENTS. DETENT ON THIS SIDE FOR HOUSINGS WITH ONE DETENT.
- 3 STRAIN RELIEF LOCATORS WILL APPEAR ON 20 POSITION AND LARGER HOUSINGS.
- 4. USE EXTRACTION TOOL 91052-1 TO REMOVE RECEPTACLE CONTACTS.
- 5. THESE HOUSINGS ARE COMPATIBLE WITH ANY MOD II SHROUDED HEADER.
- 6. HOUSINGS WILL ACCOMMODATE #20-24 AWG WIRE, 1.75 [.069] MAX. INSULATION DIA. OR #26-30 AWG WIRE, 1.17 [.046] MAX. INSULATION DIA.
- MATERIAL: FLAME RETARDANT GLASS FILLED NYLON, COLOR: BLACK PER ASTM D4066

REV. NO.	DESCRIPTION	DATE	BY	APPV
OBSOLETE	ALL	2	81.28 [3.200]	31 64 6-87631-6
	NONE	2	81.28 [3.200]	31 64 6-87631-5
OBSOLETE	ALL	2	73.66 [2.900]	28 58 6-87631-4
	NONE	2	73.66 [2.900]	28 58 6-87631-3
OBSOLETE	-	-	-	- 6-87631-2
	-	-	-	- 6-87631-1
OBSOLETE	ALL	2	60.96 [2.400]	23 48 6-87631-0
	NONE	2	60.96 [2.400]	23 48 5-87631-9
OBSOLETE	ALL	2	88.90 [3.800]	35 72 5-87631-8
	NONE	2	88.90 [3.800]	35 72 5-87631-7
OBSOLETE	ALL	2	88.90 [3.500]	34 70 5-87631-6
	NONE	2	88.90 [3.500]	34 70 5-87631-5
OBSOLETE	ALL	2	83.82 [3.300]	32 66 5-87631-4
	NONE	2	83.82 [3.300]	32 66 5-87631-3
	ALL	2	76.20 [3.000]	29 60 5-87631-2
	NONE	2	76.20 [3.000]	29 60 5-87631-1
OBSOLETE	-	-	-	- 5-87631-0
OBSOLETE	-	-	-	- 4-87631-9
OBSOLETE	-	-	-	- 4-87631-8
OBSOLETE	-	-	-	- 4-87631-7
OBSOLETE	ALL	2	68.58 [2.700]	26 54 4-87631-6
	NONE	2	68.58 [2.700]	26 54 4-87631-5
OBSOLETE	ALL	2	66.04 [2.600]	25 52 4-87631-4
	NONE	2	66.04 [2.600]	25 52 4-87631-3
	ALL	2	63.50 [2.500]	24 50 4-87631-2
	NONE	2	63.50 [2.500]	24 50 4-87631-1
	ALL	2	55.88 [2.200]	21 44 4-87631-0
	NONE	2	55.88 [2.200]	21 44 3-87631-9
OBSOLETE	ALL	2	53.34 [2.100]	20 42 3-87631-8
	NONE	2	53.34 [2.100]	20 42 3-87631-7
	ALL	2	50.80 [2.000]	19 40 3-87631-6
	NONE	2	50.80 [2.000]	19 40 3-87631-5
OBSOLETE	ALL	2	48.26 [1.900]	18 38 3-87631-4
	NONE	2	48.26 [1.900]	18 38 3-87631-3
OBSOLETE	ALL	2	45.72 [1.800]	17 36 3-87631-2
	NONE	2	45.72 [1.800]	17 36 3-87631-1
	ALL	2	43.18 [1.700]	16 34 3-87631-0
	NONE	2	43.18 [1.700]	16 34 2-87631-9
	ALL	2	40.64 [1.600]	15 32 2-87631-8
	NONE	2	40.64 [1.600]	15 32 2-87631-7
	ALL	2	38.10 [1.500]	14 30 2-87631-6
	NONE	2	38.10 [1.500]	14 30 2-87631-5
	ALL	2	35.56 [1.400]	13 28 2-87631-4
	NONE	2	35.56 [1.400]	13 28 2-87631-3
	ALL	2	33.02 [1.300]	12 26 2-87631-2
	NONE	2	33.02 [1.300]	12 26 2-87631-1
	ALL	2	30.48 [1.200]	11 24 2-87631-0
	NONE	2	30.48 [1.200]	11 24 1-87631-9
	ALL	2	27.94 [1.100]	10 22 1-87631-8
	NONE	2	27.94 [1.100]	10 22 1-87631-7
	ALL	2	25.40 [1.000]	9 20 1-87631-6
	NONE	2	25.40 [1.000]	9 20 1-87631-5
	ALL	1	22.86 [.900]	8 18 1-87631-4
	NONE	1	22.86 [.900]	8 18 1-87631-3
	ALL	1	20.32 [.800]	7 16 1-87631-2
	NONE	1	20.32 [.800]	7 16 1-87631-1
	ALL	1	17.78 [.700]	6 14 1-87631-0
	NONE	1	17.78 [.700]	6 14 87631-9
	ALL	1	15.24 [.600]	5 12 87631-8
	NONE	1	15.24 [.600]	5 12 87631-7
	ALL	1	12.70 [.500]	4 10 87631-6
	NONE	1	12.70 [.500]	4 10 87631-5
	ALL	1	10.16 [.400]	3 8 87631-4
	NONE	1	10.16 [.400]	3 8 87631-3
	ALL	1	7.62 [.300]	2 6 87631-2
	NONE	1	7.62 [.300]	2 6 87631-1

MARKING	NO. OF DETENTS	D	NO. OF SPACES	NO. OF POSN	PART NUMBER