

Distributed by:

JAMECO[®]
ELECTRONICS

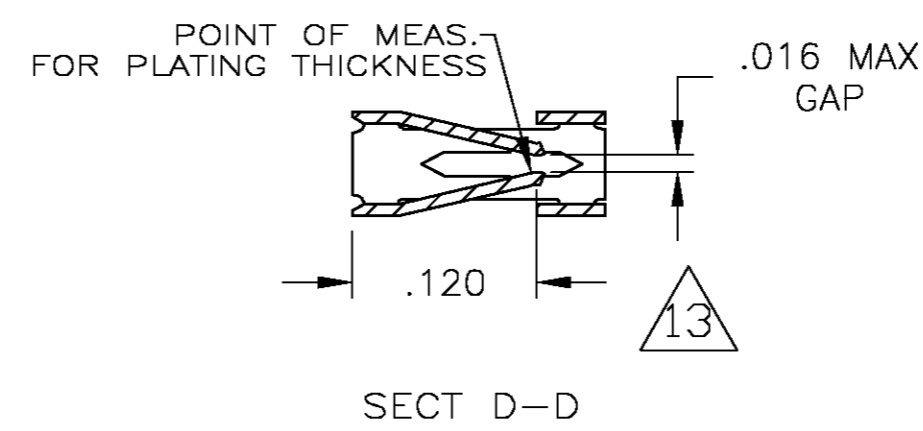
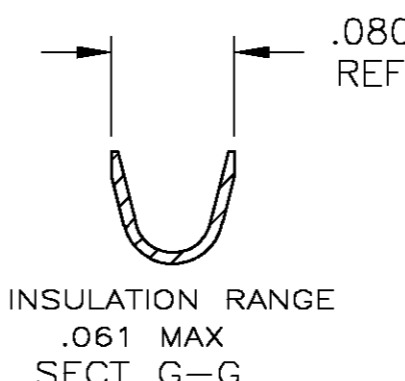
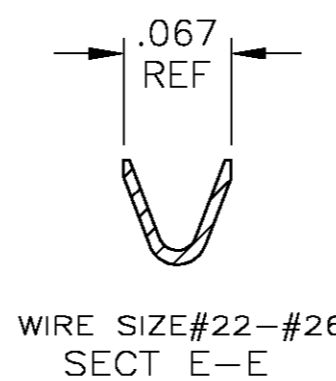
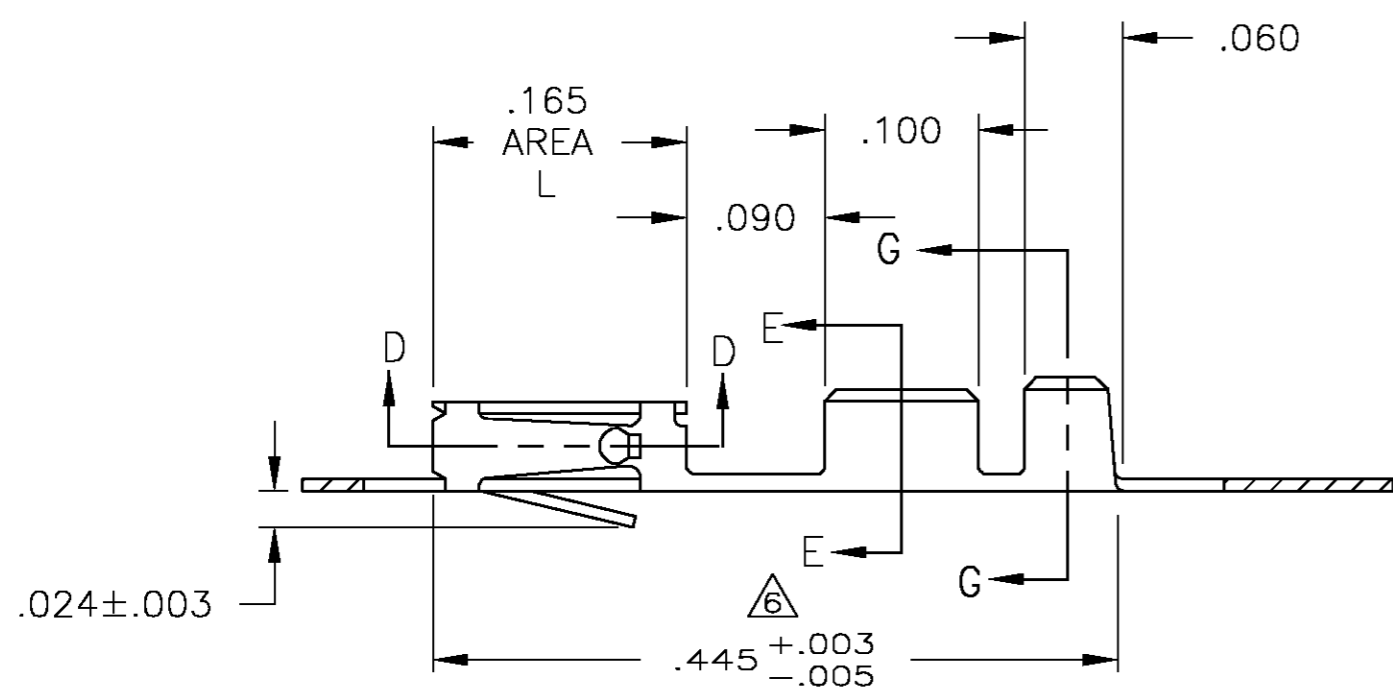
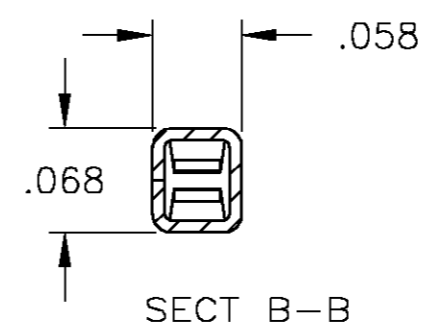
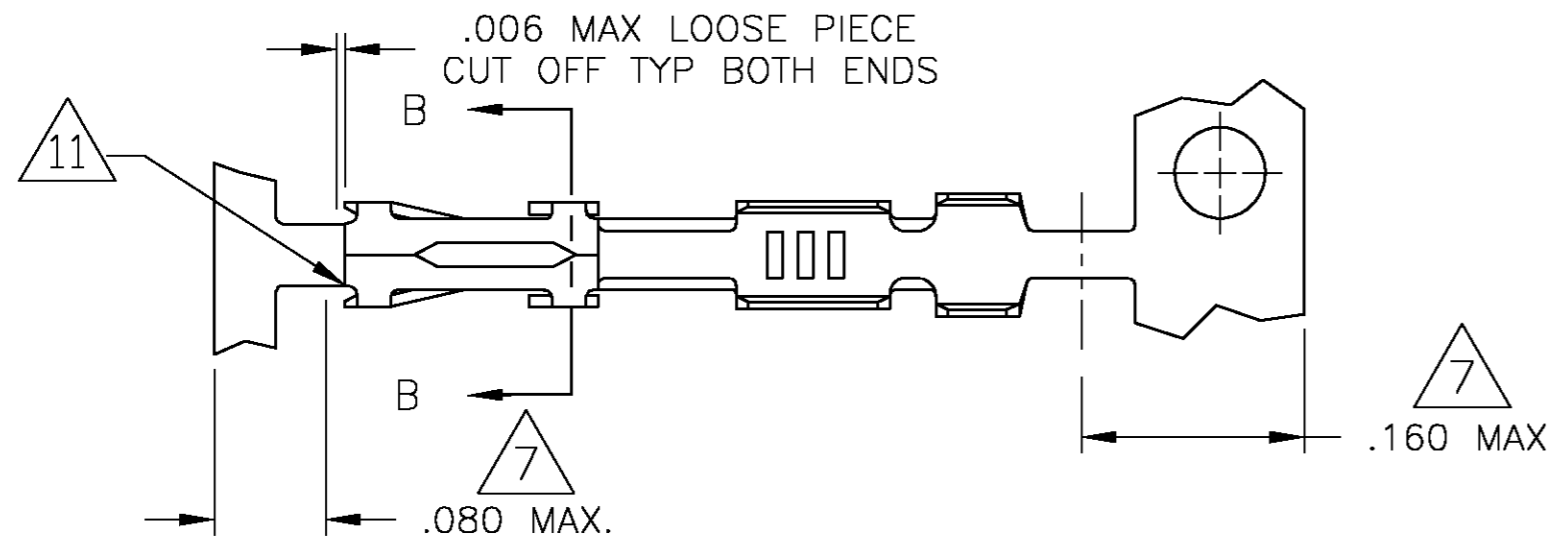
www.Jameco.com ♦ 1-800-831-4242

The content and copyrights of the attached
material are the property of its owner.

Jameco Part Number 1405843

THIS DRAWING IS UNPUBLISHED. RELEASED FOR PUBLICATION
 © COPYRIGHT BY TYCO ELECTRONICS CORPORATION. ALL RIGHTS RESERVED.

LOC		DIST		REVISIONS			
P	LTR	DESCRIPTION		DATE	DWN	APVD	
AD	00	P		REV PER 0G3C-0600-03	15MAR04	MB	DLS



- 1 REELED FOR MINI APPLICATOR
- 2 .000030 GOLD OVER .000050 NICKEL
- 3 GOLD FLASH OVER NICKEL, .000030 GOLD ON CONTACT AREA
- 4 PREPLATED:(HALT).000078-.000158 BRIGHT TIN
- 5 .000050 GOLD OVER .000050 NICKEL
- 6 GOLD FLASH OVER NICKEL, .000015 GOLD ON CONTACT AREA
- 7 GOLD PLATING NOT REQUIRED IN THIS AREA
- 8 .000050 GOLD ON CONTACT AREA, GOLD FLASH AREA L OVER .000050/.000100 NICKEL ENTIRE CONTACT
- 9 SHEARED EDGES MAY BE UNPLATED
- 10 REELED FOR STANDARD APPLICATOR
- 11 CUT OUTS ON BOX AT MANUFACTURER'S OPTION
- 12 OBSOLETE PART NUMBER
- 13 PT.OF MEAS.FOR PLATING THICKNESS(INSIDE BEAMS)
- 14 .000015 GOLD IN THE CONTACT AREA, .000050 NICKEL OVER THE ENTIRE TERMINAL

		12 -7	9 14	1-87666-9
9	1-	12 -7	8 7	1-87666-6
	1-	12 -1	6 7	87666-5
	1-	12 -0	5 7	87666-4
		12 -9	4	87666-3
		12 -8	3 7	87666-2
		12 -7	2 7	87666-1
PART NO.		LOOSE PIECE PART NO.	FINISH	1 PART NO.

THIS DRAWING IS A CONTROLLED DOCUMENT. DWN E.C.CLAYBAUGH 8/03/98
 CHK -
 APVD -
 NAME AMP Tyco Electronics Corporation Harrisburg, PA 17105
 PRODUCT SPEC -
 APPLICATION SPEC -
 WEIGHT -
 CUSTOMER DRAWING

DIMENSIONS: INCHES
 TOLERANCES UNLESS OTHERWISE SPECIFIED:
 0 PLC ± -
 1 PLC ± -
 2 PLC ± -
 3 PLC ± .005
 4 PLC ± -
 ANGLES ± -
 FINISH SEE TABLE

MATERIAL BERYLLIUM COPPER .008 THK. COML.

SIZE A2 CAGE CODE 00779 DRAWING NO C=87666 RESTRICTED TO -
 SCALE 8:1 SHEET 1 OF 1 REV P