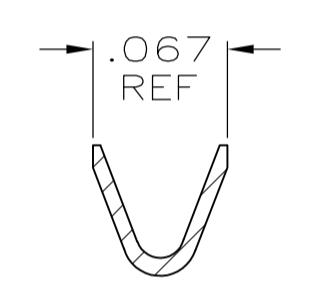
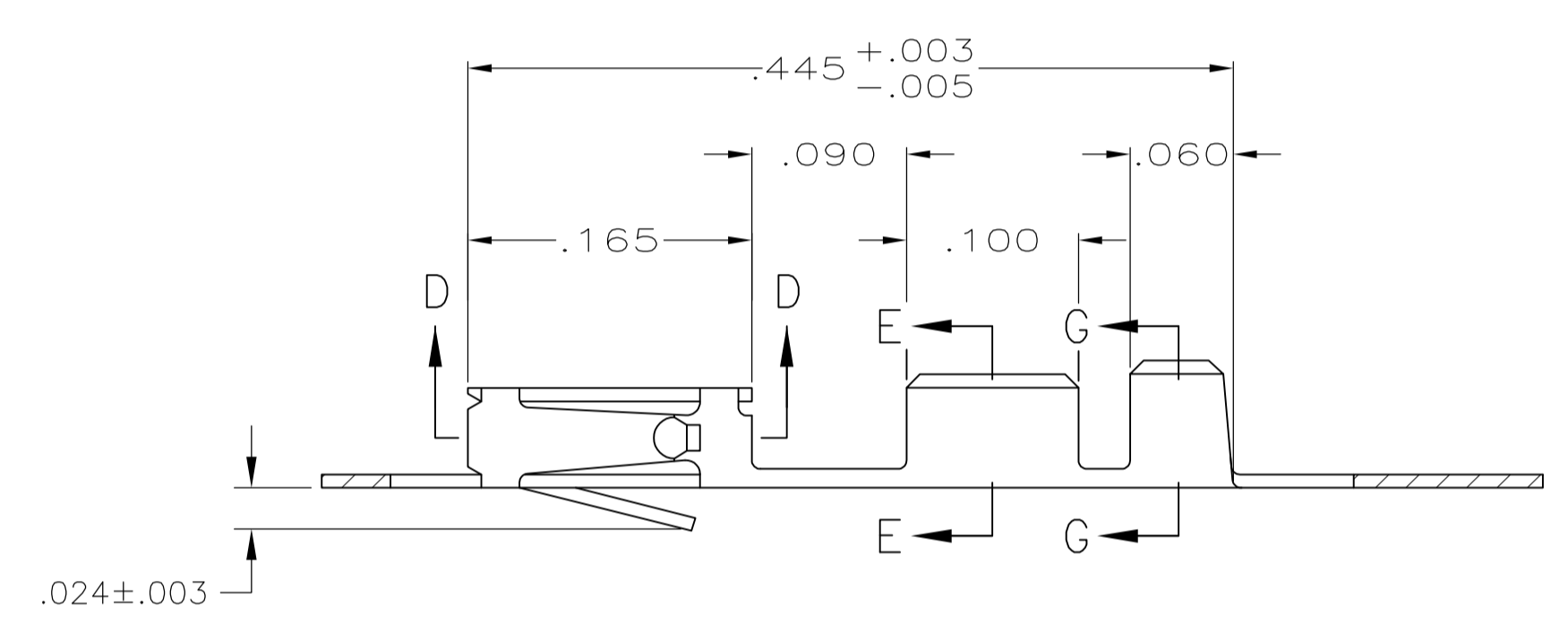
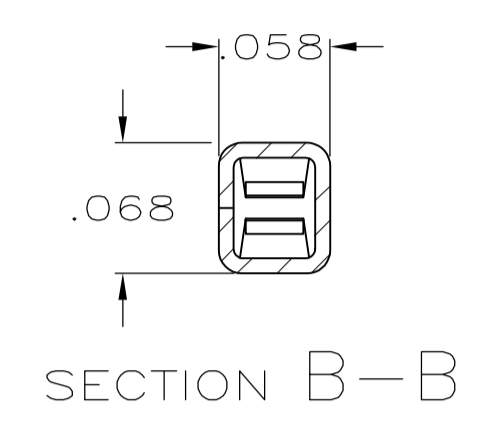
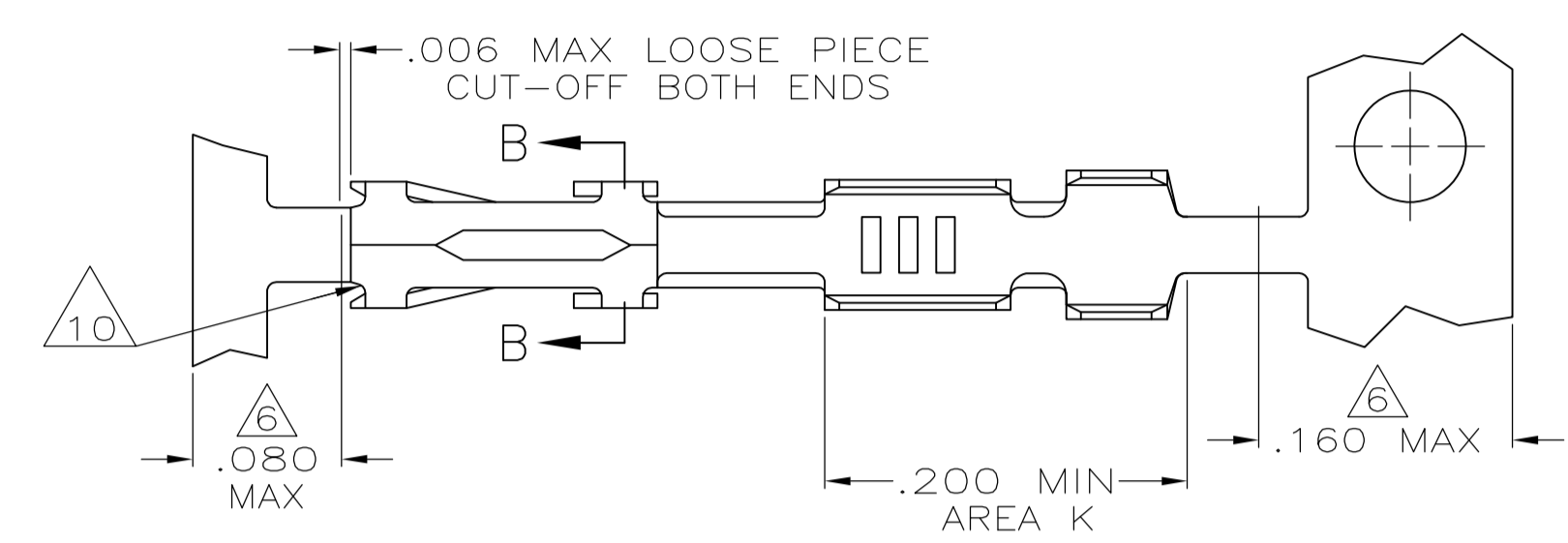
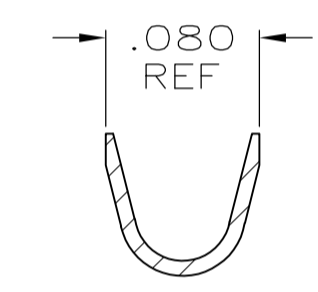


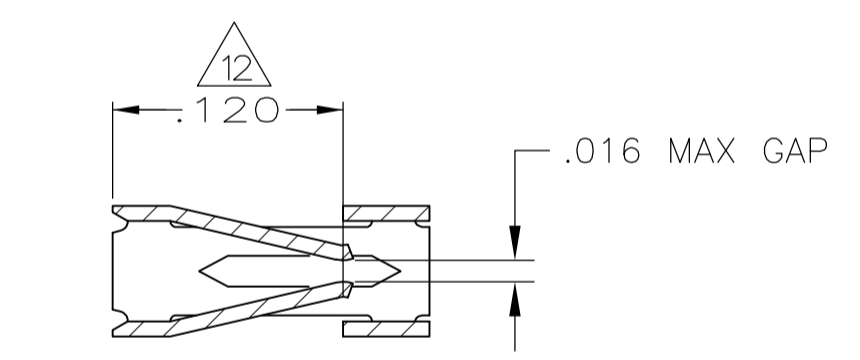
- 1 REELED FOR MINI-APPLICATOR.
- 2 GOLD FLASH OVER NICKEL, .000015 GOLD ON CONTACT AREA.
- 3 GOLD FLASH OVER NICKEL, .000030 GOLD ON CONTACT AREA.
- 4 PREPLATED 0.00127-0.00381 (.000050-.000150) BRIGHT TIN.
- 5 .000050 NICKEL ON ENTIRE CONTACT, .000015 GOLD IN CONTACT AREA.
- 6 GOLD PLATING NOT REQUIRED IN THIS AREA.
- 7 SHEARED EDGES PERMITTED TO BE UNPLATED.
- 8 .000050 NICKEL ENTIRE CONTACT, .000015 GOLD ON CONTACT AREA, .000100-.000200 BRIGHT TIN LEAD IN AREA K.
- 9 GOLD FLASH OVER NICKEL, .000050 GOLD ON CONTACT AREA.
- 10 CUT OUTS ON BOX AT MANUFACTURER'S OPTION.
- 11 .000030 GOLD IN CONTACT AREA, .000100-.000200 BRIGHT TIN-LEAD IN AREA K, ALL OVER .000050 NICKEL.
- 12 POINT OF MEASUREMENT FOR PLATING THICKNESS (INSIDE BEAMS).
- 13 .000030 GOLD IN CONTACT AREA, .000100-.000200 TIN IN AREA K, ALL OVER .000050 NICKEL.
- 14 .000050 NICKEL ENTIRE CONTACT, .000015 GOLD ON CONTACT AREA, .000100-.000200 TIN IN AREA K.



WIRE SIZE #22-#26
SECTION E-E



INSULATION RANGE .061 MAX
SECTION G-G



SECTION D-D

	LOOSE PIECE	REF	6-87756-8
	REELED	REF	6-87756-7
	LOOSE PIECE	REF	6-87756-6
	REELED	REF	6-87756-2
	LOOSE PIECE	REF	1-87756-8
	REELED	REF	1-87756-7
	LOOSE PIECE	REF	1-87756-6
OBSOLETE	LOOSE PIECE	REF	1-87756-4
	REELED	REF	1-87756-2
	REELED	REF	1-87756-1
OBSOLETE	REELED	REF	1-87756-0
	LOOSE PIECE	REF	87756-7
	REELED	REF	87756-6
	LOOSE PIECE	REF	87756-5
	REELED	REF	87756-4
	LOOSE PIECE	REF	87756-3
	REELED	REF	87756-2
DESCRIPTION	FINISH	PART NUMBER	

THIS DRAWING IS A CONTROLLED DOCUMENT.

DIMENSIONS: INCHES	TOLERANCES UNLESS OTHERWISE SPECIFIED:	DWG: L.D. RINGLEY 12-10-85	CHK: J. GESFORD 12-16-85	APPROV: J. GESFORD 12-16-85	NAME: J. GESFORD
0 PL ± -	1 PL ± -	PRODUCT SPEC: 108-25,020			
2 PL ± -	3 PL ± .005	APPLICATION SPEC: 114-25,003			
4 PL ± -	ANGLES ± -	MATERIAL: .008 THK CU-SN-P ALLOY 521	FINISH: SEE TABLE	WEIGHT: -	SIZE: A1
		CUSTOMER DRAWING		SCALE: 10:1	SHEET: 1 OF 1

STE TE Connectivity

CONTACT, FEMALE, MOD IV, CRIMP SNAP-IN

RESTRICTED TO: -