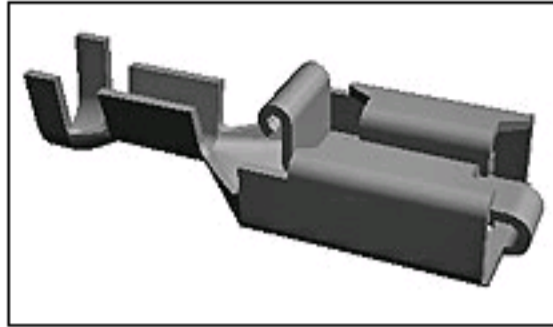




880645-6 Product Details

[Share](#) | [Print](#) | [Email](#)


880645-6

TE Internal Number: 880645-6

Active

[View 3D PDF](#)

Positive Lock Connectors

Always EU RoHS/ELV Compliant (Statement of Compliance)

Product Highlights:

- Contact
- Contact Type = Socket
- Mating Area Interface Dimensions = 6.35 x 0.41 mm
- Applies To Wire/Cable
- Line = Mark I

[View all Features](#)

Quick Links

- ▶ [Check Pricing & Availability](#)
- ▶ [Search for Tooling](#)
- ▶ [Product Feature Selector](#)
- ▶ [Contact Us About This Product](#)

[Add to My Part List](#) | [Request Sample](#) | [Find Similar Products](#) | [Buy Product](#)

Documentation & Additional Information

Product Drawings:

- [TERMINAL POSITIVE LOCK REC. \(PDF, English\)](#)

Catalog Pages/Data Sheets:

- None Available

Product Specifications:

- None Available

Application Specifications:

- None Available

Instruction Sheets:

- None Available

CAD Files: (CAD Format & Compression Information)

- [2D Drawing \(DXF, Version A\)](#)
- [3D Model \(IGES, Version A\)](#)
- [3D Model \(STEP, Version A\)](#)

Additional Information:

- [Product Line Information](#)

Related Products:

- [Tooling](#)

[List all Documents](#)

Product Features (Please use the Product Drawing for all design activity)

Product Type Features:

- [Product Type](#) = Contact
- [Receptacle Style](#) = Straight
- [Finish](#) = Pre-Tin
- [Keyed](#) = No

Dimensions:

- [Mating Area Interface Dimensions \(mm \[in\]\)](#) = 6.35 x 0.41 [.250 x .016]
- [Insulation Diameter \(mm \[in\]\)](#) = 2.70-4.00 [.106-.175]

Body Features:

- [Wire Range \(mm \[AWG\]\)](#) = 1.00-2.50² [17-13]
- [Material](#) = Brass
- [Position Keyed](#) = None

Contact Features:

- [Contact Type](#) = Socket

Industry Standards:

- [RoHS/ELV Compliance](#) = RoHS compliant, ELV compliant
- [Lead Free Solder Processes](#) = Not relevant for lead free process
- [RoHS/ELV Compliance History](#) = Always was RoHS compliant

Conditions for Usage:

- [Applies To](#) = Wire/Cable

Packaging Features:

- [Packaging Method](#) = Strip

Other:

- [Line](#) = Mark I
- [Brand](#) = TE Connectivity

Corporate Information

- [About TE](#)
- [Investors](#)
- [News Room](#)
- [Supplier Portal](#)
- [Careers](#)
- [Terms & Conditions](#)
- [Privacy Policy](#)

Quick Links

- [Check Distributor Inventory](#)
- [Cross Reference Products](#)
- [Find Documents & Drawings](#)
- [Product Compliance Support Center](#)
- [Site Map](#)

Customer Support

- [Email or Chat With Us](#)
- [Find a Phone Number](#)
- [Search Knowledge Base](#)
- [Manage Your Account](#)

Keep Me Informed

Receive TE News, Events & Technology Updates

