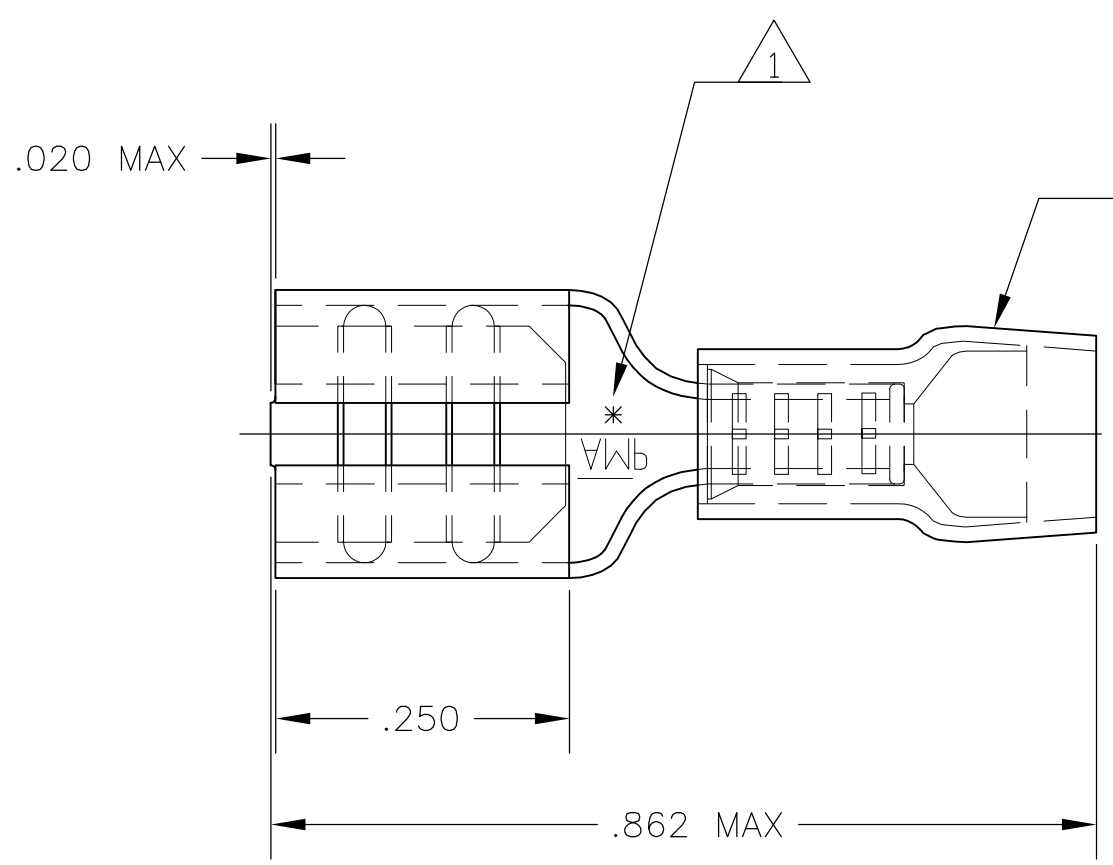
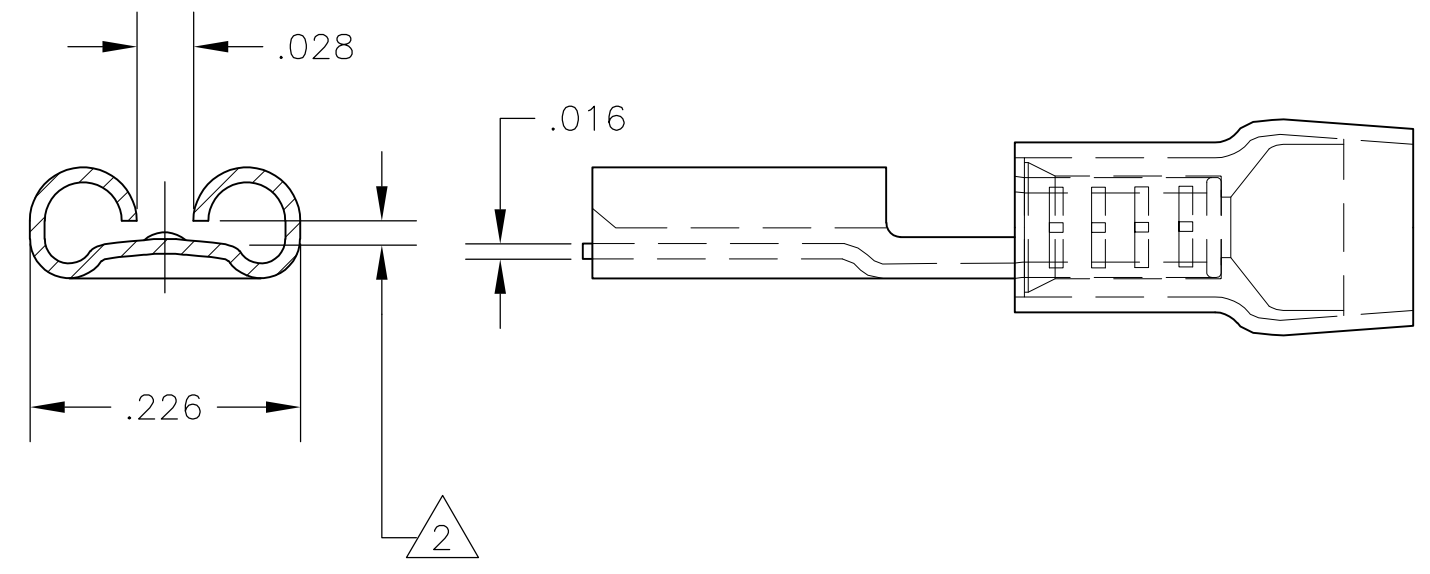


THIS DRAWING IS UNPUBLISHED. RELEASED FOR PUBLICATION  
 © COPYRIGHT - By - ALL RIGHTS RESERVED.


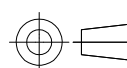
LOC	DIST	REVISIONS			
P	LTR	DESCRIPTION	DATE	DWN	APVD
G	02	H2	REVISED PER ECO-11-005027	11MAR11	RK HMR



1 ASTERISK \* FOR PHOS BRONZE ITEMS ONLY.  
 2 MATES WITH A .031 THK TAB



9-160479-5 ON TAPE	5-160479-5	
9-160479-2 ON TAPE	5-160479-2	
TIN	PHOS BRONZE	9-160479-5
TIN	BRASS	9-160479-2
FINISH	MATERIAL	ORDER NO.

THIS DRAWING IS A CONTROLLED DOCUMENT.		DWN jr_ruth 21MAY04	 TE Connectivity FASTON RECEPTACLE, PIDG .187 SERIES WIRE SIZE: 16-14 AWG					
DIMENSIONS: INCHES 		CHK T MICHELUTTI 21MAY04				NAME	SIZE	CAGE CODE
TOLERANCES UNLESS OTHERWISE SPECIFIED: 0 PLC ± - 1 PLC ± - 2 PLC ± - 3 PLC ± .005 4 PLC ± - ANGLES ± 5°		APVD T MICHELUTTI 21MAY04	PRODUCT SPEC	A300779		C-160479		
MATERIAL		FINISH	APPLICATION SPEC	CUSTOMER DRAWING		SCALE 1:1	SHEET 1 OF 1	REV H2