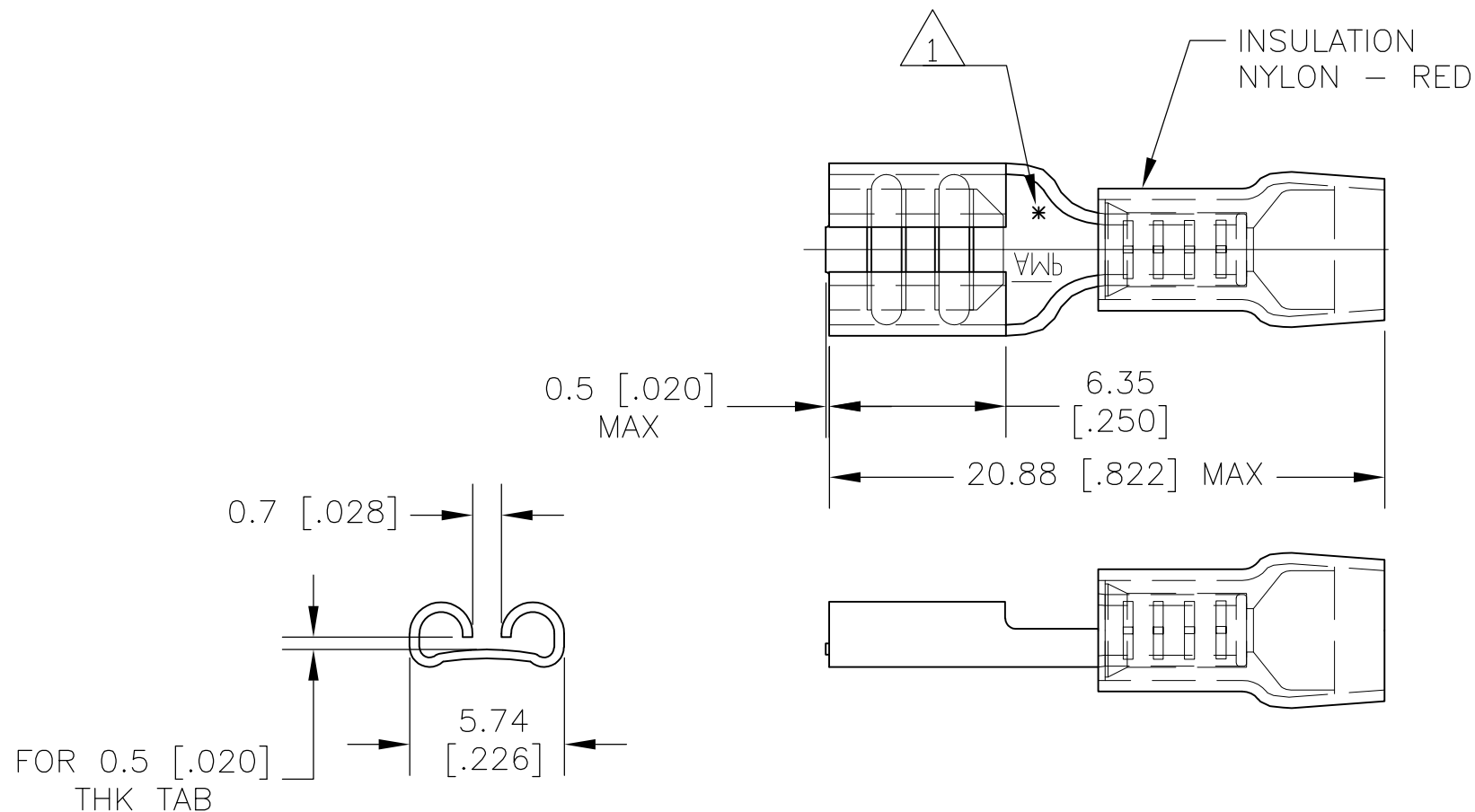


THIS DRAWING IS UNPUBLISHED. RELEASED FOR PUBLICATION
 © COPYRIGHT BY TYCO ELECTRONICS CORPORATION. ALL RIGHTS RESERVED.

LOC	DIST	REVISIONS					
G	00	P	LTR	DESCRIPTION	DATE	DWN	APVD
			K2	REV PER ECR 08-028310	10NOV08	JR	TM

- 1 ASTERISK * FOR PHOS BRONZE PARTS ONLY
- 2 WIRE SIZE IS 22-16 AWG
- 3 WIRE INSULATION RANGE IS 2.7-3.6mm [.105-.140] DIA



OBSOLETE	TAPE MOUNTED	TIN	PHOS BRONZE	5-160481-5
		TIN	BRASS	5-160481-1
OBSOLETE	LOOSE PIECE	GOLD	PHOS BRONZE	9-160481-7
		SILVER	PHOS BRONZE	9-160481-6
OBSOLETE		TIN	PHOS BRONZE	9-160481-5
		GOLD	BRASS	9-160481-4
OBSOLETE		SILVER	BRASS	9-160481-3
		TIN	BRASS	9-160481-1
	PACKAGE TYPE	TERMINAL PLATING	TERMINAL MATERIAL	PART NO

THIS DRAWING IS A CONTROLLED DOCUMENT.		DWN jr_ruth 07DEC07	Tyco Electronics Corporation Harrisburg, PA 17105-3608	
DIMENSIONS: MM [INCHES]		CHK T MICHELUTTI 07DEC07	NAME RECEPTACLE, PIDG, FASTON, 4.75 [.187] SERIES	
TOLERANCES UNLESS OTHERWISE SPECIFIED:		APVD T MICHELUTTI 07DEC07	PRODUCT SPEC -	
0 PLC ± -		APPLICATION SPEC -		
1 PLC ± -		SIZE A3		
2 PLC ± 0.20 [.008]		CAGE CODE 00779		
3 PLC ± -		DRAWING NO C-160481		
4 PLC ± -		RESTRICTED TO -		
ANGLES ± 5°		SCALE 4:1		
MATERIAL -		SHEET 1 OF 1		
FINISH -		REV K2		
CUSTOMER DRAWING				