



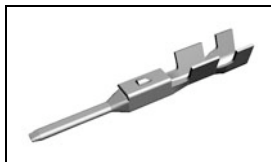
**Have a Question?**  
 Chat with a Product  
 Information Specialist

What can we help you find?

[Products](#) | 
 [Industries](#) | 
 [Resources](#) | 
 [About TE](#) | 
 [My Account](#) | 
 [Innovation](#) | 
 [Support Center](#)

## 917309-1 Product Details

[Share](#) | 
 [Print](#) | 
 [Email](#)



**917309-1**

TE Internal Number: 917309-1

Active

[View 3D PDF](#)

### Mini-Multilock Connectors

Always EU RoHS/ELV Compliant (Statement of Compliance)

#### Product Highlights:

- Contact
- Contact Type = Tab
- RoHS compliant, ELV compliant
- Lead Free Solder Processes = Not relevant for lead free process

[View all Features](#)

### Quick Links

- ▶ [Pricing & Availability](#)
- ▶ [Search for Tooling](#)
- ▶ [View Housings \(7\)](#)
- ▶ [Product Feature Selector](#)
- ▶ [Contact Us About This Product](#)

[Add to My Part List](#) | 
 [Request Sample](#) | 
 [Find Similar Products](#) | 
 [Buy Product](#)

### Documentation & Additional Information

<p><b>Product Drawings:</b></p> <ul style="list-style-type: none"> <li>• <a href="#">TAB CONTACT ( MINI MULTI LOCK CONN )</a> (PDF, English)</li> </ul> <p><b>Catalog Pages/Data Sheets:</b></p> <ul style="list-style-type: none"> <li>• None Available</li> </ul> <p><b>Product Specifications:</b></p> <ul style="list-style-type: none"> <li>• <a href="#">AMP Mini Multilock Connector</a> (PDF, English)</li> </ul> <p><b>Application Specifications:</b></p> <ul style="list-style-type: none"> <li>• <a href="#">CRIMPING OF MINI-MULTI-LOCK CONNECTOR CONTACTS</a> (PDF, English)</li> </ul> <p><b>Instruction Sheets:</b></p> <ul style="list-style-type: none"> <li>• <a href="#">Straight action hand tool for Mini Multi Lock Contact</a> (PDF, English)</li> <li>• <a href="#">Mini Multilock Connector</a> (PDF, English)</li> </ul> <p><b>CAD Files:</b> (CAD Format &amp; Compression Information)</p> <ul style="list-style-type: none"> <li>• <a href="#">2D Drawing</a> (DXF, Version A)</li> <li>• <a href="#">3D Model</a> (IGES, Version A)</li> <li>• <a href="#">3D Model</a> (STEP, Version A)</li> </ul>	<p><b>Additional Information:</b></p> <ul style="list-style-type: none"> <li>• <a href="#">Product Line Information</a></li> </ul> <p><b>Related Products:</b></p> <ul style="list-style-type: none"> <li>• <a href="#">Tooling</a></li> <li>• <a href="#">Housings (7)</a></li> </ul>
---	--

[List all Documents](#)

### Product Features (Please use the Product Drawing for all design activity)

<p><b>Product Type Features:</b></p> <ul style="list-style-type: none"> <li>• Product Type = Contact</li> </ul> <p><b>Body Features:</b></p> <ul style="list-style-type: none"> <li>• Wire Range (mm [AWG]) = 0.30-0.60<sup>2</sup> [22-20]</li> </ul> <p><b>Contact Features:</b></p> <ul style="list-style-type: none"> <li>• Contact Type = Tab</li> <li>• Contact Base Material = Brass</li> <li>• Contact Plating, Mating Area, Material = Tin</li> </ul>	<p><b>Industry Standards:</b></p> <ul style="list-style-type: none"> <li>• <a href="#">RoHS/ELV Compliance</a> = RoHS compliant, ELV compliant</li> <li>• <a href="#">Lead Free Solder Processes</a> = Not relevant for lead free process</li> <li>• <a href="#">RoHS/ELV Compliance History</a> = Always was RoHS compliant</li> </ul> <p><b>Conditions for Usage:</b></p> <ul style="list-style-type: none"> <li>• <a href="#">Accepts Wire Insulation Diameter, Range (mm [in]) = 1.40 - 1.70 [0.055 - 0.067]</a></li> </ul> <p><b>Other:</b></p> <ul style="list-style-type: none"> <li>• Brand = AMP</li> </ul>
--	--

### Corporate Information

- [About TE](#)
- [Investors](#)
- [News Room](#)
- [Supplier Portal](#)
- [Careers](#)
- [Terms & Conditions](#)

### Quick Links

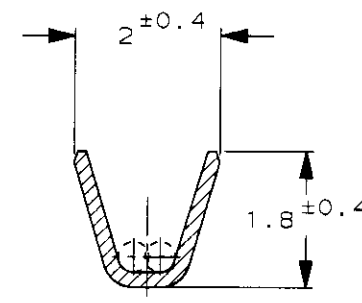
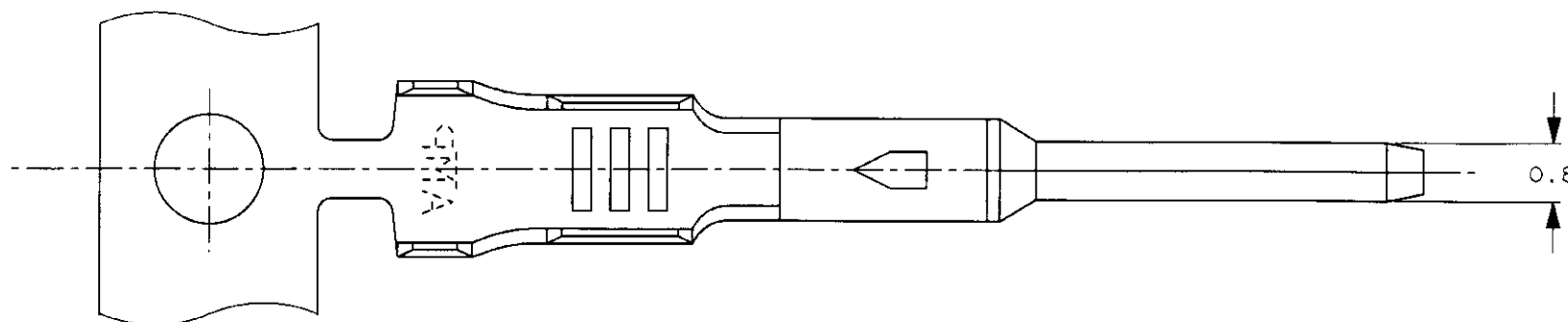
- [Distributor Inventory](#)
- [Product Cross Reference](#)
- [Documents & Drawings](#)
- [Product Compliance Support Center](#)
- [Site Map](#)

### Customer Support

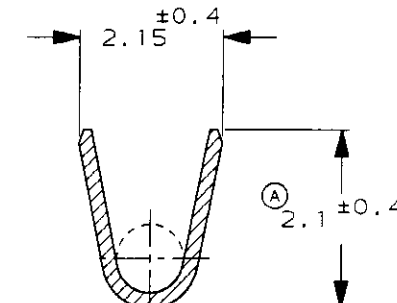
- [Email or Chat With Us](#)
- [Find a Phone Number](#)
- [Knowledge Base](#)
- [Manage Your Account](#)

P	LTR	DESCRIPTION	ECN	DATE	DWN	APVD
	O	RELEASED	FJ00-3023-95	7/31'95	TS	AT
	A	REVISED	FJ00-0253-97	2/20'97	K.Y.	

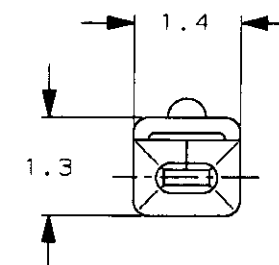
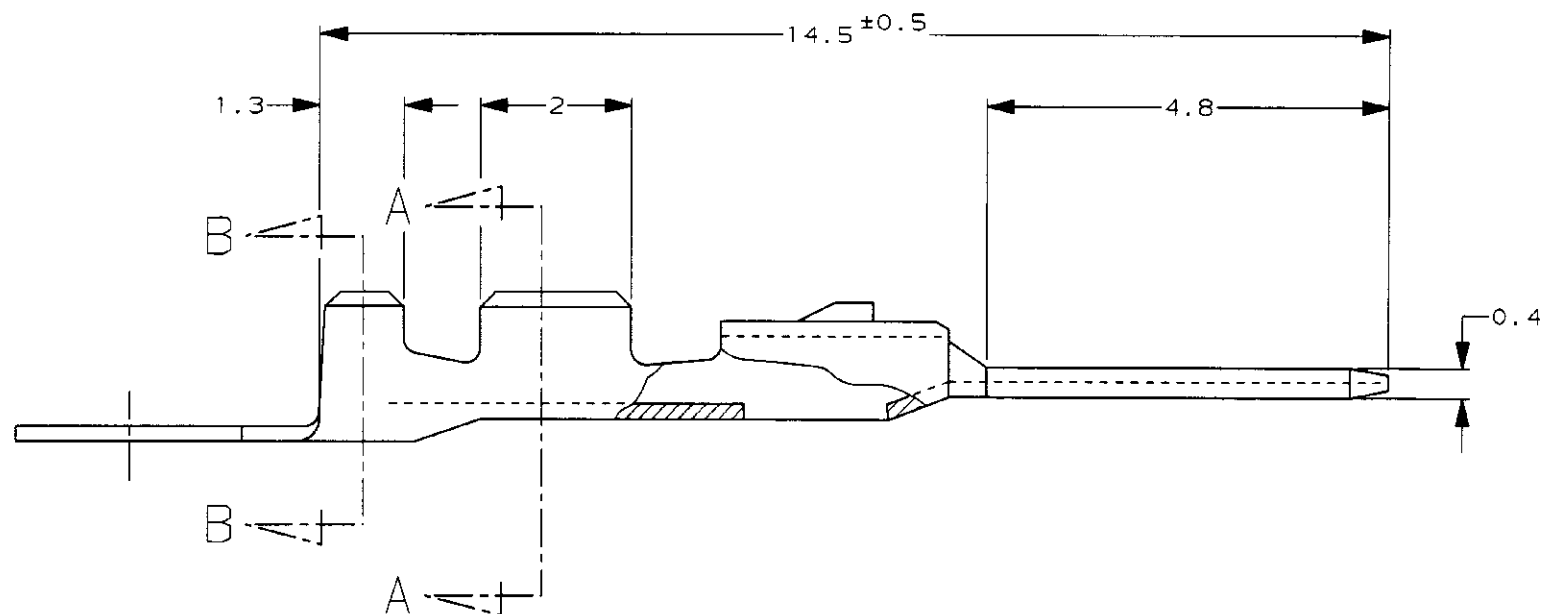
— 1 ; 本 ☒



SECT. A-A



SECT. B-B



注 :

1. 適用圧着規格番号 : 114-5193

NOTES;

1. APPLICABLE CRIMPING SPEC No. 114-5193

THIS DRAWING IS A CONTROLLED DOCUMENT FOR AMP INCORPORATED. IT IS SUBJECT TO CHANGE AND THE CONTROLLING ENGINEERING ORGANIZATION SHOULD BE CONTACTED FOR THE LATEST REVISION.	
DIMENSIONS: 単位 概 mm	TOLERANCES UNLESS OTHERWISE SPECIFIED 一般公差 10% : ±0.2 30% : ±0.25 100% : ±0.3 ANGLE : ±0.3°
MATERIAL 材料 PRE-TIN 錫メッキ済鋼0.2t	FINISH 仕上 —

DWN	7/31'95	T. SHINOHARA
CHK	7/31'95	K. YUASA
APVD	7/31'95	A. TOMITA
PRODUCT SPEC	—	
APPLICATION SPEC	—	
WEIGHT	0.06g	
CUSTOMER DRAWING		

WIRE RANGE 包合電線断面積 AWG #22~#20 (0.3~0.5)		INSULATION DIA 被覆外径 1.4~1.7	
<b>AMP</b>		日本エー・エム・ピー株式会社 Kawasaki, Japan	
NAME 名称 TAB CONTACT (MINI MULTI LOCK CONN) タブ コンタクト (ミニ・マルチ・ロック コネクタ)			
SIZE	CAGE CODE	DRAWING NO 番号	
A3	00779	C- 917309	
SCALE 尺度 10-1		SHEET 1	OF 1
		REV A	