

917318-4 Product Details

[Share](#) [Print](#) [Email](#)




917318-4

TE Internal Number: 917318-4

 Active

[View 3D PDF](#)

Mini-Multilock Connectors

 Always EU RoHS/ELV Compliant
(Statement of Compliance)

Product Highlights:

- Connector
- Not Preloaded
- Connector Style = Plug
- Sealed
- RoHS compliant, ELV compliant

[View all Features](#)

Quick Links

- ▶ [Pricing & Availability](#)
- ▶ [Search for Tooling](#)
- ▶ [View Contacts \(1\)](#)
- ▶ [Product Feature Selector](#)
- ▶ [Contact Us About This Product](#)

[Add to My Part List](#)

[Request Sample](#)

[Find Similar Products](#)

[Buy Product](#)

Documentation & Additional Information

Product Drawings:

- [MINI MULTI LOCK CONNECTOR 7POS PLUG HSG \(PDF, English\)](#)

Catalog Pages/Data Sheets:

- None Available

Product Specifications:

- [AMP Mini Multilock Connector \(PDF, English\)](#)

Application Specifications:

- None Available

Instruction Sheets:

- [Mini Multilock Connector \(PDF, English\)](#)

CAD Files: (CAD Format & Compression Information)

- [2D Drawing \(DXF, Version G\)](#)
- [3D Model \(IGES, Version G\)](#)
- [3D Model \(STEP, Version G\)](#)

[List all Documents](#)

Additional Information:

- [Product Line Information](#)

Related Products:

- [Tooling](#)
- [Contacts \(1\)](#)

Product Features (Please use the Product Drawing for all design activity)

Product Type Features:

- Product Type = Connector
- Sealed = Yes
- Color = Light Green

Housing Features:

- Connector Style = Plug
- Housing Material = PBT - GF

Configuration Features:

- Preloaded = No
- Number of Positions = 7

Industry Standards:

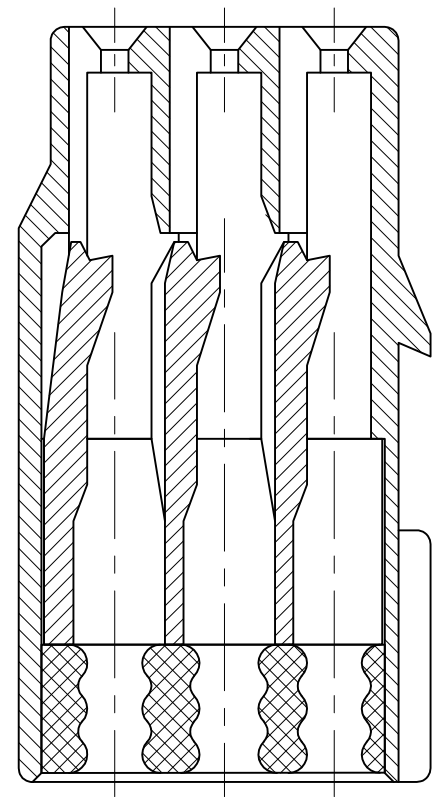
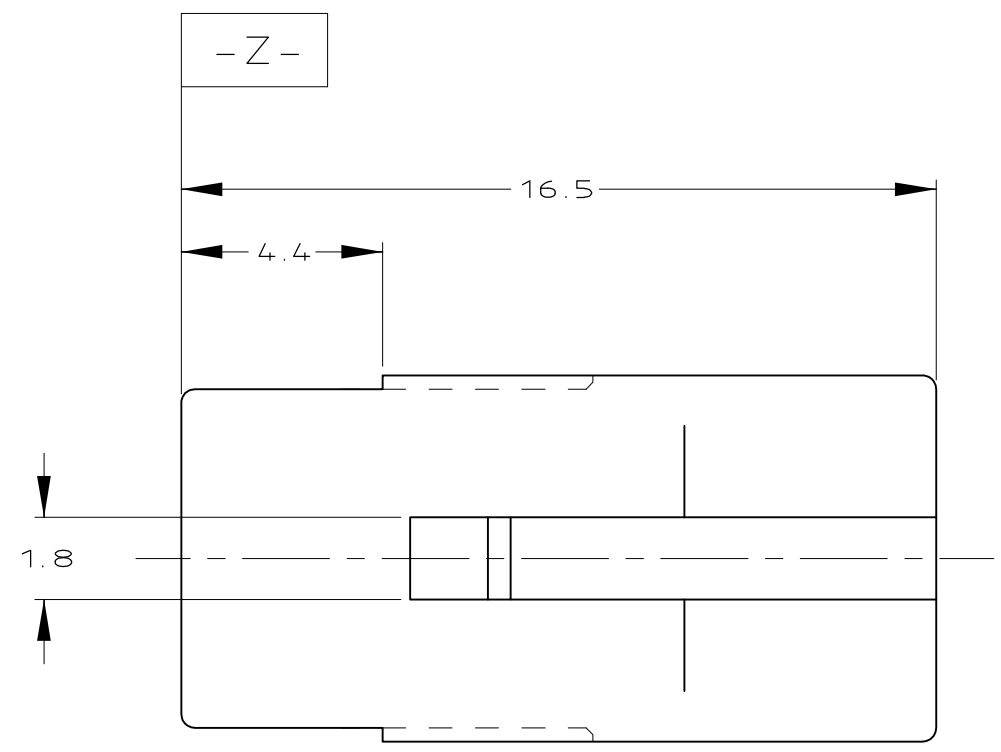
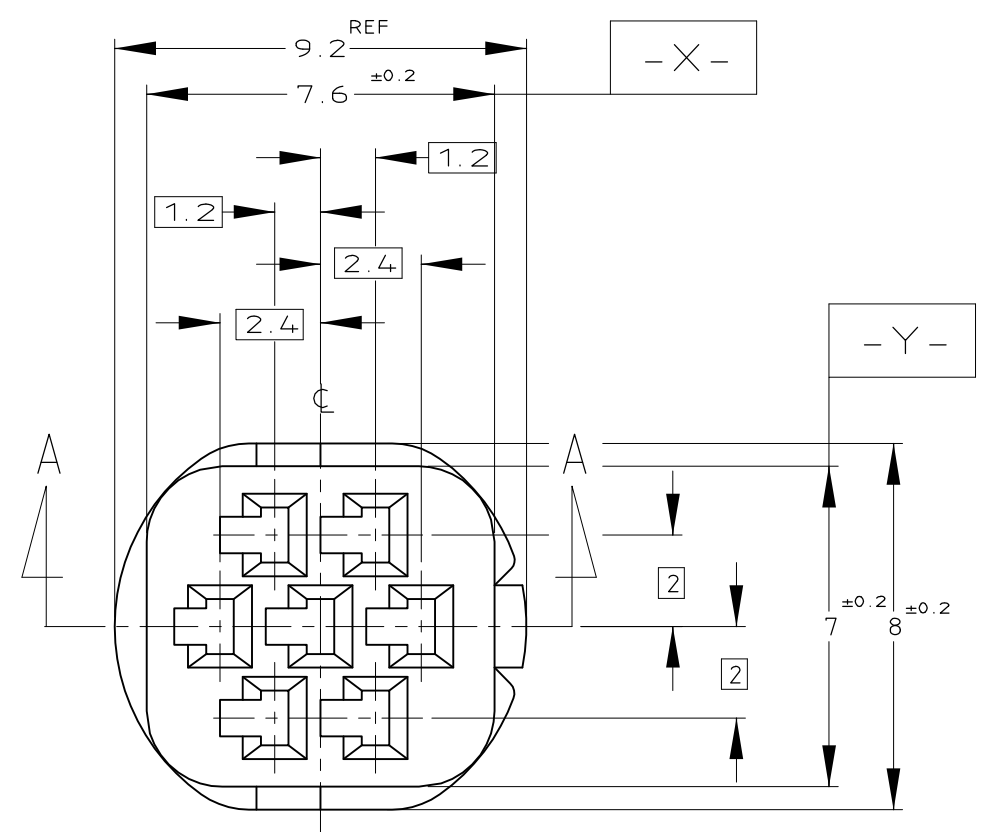
- [RoHS/ELV Compliance](#) = RoHS compliant, ELV compliant
- [Lead Free Solder Processes](#) = Not relevant for lead free process
- [RoHS/ELV Compliance History](#) = Always was RoHS compliant

Other:

- Brand = AMP

THIS DRAWING IS UNPUBLISHED. RELEASED FOR PUBLICATION
 © COPYRIGHT - By - ALL RIGHTS RESERVED.

LOC	DIST	REVISIONS 変更					
J	-	P	LTR	DESCRIPTION	DATE	DWN	APVD
		D1		REVISED PER ECO-11-005140	28MAR11	RK	HMR



SECT. A-A

TOLERANCE UNLESS OTHERWISE SPECIFIED:
一般公差

0 < x ≤ 10	: ±0.2
10 < x ≤ 30	: ±0.25
30 < x ≤ 100	: ±0.3
ANGLE ; 角度	: ±0.3°

1. 嵌合相手ハウジング型番 ; 917319
2. 内装するリセコンタクト型番 ; 917308
3. 適用製品規格番号 ; 108-5426
4. 取扱説明書 ; 412-5653-1

1. THE MATING PLUG HSG P/N 917319
2. APPLIED CONTACT P/N 917308
3. APPLICABLE PRODUCT SPEC No.108-5426
4. INSTRUCTION SHEET:412-5653

YELLOW	917318-8
GRAY	917318-7
BLACK	917318-6
NATURAL	917318-5
LIGHT GREEN	917318-4
COLOR	PART NUMBER

THIS DRAWING IS A CONTROLLED DOCUMENT.		DWN A. YAMAGUCHI 31JUL02	TE Connectivity														
DIMENSIONS: 単位: 耗 mm		CHK T. HAYASHI 02AUG02															
TOLERANCES UNLESS OTHERWISE SPECIFIED: 一般公差		APVD H. YAMAGAMI 02AUG02	NAME 名称 MINI MULTI LOCK CONNECTOR 7POS PLUG HSG														
<table border="1"> <tr> <td>0 PLC</td> <td>± -</td> </tr> <tr> <td>1 PLC</td> <td>± -</td> </tr> <tr> <td>2 PLC</td> <td>± -</td> </tr> <tr> <td>3 PLC</td> <td>± -</td> </tr> <tr> <td>4 PLC</td> <td>± -</td> </tr> <tr> <td>ANGLES</td> <td>± -</td> </tr> </table>		0 PLC	± -	1 PLC	± -	2 PLC	± -	3 PLC	± -	4 PLC	± -	ANGLES	± -	PRODUCT SPEC 製品規格 SEE TABLE	SIZE		
0 PLC	± -																
1 PLC	± -																
2 PLC	± -																
3 PLC	± -																
4 PLC	± -																
ANGLES	± -																
MATERIAL 材料 PBT G		APPLICATION SPEC 取付適用規格	WEIGHT 0.85g	CAGE CODE A300779	DRAWING NO 番号 G-917318	RESTRICTED TO -											
FINISH 仕上 SEE TABLE		CUSTOMER DRAWING		SCALE 尺度 5:1	SHEET 1 OF 1	REV D1											