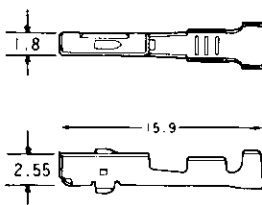
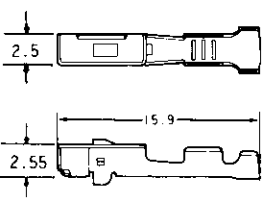


# .040/.070 Hybrid I/O Connectors Wire to Board Applications

## Receptacle Contact (For Side double-lock type)

Contact	Wire Range	Wire Ins. Diameter	Material/Finish	Part No.		Hand Tool No. (Instruction Sheet)
				S.T.	L.P.	
.040 II Receptacle 	S Size	Ø1.1-1.8mm	Copper Alloy/Pre-tin	175265-1	179417-1	91588-1 (411-5655)
	0.3-0.85mm <sup>2</sup> (AWG#22-18)		Copper Alloy/Sel. Gold	175266-2	179418-2	
Crimp Specifications : 114-5159						
.070 II Receptacle 	S Size	Ø1.1-1.8mm	Brass/Pre-tin	175268-1	179423-1	934195-1 (411-5658)
	0.3-0.85mm <sup>2</sup> (AWG#22-18)		Brass/Sel. Gold	175275-2	179424-2	
	M Size	Ø1.8-2.5mm	Brass/Pre-tin	175269-1	179425-1	934196-1 (411-5659)
	0.5-1.25mm <sup>2</sup> (AWG#20-16)		Brass/Sel. Gold	175276-2	179426-2	
Crimp Specifications : 114-5160						

## Plug Mark II (Side double-lock type)

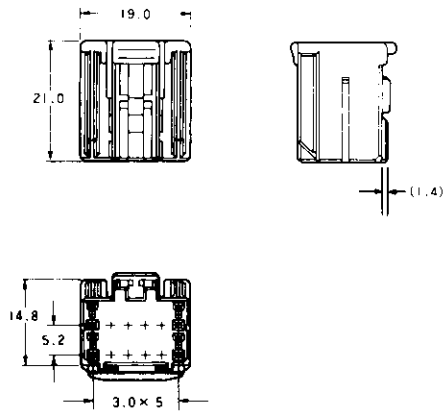
12  
Pos.

Part Number : □-917975-□

■ Part numbers of mating cap housings

76Pos. : □-178780-□    76Pos. : □-174915-□

\*Only .040 II receptacle contact are accepted.



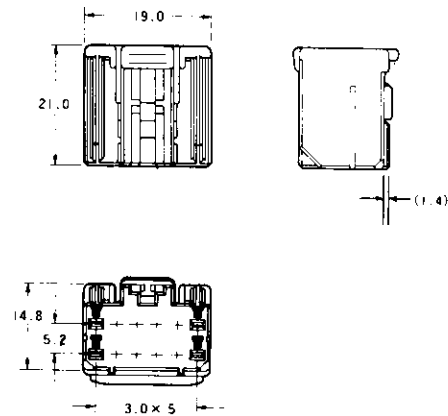
Part Number : □-917978-□

■ Part numbers of mating cap housings

34Pos. : □-175444-□    54Pos. : □-175448-□

38Pos. : □-178093-□

\*Only .070 II receptacle contact are accepted.



\*The material of housing is of PBT.

\*The figures in □ after part numbers vary according to housing colors, etc.

5