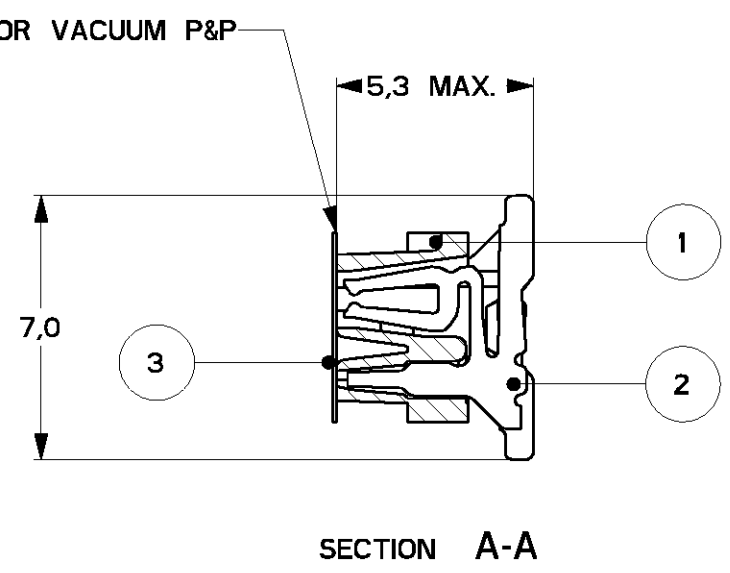
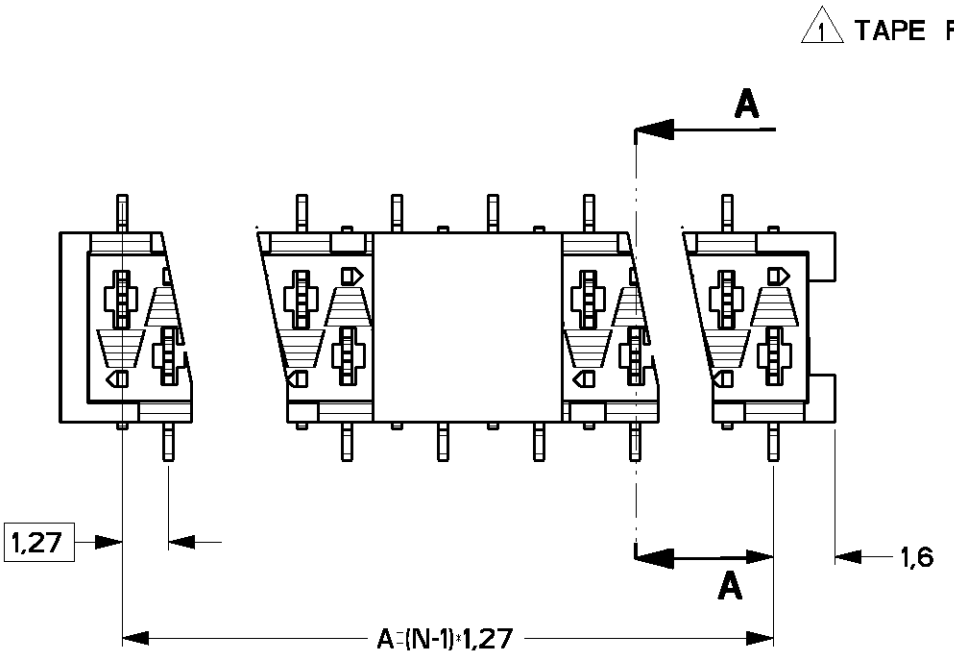
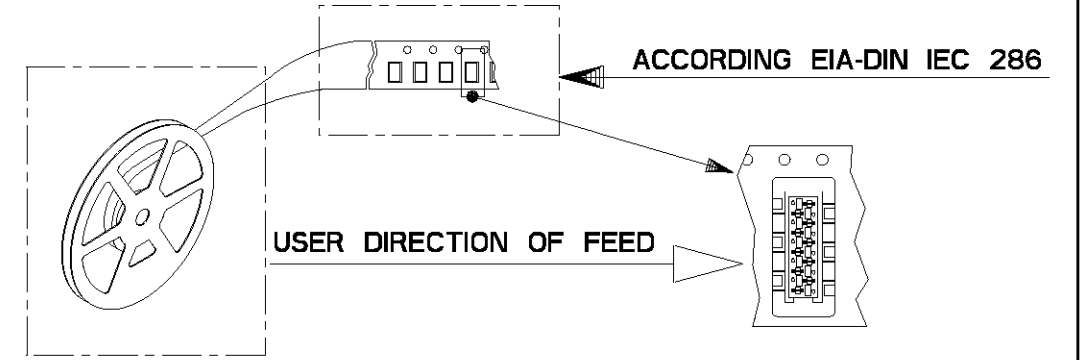


THIS DRAWING IS UNPUBLISHED. **XXXXXXXXXXXXX** DATE: -
 © COPYRIGHT - By Tyco Electronics Nederland B.V. ALL RIGHTS RESERVED.

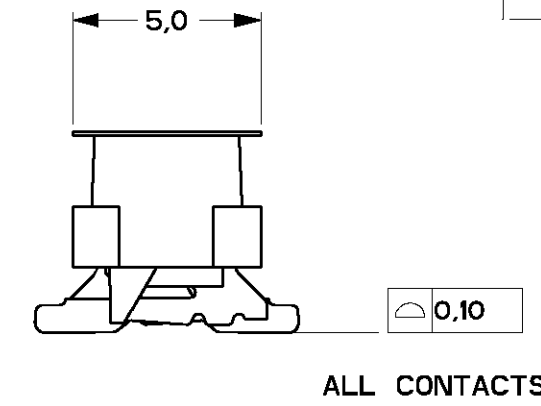
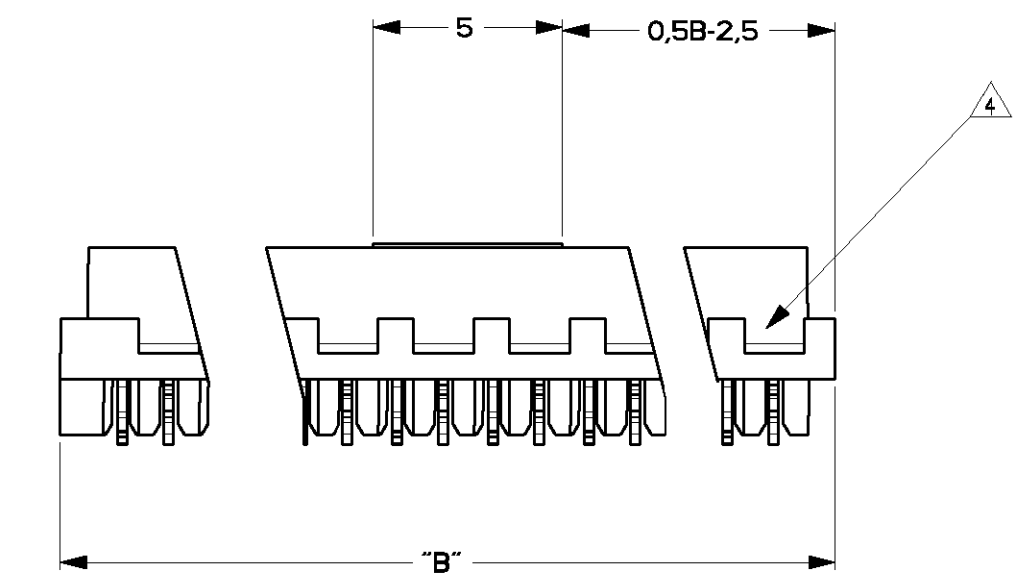
LOC	DIST	REVISIONS			
H	-	LTR	DESCRIPTION	DATE	APVD
		L1	ECN EH00-0027-02	04/02/02	MG
		--	--	--	--
		--	--	--	--



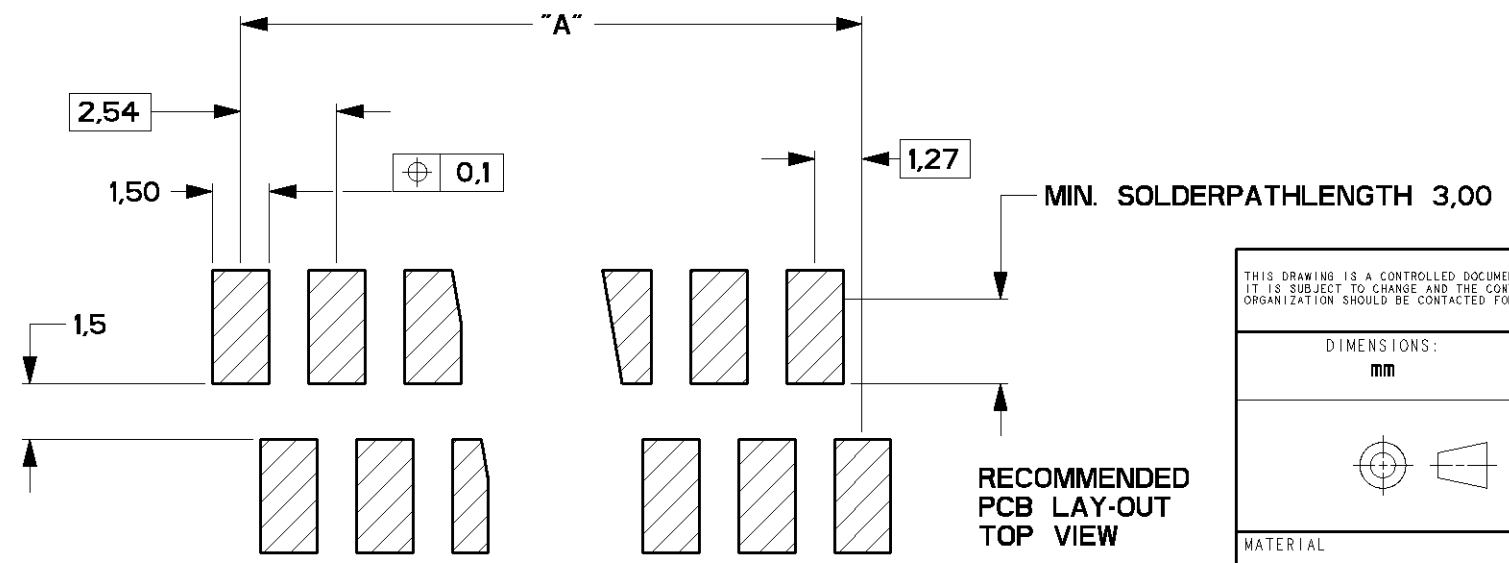
- NOTES:
- 1 TAPE FOR VACUUM P&P ONLY FOR DASHNUMBERS 7-/8-/9-
 - 2 FOR PACKAGING SEE SHEET 2-2
 - 3 WITHOUT VACUUM TAPE
 - 4 CORING OUTS OPTIONAL



900 CONNECTORS ON REEL



NR OF POS	"A"	"B" MAX	+ VAC.TAPE	
			PARTNUMBER	PARTNUMBER
4	3,81	7,1	7-188275-4	0-188275-4
6	6,35	9,7	7-188275-6	0-188275-6
8	8,89	12,2	7-188275-8	0-188275-8
10	11,43	14,7	8-188275-0	1-188275-0
12	13,97	17,3	8-188275-2	1-188275-2
14	16,51	19,8	8-188275-4	1-188275-4
16	19,05	22,4	8-188275-6	1-188275-6
18	21,59	24,9	8-188275-8	1-188275-8
20	24,13	27,5	9-188275-0	2-188275-0



3	Tape	4	-
2	Female contact	Phosphorbronze	Tin-Lead plated
1	Female housing	PA 4.6	Red
Item no.	Description	Material	Finish

THIS DRAWING IS A CONTROLLED DOCUMENT FOR Tyco Electronics Nederland B.V. IT IS SUBJECT TO CHANGE AND THE CONTROLLING ENGINEERING ORGANIZATION SHOULD BE CONTACTED FOR THE LATEST REVISION.

DIMENSIONS:	TOLERANCES UNLESS OTHERWISE SPECIFIED:
mm	
0 PLC	± 0.1
1 PLC	± 0.05
2 PLC	± 0.05
3 PLC	± 0.05
4 PLC	± 0.05
ANGLES	± 0.2°
MATERIAL	FINISH

DWN M Gosselink
 CHK -
 APVD -
 PRODUCT SPEC 108-19052
 APPLICATION SPEC -
 WEIGHT -

AMP Tyco Electronics Nederland B.V.
 's-HERTOGENBOSCH, THE NETHERLANDS

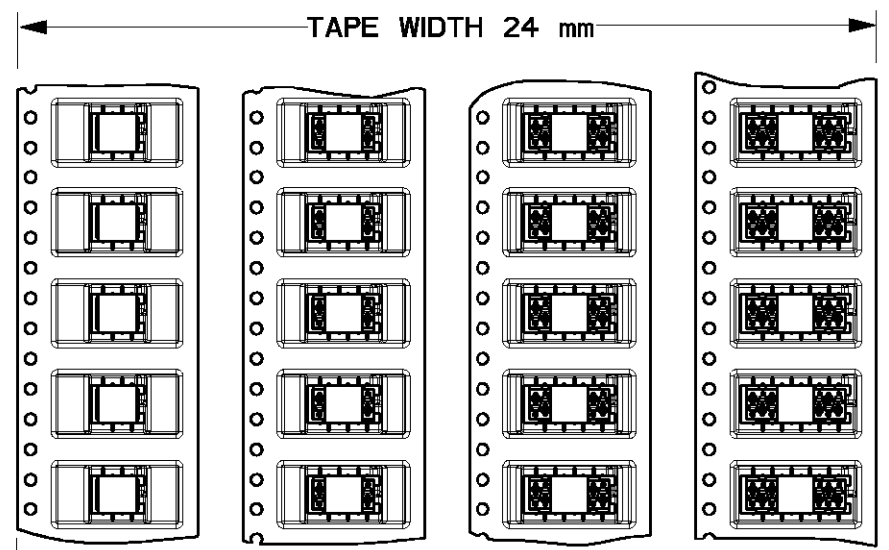
NAME MICRO-MATCH FTE SMD CONNECTOR

SIZE A3	CAGE CODE 00779	DRAWING NO. C-188275
---------	-----------------	----------------------

CUSTOMER DRAWING SCALE 10:1 SHEET 1 OF 2 REV L1

THIS DRAWING IS UNPUBLISHED. **XXXXXXXXXXXX** DATE: -
 By Tyco Electronics Nederland B.V. ALL RIGHTS RESERVED.

LOC	DIST	REVISIONS		DATE	APVD
H	-	LTR	SEE SHEET 1	DESCRIPTION	

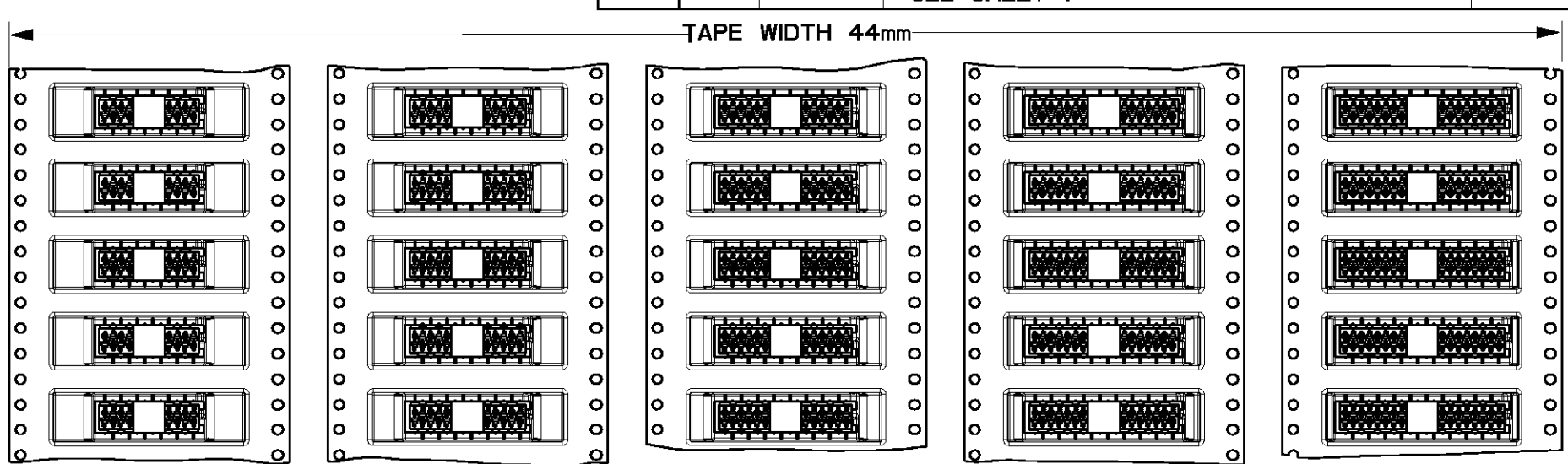


TAPE WIDTH 24 mm

7-188275-4 7-188275-6 7-188275-8 8-188275-0

4 POSITIONS 6 POSITIONS 8 POSITIONS 10 POSITIONS

0-188275-4 0-188275-6 0-188275-8 1-188275-0

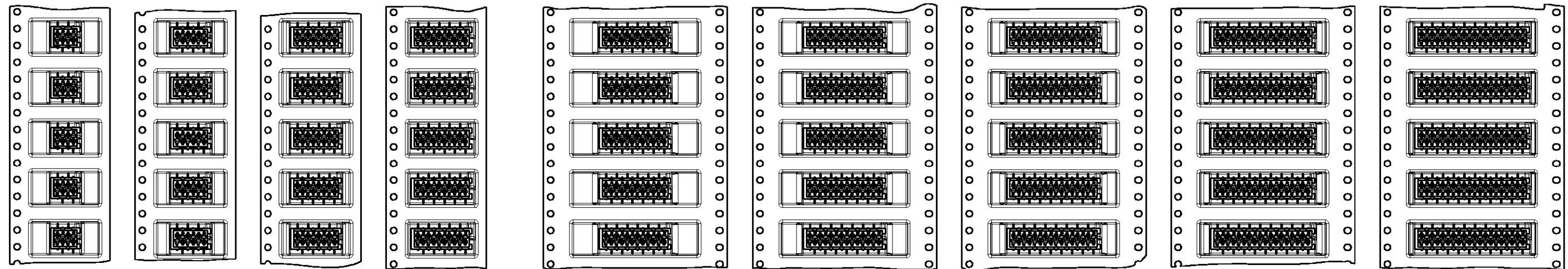


TAPE WIDTH 44mm

8-188275-2 8-188275-4 8-188275-6 8-188275-8 9-188275-0

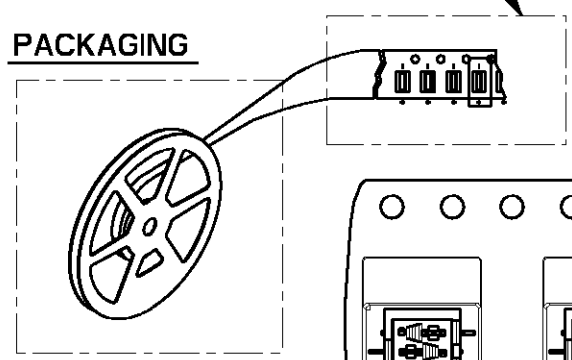
12 POSITIONS 14 POSITIONS 16 POSITIONS 18 POSITIONS 20 POSITIONS

1-188275-2 1-188275-4 1-188275-6 1-188275-8 2-188275-0

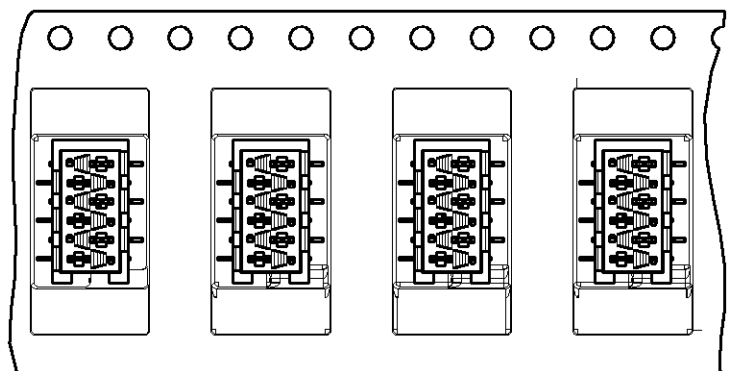


ACCORDING EIA-481/DIN IEC 286

PACKAGING



SCALE 2:1



THIS DRAWING IS A CONTROLLED DOCUMENT FOR Tyco Electronics Nederland B.V. IT IS SUBJECT TO CHANGE AND THE CONTROLLING ENGINEERING ORGANIZATION SHOULD BE CONTACTED FOR THE LATEST REVISION.

DIMENSIONS: mm	TOLERANCES UNLESS OTHERWISE SPECIFIED:
	0 PLC ± .
	1 PLC ± .
	2 PLC ± .
	3 PLC ± .
	4 PLC ± .
	ANGLES ± .0°
MATERIAL	FINISH

DWN	M Gosselink
CHK	-
APVD	-
PRODUCT SPEC	-
APPLICATION SPEC	-
WEIGHT	-

AMP Tyco Electronics Nederland B.V. *S-HERTOGENBOSCH, THE NETHERLANDS		
NAME MICRO-MATCH FTE SMD CONNECTOR		
SIZE	CAGE CODE	DRAWING NO
A3	00779	C-188275
CUSTOMER DRAWING		SCALE 10:1 SHEET 2 OF 2 REV L1