

NOTES:

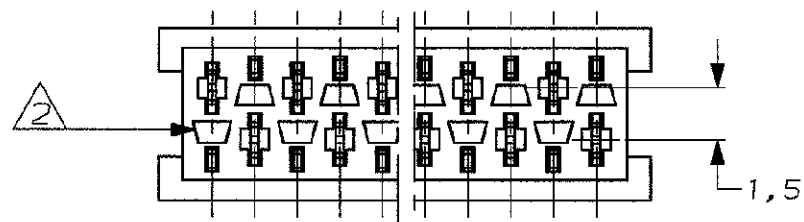
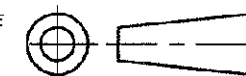
- ⚠ DIRECTION OF KINK OPTIONAL.
- ⚠ CORING OUT IS OPTIONAL.

DO NOT SCALE

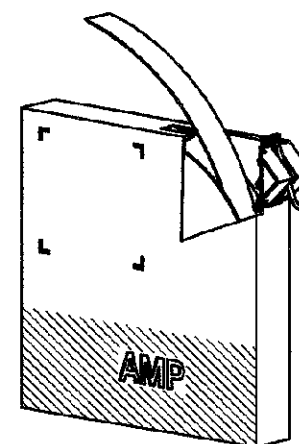
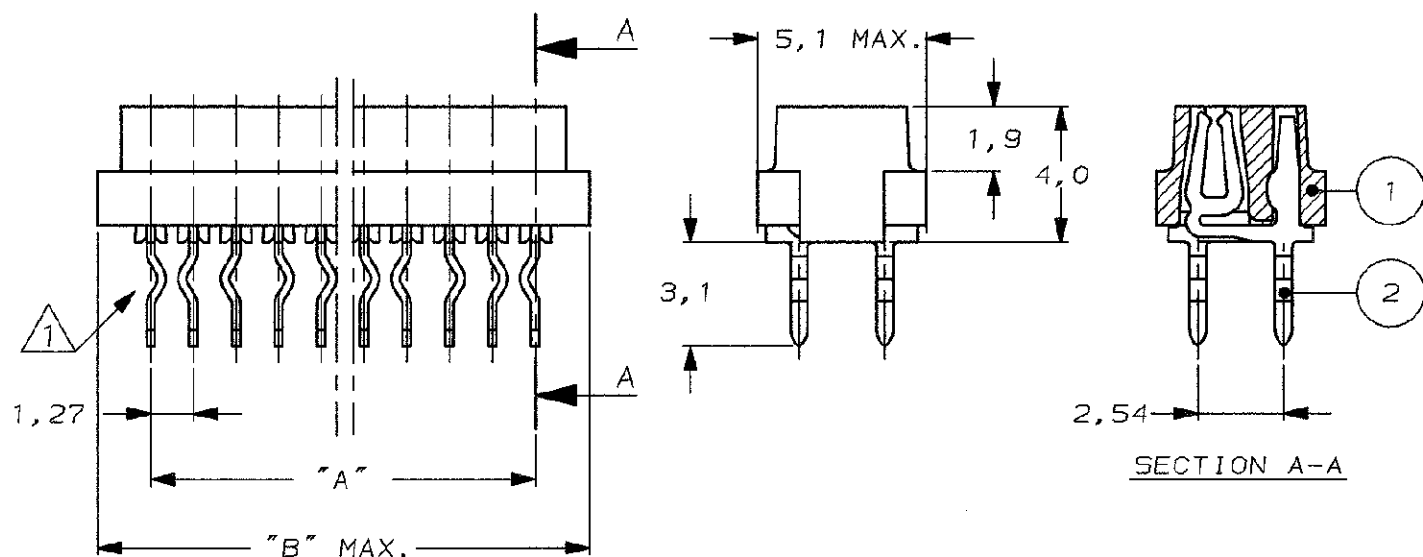
DIMENSIONS IN mm

METRIC

THIRD ANGLE
PROJECTION

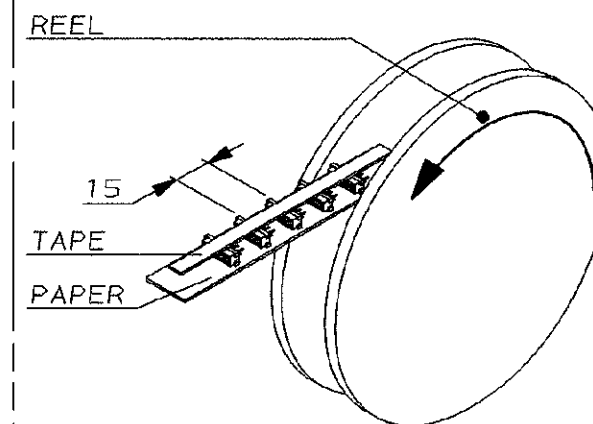


PARTNUMBER	PARTNUMBER	NUMBER OF POSITIONS	"A"	"B" MAX.
7-215079-4	0-215079-4	4	3,81	7,1
7-215079-6	0-215079-6	6	6,35	9,7
7-215079-8	0-215079-8	8	8,89	12,2
8-215079-0	1-215079-0	10	11,43	14,7
8-215079-2	1-215079-2	12	13,97	17,3
8-215079-4	1-215079-4	14	16,51	19,8
8-215079-6	1-215079-6	16	19,05	22,4
8-215079-8	1-215079-8	18	21,59	24,9
9-215079-0	2-215079-0	20	24,13	27,4



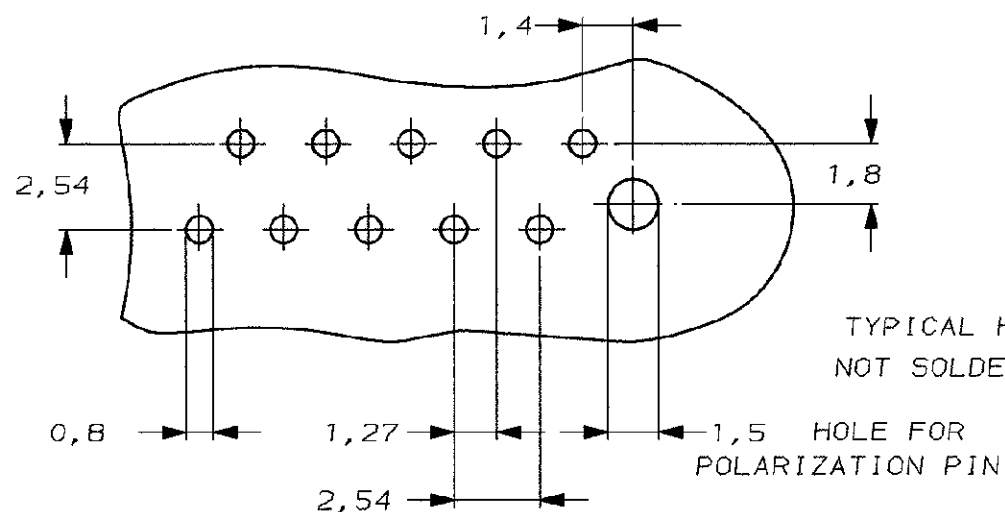
250 CONNECTORS PER BOX.

DEREELING DIRECTION AND POSITION OF CONNECTORS.



2500 CONNECTORS PER REEL.

DESCRIPTION	MATERIAL	ITEM
FEMALE CONTACT	PHBR. PLATING: TIN-LEAD 93-7	2
HOUSING	GLASS FILLED POLYESTER (RED)	1



TYPICAL HOLEPATTERN
NOT SOLDER SIDE SHOWN

-					CUSTOMER DRAWING		FOR REFERENCE ONLY WILL NOT BE UPDATED	
-					© COPYRIGHT 19-		BY AMP HOLLAND B.V.	
-					ALL INTERNATIONAL RIGHTS RESERVED.		AMP PRODUCTS MAY BE COVERED BY U.S. AND FOREIGN AND/OR PATENTS PENDING.	
-					THIS DRAWING IS UNPUBLISHED		RELEASED FOR PUBLICATION	
T	EH-0846-00	RvH	M.G.	04 AUG 00	AMP		AMP HOLLAND B.V. 's-Hertogenbosch, The Netherlands.	
S	EH-0786-00	RvH	E.L.	14 JUL 00				
R	EH-1337-97	D.K.	MVD	25 NOV 97				
P	EH-0702-97	D.K.	M.G.	01 JUL 97				
LTR.	REVISION RECORD		DR.	CHK.	DATE	NAME		
DR.:	D. KESSLER	CHK.:	01 JUL 97	APP.:	-	DWG.No.		
DATE:	-	DATE:	-	DATE:	-	C-215079		
					REV.LTR.	T	SHEET	1 OF 1
							A3	