

NOTES:

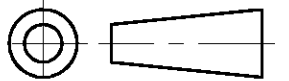
- 1 THIS AREA IS RESERVED FOR CONTACTS
- 2 DIRECTION OF KINK OPTIONAL.

DO NOT SCALE

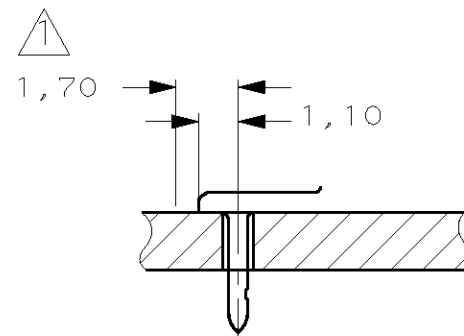
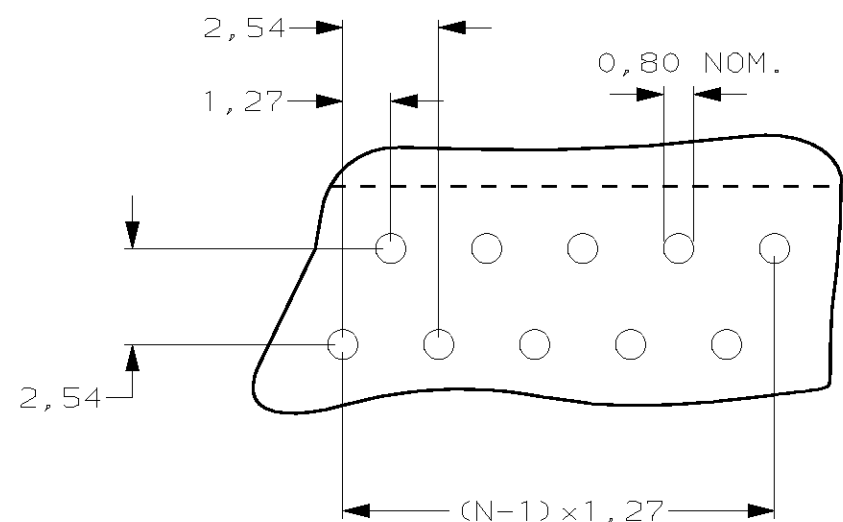
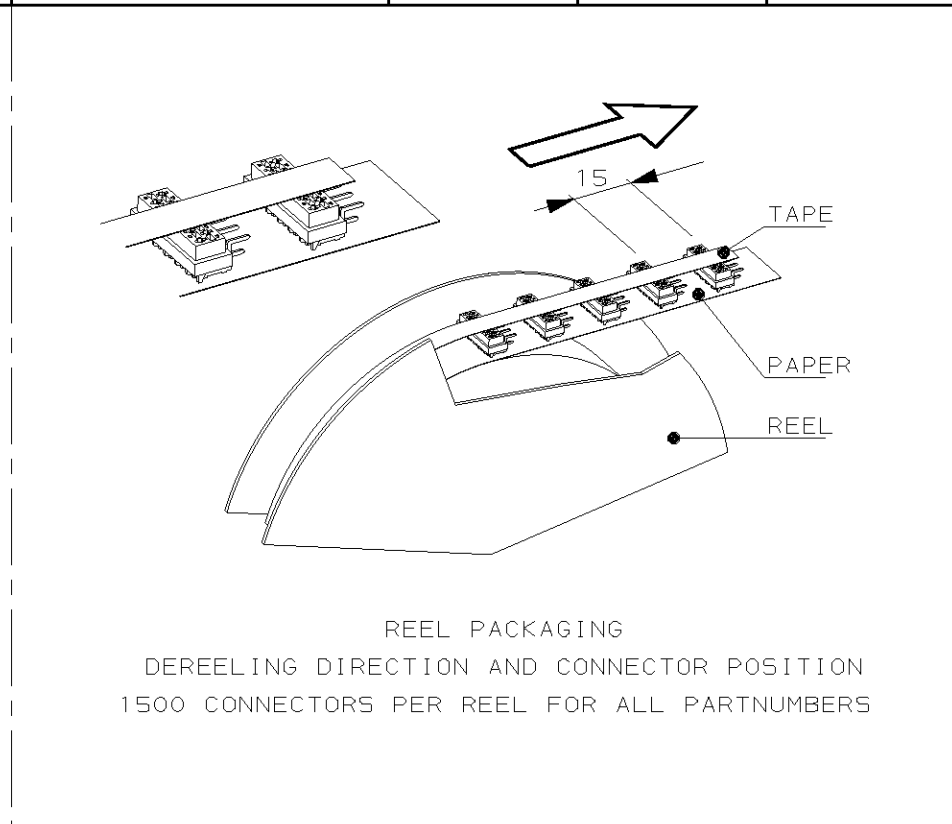
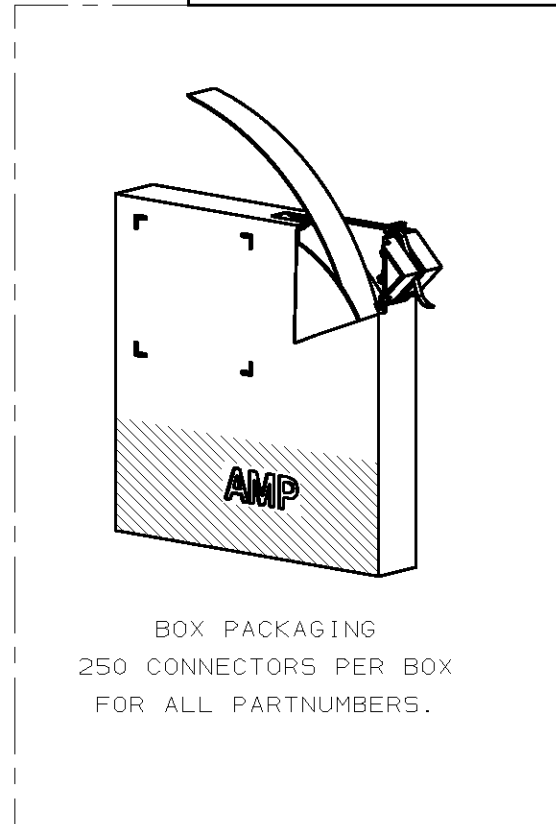
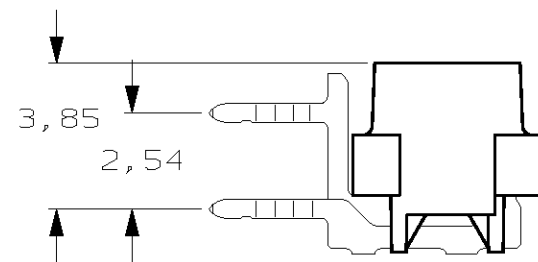
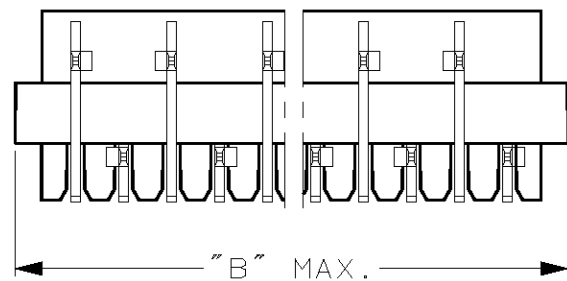
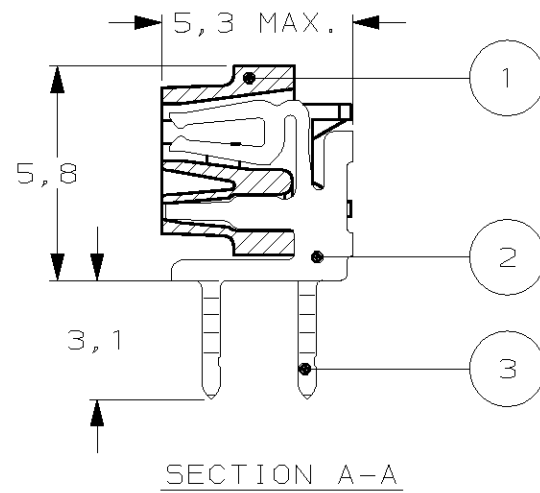
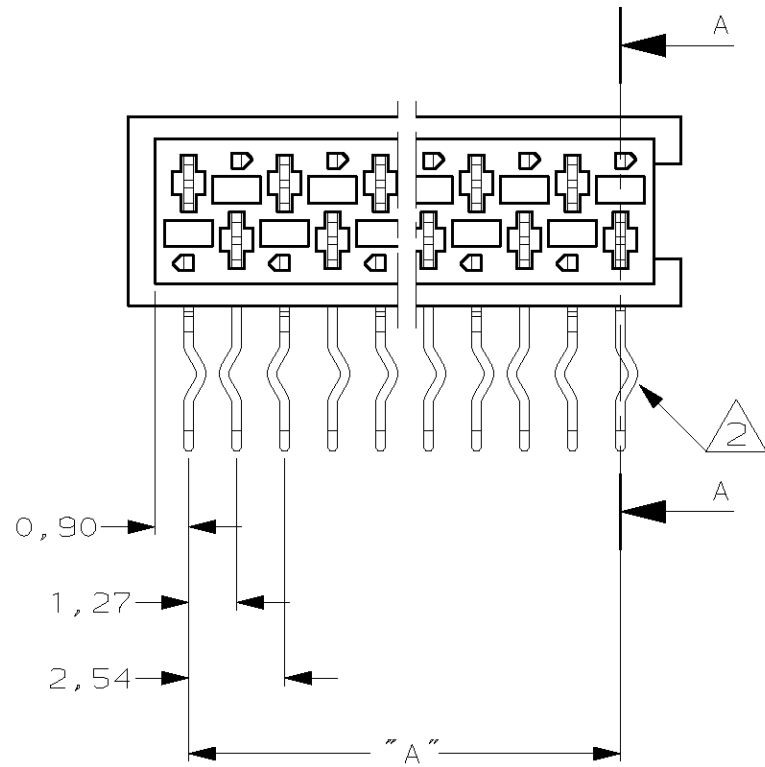
DIMENSIONS IN mm

METRIC

THIRD ANGLE
PROJECTION



PARTNUMBERS BOX PACKAGING	PARTNUMBERS REEL PACKAGING	NUMBER OF POSITIONS	"A"	"B"
7-215460-4	0-215460-4	4	3,81	7,1
7-215460-6	0-215460-6	6	6,35	9,7
7-215460-8	0-215460-8	8	8,89	12,2
8-215460-0	1-215460-0	10	11,43	14,7
8-215460-2	1-215460-2	12	13,97	17,3
8-215460-4	1-215460-4	14	16,51	19,8
8-215460-6	1-215460-6	16	19,05	22,4
8-215460-8	1-215460-8	18	21,59	24,9
9-215460-0	2-215460-0	20	24,13	27,4



RECOMMENDED PCB-HOLE LAY-OUT
NOT SOLDER SIDE SHOWN

DESCRIPTION	MATERIAL	ITEM
FEMALE CONTACT	PhBr. PLATING: TIN-LEAD	3
FEMALE CONTACT	PhBr. PLATING: TIN-LEAD	2
HOUSING	GLASS FILLED POLYESTER (RED)	1

CUSTOMER DRAWING				FOR REFERENCE ONLY WILL NOT BE UPDATED		
S	EH01-0506-03	JvdH	RV	03 JUN 03	© COPYRIGHT 19- BY AMP-HOLLAND B.V. ALL INTERNATIONAL RIGHTS RESERVED. AMP PRODUCTS MAY BE COVERED BY U.S. AND FOREIGN AND/OR PATENTS PENDING. THIS DRAWING IS UNPUBLISHED RELEASED FOR PUBLICATION , 19	
R	EH-1337-97	D.K.	MvD	25 NOV 97		
P	EH-0770-97	D.K.	M.G.	14 JUL 97		
N	EH-0615-97	D.K.	M.G.	12 JUN 97		
M	EH-0587-95	HvD	HvD	12.05.95		
L	EH-0211-94	DK	HvdS	31-03-94	AMP-HOLLAND B.V. 's-Hertogenbosch, The Netherlands.	
LTR. REVISION RECORD				DR.	CHK.	DATE
DR.: P. V. TONGEREN				CHK.: H. KOKKEN	APP.: L.v.50EST	DWG.No.
DATE: 11-03-92				DATE: 11-03-92	DATE: -	215460
				REV.LTR.	SHEET	A3
				5	1 OF 1	