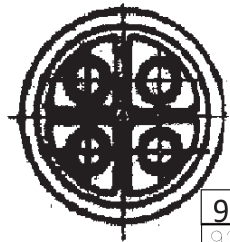
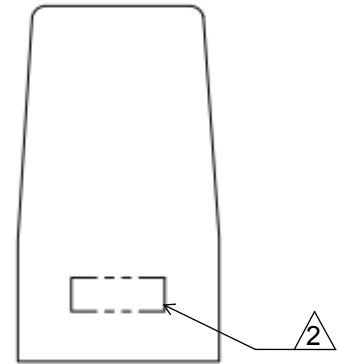
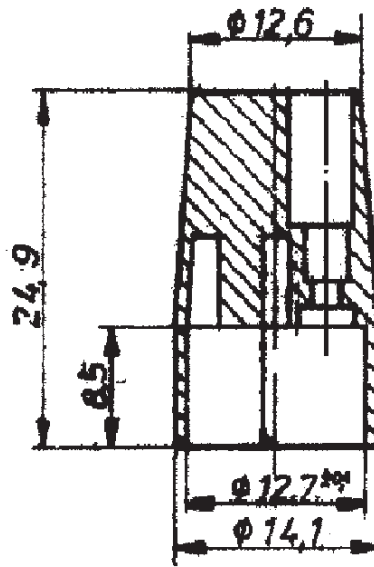
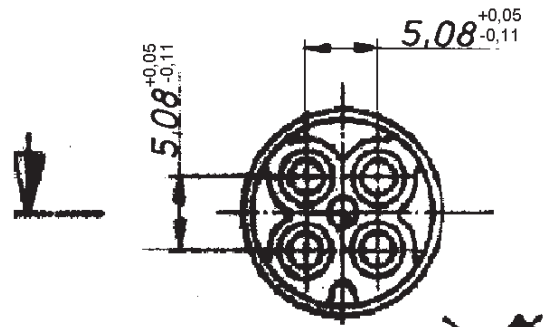


LOC	DIST	REVISIONS					
AL	2	P	LTR	DESCRIPTION	DATE	DWN	APVD
			H5	REVISED PER ECR-15-014424	18NOV2015	NK	EW



- 1 OBSOLETE PARTS: OBSOLETE CIS STREAMLINING PER D.RENAUD/D.SINISI
- 2 FROST TE LOGO ON THIS SURFACE PER P/N: 1621426-4

1 OBSOLETE

1 OBSOLETE

925075-7	PA66 GWT 750°C-V0	NATURAL
925075-6	PA6 GWT750°C-V2	NATURAL
925075-4	PA66	RED
925075-3	PA66	BLACK
925075-2	PA66 UL94	WHITE
925075-1	PA66 UL94	NATURAL
925075-0	PA66	NATURAL
PN	MATERIAL	COLOUR

THIS DRAWING IS UNPUBLISHED.
 ALL RIGHTS RESERVED.
 BY I
 COPYRIGHT I
 ©

DIMENSIONS: mm		DWN J. SALO 10AUG2009	MATERIAL SEE TABLE	FINISH -
TOLERANCES UNLESS OTHERWISE SPECIFIED:		CHK R. SOLE 10AUG2009	TE Connectivity	
0 PLC ±-	1 PLC ±0,4	APVD G. TURCO 10AUG2009		
2 PLC ±0,4	3 PLC ±-	PRODUCT SPEC -	NAME 4 WAY CIRCULAR MATE-N-LOK PIN HOUSING	
4 PLC ±-	ANGLES ±° 30'	APPLICATION SPEC -	SIZE A4	CAGE CODE -
		WEIGHT -	DRAWING NO C=925075	RESTRICTED TO -
CUSTOMER DRAWING			SCALE 2:1	SHEET 1 OF 1 REV H5