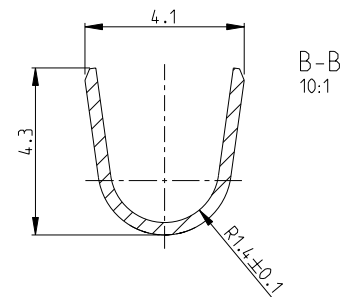
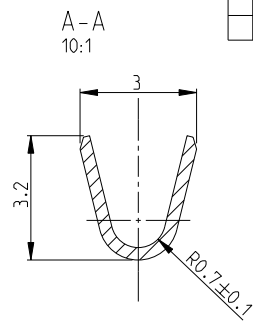
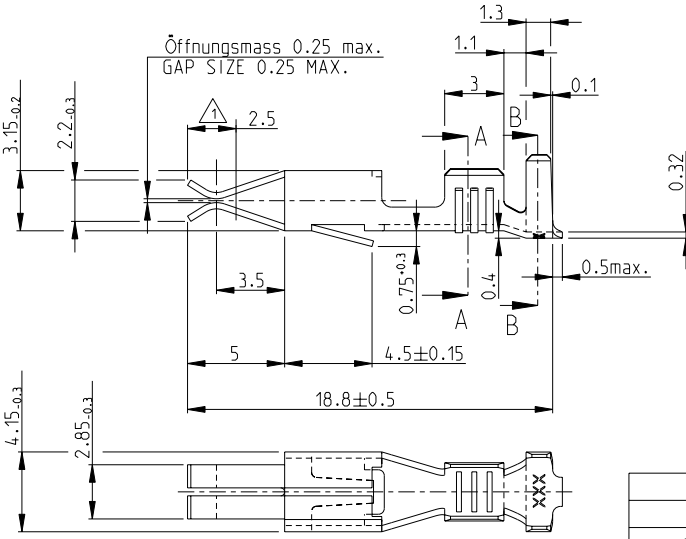


THIS DRAWING IS UNPUBLISHED. RELEASED FOR PUBLICATION 2005
 © COPYRIGHT 2005 ALL RIGHTS RESERVED.

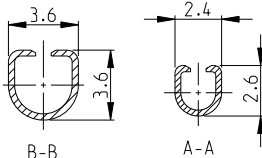
LOC	DIST	REVISIONS			
P	LTR	DESCRIPTION	DATE	DWN	APVD
Y2		REVISED PER ECO-11-005027	19MAY2011	RK	HMR



Leitung / WIRE : FLK-Leitng / FLK-WIRE
 Leiter / WIRE : F-Crimp
 Isolation : F-Crimp

Drahtgrößenbereich 0.5-1.5 mm²
 WIRE RANGE 0.5-1.5 mm²
 Isolationsbereich Ø2.0-3.0 mm
 INSULATION RANGE Ø2.0-3.0 mm

Loose Piece
 PN 925596



Einzel-anschlag SINGLE CONNECTION	Leitungsquerschnitt in mm ² CROSS - SECTION IN mm ²						
	0.50	0.75	1.00	1.50	2.00	2.50	3.00
0.50	X	X					
0.75	X						
1.00	X						
1.50	X						
2.00							
2.50							
3.00							

SPLICE FREE	1-925596-1	CuSn4	vorverzinkt/PRETINED	1-925590-1	Y
	1-925596-0	CuNi12Zn24	blank/PLAIN	1-925590-0	Y
nur für/ONLY FOR TYCO GB	925596-9	CuSn4	vorverzinkt/PRETINED	925590-9	Y
nur für/ONLY FOR TYCO Brasilien/BRASIL	925596-8	CuSn4	verzinkt/ELECTRO TIN	925590-8	Y
	925596-6	CuSn4	versilbert/SILVER PLATED	925590-6	Y
	925596-5	CuSn4	blank/PLAIN	925590-5	Y
	925596-4	CuZn30	vorversilbert/PRESILVER	925590-4	Y
	925596-3	CuSn4	vergoldet/GOLD PLATED	925590-3	Y
	925596-2	CuSn4	vorverzinkt/PRETINED	925590-2	Y
	925596-1	CuZn30	vorverzinkt/PRETINED	925590-1	Y
Bemerkungen/NOTES	LOOSE PIECE MATERIAL		SURFACE COLOR	PART NO	REV

THIS DRAWING IS A CONTROLLED DOCUMENT.

DIMENSIONS: mm

TOLERANCES UNLESS OTHERWISE SPECIFIED: ±0.2

MATERIAL: - FINISH: -

19SEP2005
 Abraham.G.
 20SEP2005
 Brunner.M.
 21SEP2005
 Bleicher.M.

108-18053
 114-18079

WEIGHT: 0.35 g

CUSTOMER DRAWING

STE TE Connectivity

Junior-Timer-Kontakt
 JUNIOR-TIMER-CONTACT

SIZE: A3 CAGE CODE: 00779 DRAWING NO: 925590 RESTRICTED TO: -

SCALE: 5:1 SHEET: 1 OF 1 REV: Y2