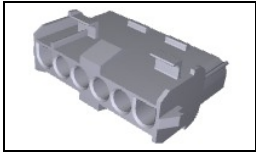


## 926307-1 Product Details

[Share](#) [Print](#) [Email](#)



**926307-1**

TE Internal Number: 926307-1

Active

View 3D PDF

### .250" Centerline, 600 V, 19 - 36 A max

Always EU RoHS/ELV Compliant (Statement of Compliance)

#### Product Highlights:

- Universal MATE-N-LOK Product Line
- Wire-to-Panel / Wire-to-Wire
- Applies To Panel, Applies To Wire/Cable
- Connector
- Housing

[View all Features](#)

#### Quick Links

- ▶ Pricing & Availability
- ▶ Search for Tooling
- ▶ View Mating Products (1)
- ▶ View Contacts (166)
- ▶ Product Feature Selector
- ▶ Contact Us About This Product

[Add to My Part List](#) [Request Sample](#) [Find Similar Products](#) [Buy Product](#)

### Documentation & Additional Information

#### Product Drawings:

- [Universal MATE-N-LOK 6-pol. Aufnahmegehäuse](#) (PDF, English)

#### Catalog Pages/Data Sheets:

- [SOFT\\_SHELL\\_PIN\\_SOCKET\\_CONNECTORS\\_STANDARD\\_DENSITY](#) (PDF, English)

#### Product Specifications:

- None Available

#### Application Specifications:

- None Available

#### Instruction Sheets:

- [Universal MATE-N-LOK Connectors](#) (PDF, English)

#### CAD Files: (CAD Format & Compression Information)

- [2D Drawing](#) (DXF, Version G1)
- [3D Model](#) (IGES, Version G1)
- [3D Model](#) (STEP, Version G1)

#### Additional Information:

- [Product Line Information](#)

#### Additional Product Images:

- [Panel Cutout](#)

#### Related Products:

- [Tooling](#)
- [Mating Products \(1\)](#)
- [Contacts \(166\)](#)

[List all Documents](#)

### Product Features (Please use the Product Drawing for all design activity)

#### Product Type Features:

- Product Line = Universal MATE-N-LOK
- Product Type = Connector
- Connector Type = Housing
- Sealed = No
- UL File Number = E28476
- CSA File Number = LR 7189

#### Mechanical Attachment:

- Contact Retention = Without
- Mating Retention Type = Positive Lock
- Panel Mount Retention = With
- Panel Mount Retention Type = Patch and Tabs

#### Electrical Characteristics:

- Operating Voltage Reference = AC/DC
- Operating Voltage (VAC) = 600
- Operating Voltage (VDC) = 600

#### Dimensions:

- Panel Thickness (mm [in]) = 0.76 - 2.29 [0.030 - 0.090]

#### Body Features:

- Mating Retention = With
- Assembly Integration Feature = Without

#### Contact Features:

- Contact Type = Pin or Socket
- Contact Layout = In-Line
- Multiple Contact Types = Without

#### Housing Features:

- Connector Style = Receptacle
- Centerline (mm [in]) = 6.35 [0.2499]
- Housing Material = PA
- Housing Color = Natural
- UL Flammability Rating = UL 94V-2
- Mating Alignment = With
- Mating Alignment Type = Polarization

#### Configuration Features:

- Number of Positions = 6
- Number of Rows = 1
- Strain Relief = With

#### Industry Standards:

- Agency/Standard = CSA, UL
- [RoHS/ELV Compliance](#) = RoHS compliant, ELV compliant
- [Lead Free Solder Processes](#) = Not relevant for lead free process
- RoHS/ELV Compliance History = Always was RoHS compliant
- VDE Tested = Yes
- UL Rating = Recognized
- CSA Rating = Certified

#### Environmental:

- Operating Temperature (°C [°F]) = -55 - +125 [-67 - +257]

#### Conditions for Usage:

- Applies To = Panel, Wire/Cable
- Glow Wire Rating = Standard Part - Not Glow Wire
- For Use With = Appropriate Universal MATE-N-LOK Plug

#### Operation/Application:

- Application Use = Wire-to-Panel / Wire-to-Wire

#### Packaging Features:

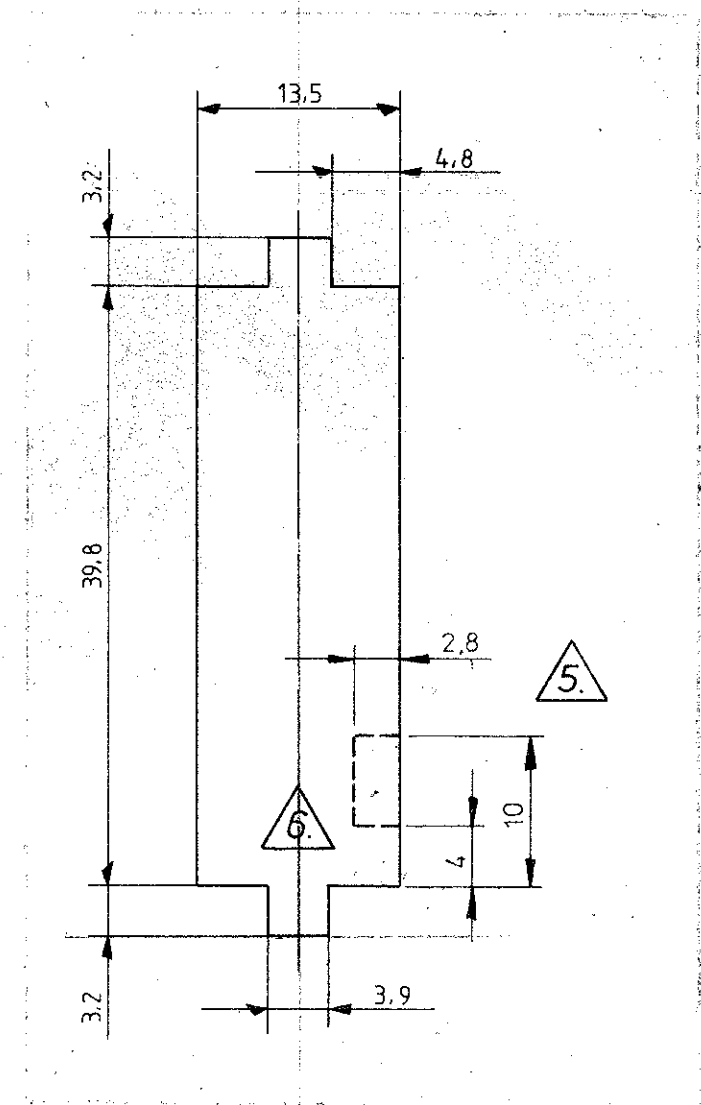
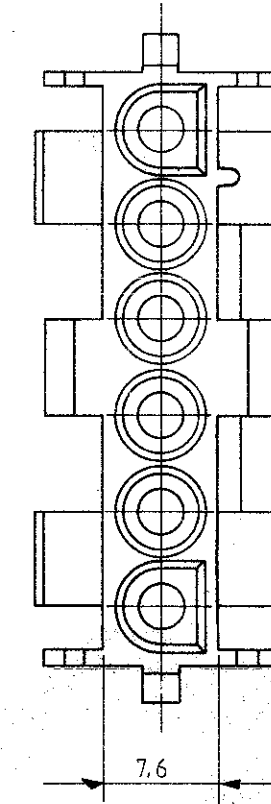
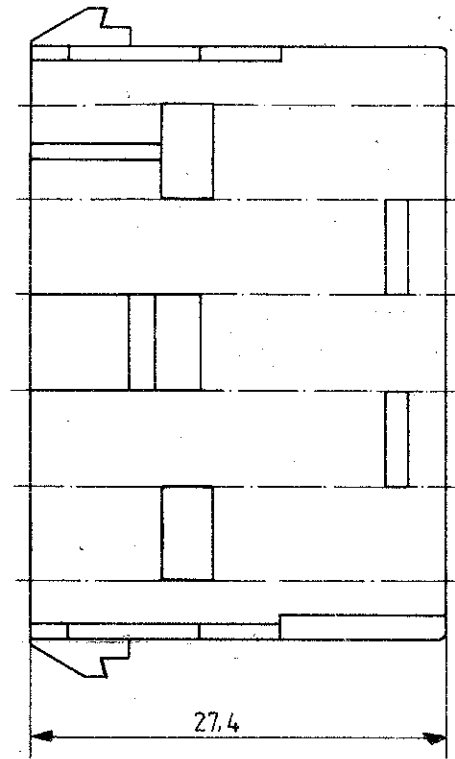
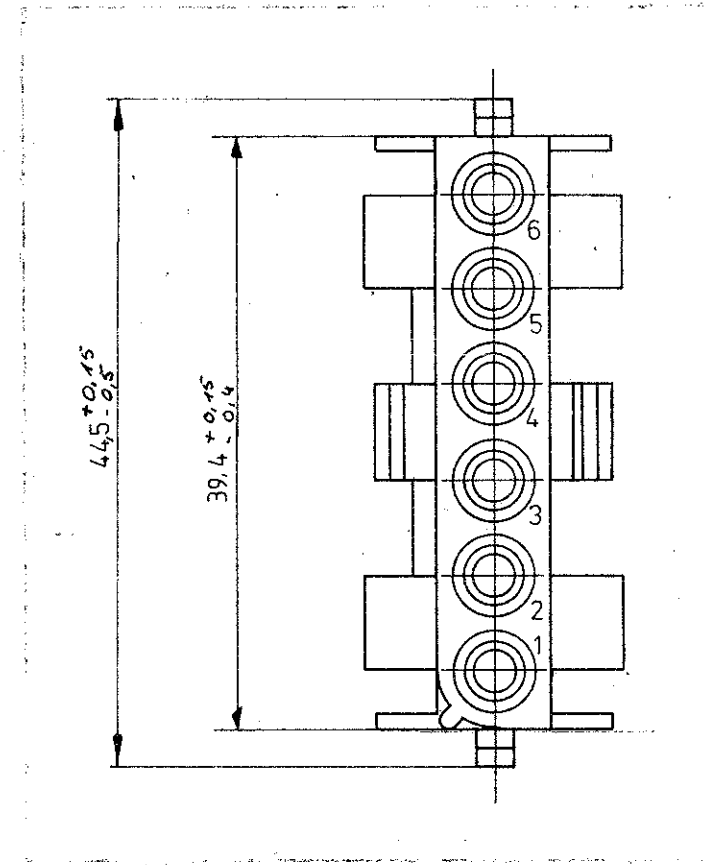
- Packaging Method = Bag
- Packaging Quantity = 1,200

#### Other:

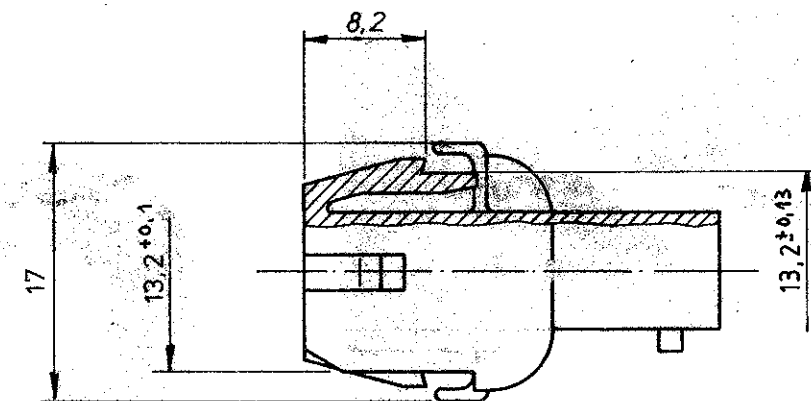
- Brand = AMP

Zeichnung geschützt durch  
 © Copyright 1980  
 AMP DEUTSCHLAND GmbH  
 Alle Rechte vorbehalten

Index	Aenderung	Tag	Name
01	Zchnng. neu erstellt, ergänzt u. berichtigt	20.05.81	Tudman
02	Tabelle ergänzt	12.01.82	Tudman
03	Material für -1 spezifiziert	31.01.85	Orlme
04	Einbaumaß ergänzt	20.02.85	Kirschn
05	Material für -1 geändert	15.06.88	Fischel
6	NEUES MATERIAL $\Delta$	26.JAN.86	R. BLU.
G1	44,5 ± 0,13 ch. to +0,15-0,5/39,4 ± 0,13 ch. to +0,15-0,4	18.01.00	Göppel. C



Montageausschnitt  $\Delta$  3  
 (Bestückungsseite)



- $\Delta$  7 NEUES MATERIAL (PHOSPHOR UND HALOGEN FREI)
- $\Delta$  6 Position von Kammer 1 bei verschlüsseltem Einsetzen der Gehäuse
- $\Delta$  5 Für verschlüsseltes Einsetzen der Gehäuse
- 4. Gehäuse muß in Stanzrichtung eingeführt werden
- $\Delta$  3 Empfohlene Blechstärke 0,75 - 2,3 mm
- 2. Passend zu UMNL-Steckergehäuse. 926 300, 640 581, 640 585
- 1. Geeignet für UMNL Stift- und Buchsenkontakte

Änderungen, die dem technischen Fortschritt dienen, behalten wir uns vor.

926 307 - 4	PA6.6UL94-V0 weiß	AMP DEUTSCHLAND GmbH Langen b Ffm	Benennung <b>Universal MATE-N-LOK</b> <b>6-pol. Aufnahmegehäuse</b>			
926 307 - 3	PA6.6UL94-V0 $\Delta$ NATURAL					
926 307 - 2	PA6.6UL94-V0 schwarz					
926 307 - 1	Zytel EFE 1030 natur UL94 V-2					
Bestell-Nr.	Werkstoff	Oberfläche Farbe	Nicht tolerierte Maße ± 0,13 mm ±	Format <b>C</b>	Zeichnungs-Nr. <b>926 307</b>	<b>G1</b>
Gez. 20.05.81	Gepr. 1.6.81	Gepr.	Maßstab 2:1	Blatt-Nr.		