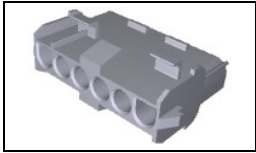


926307-3 Product Details

[Share](#) [Print](#) [Email](#)



926307-3

TE Internal Number: 926307-3

Active

View 3D PDF

.250" Centerline, 600 V, 19 - 36 A max

Always EU RoHS/ELV Compliant (Statement of Compliance)

Product Highlights:

- Universal MATE-N-LOK Product Line
- Wire-to-Panel / Wire-to-Wire
- Applies To Panel, Applies To Wire/Cable
- Connector
- Housing

[View all Features](#)

Quick Links

- ▶ [Pricing & Availability](#)
- ▶ [Search for Tooling](#)
- ▶ [View Mating Products \(1\)](#)
- ▶ [View Contacts \(166\)](#)
- ▶ [Product Feature Selector](#)
- ▶ [Contact Us About This Product](#)

[Add to My Part List](#)

[Request Sample](#)

[Find Similar Products](#)

[Buy Product](#)

Documentation & Additional Information

Product Drawings:

- [Universal MATE-N-LOK 6-pol. Aufnahmegehäuse \(PDF, English\)](#)

Catalog Pages/Data Sheets:

- [SOFT_SHELL_PIN_SOCKET_CONNECTORS_STANDARD_DENSITY \(PDF, English\)](#)

Product Specifications:

- None Available

Application Specifications:

- None Available

Instruction Sheets:

- [Universal MATE-N-LOK Connectors \(PDF, English\)](#)

CAD Files: (CAD Format & Compression Information)

- [2D Drawing \(DXF, Version G1\)](#)
- [3D Model \(IGES, Version G1\)](#)
- [3D Model \(STEP, Version G1\)](#)

[List all Documents](#)

Additional Information:

- [Product Line Information](#)

Additional Product Images:

- [Panel Cutout](#)

Related Products:

- [Tooling](#)
- [Mating Products \(1\)](#)
- [Contacts \(166\)](#)

Product Features (Please use the Product Drawing for all design activity)

Product Type Features:

- Product Line = Universal MATE-N-LOK
- Product Type = Connector
- Connector Type = Housing
- Sealed = No
- UL File Number = E28476
- CSA File Number = LR 7189

Mechanical Attachment:

- Contact Retention = Without
- Mating Retention Type = Positive Lock
- Panel Mount Retention = With
- Panel Mount Retention Type = Patch and Tabs

Electrical Characteristics:

- Operating Voltage Reference = AC/DC
- Operating Voltage (VAC) = 600
- Operating Voltage (VDC) = 600

Dimensions:

- Panel Thickness (mm [in]) = 0.76 - 2.29 [0.030 - 0.090]

Body Features:

- Mating Retention = With
- Assembly Integration Feature = Without

Contact Features:

- Contact Type = Pin or Socket
- Contact Layout = In-Line
- Multiple Contact Types = Without

Housing Features:

- Connector Style = Receptacle
- Centerline (mm [in]) = 6.35 [0.2499]
- Housing Material = PA 6.6
- Housing Color = Natural
- UL Flammability Rating = UL 94V-0
- Mating Alignment = With
- Mating Alignment Type = Polarization

Configuration Features:

- Number of Positions = 6
- Number of Rows = 1
- Strain Relief = With

Industry Standards:

- Agency/Standard = UL, CSA
- [RoHS/ELV Compliance](#) = RoHS compliant, ELV compliant
- [Lead Free Solder Processes](#) = Not relevant for lead free process
- RoHS/ELV Compliance History = Always was RoHS compliant
- VDE Tested = Yes
- UL Rating = Recognized
- CSA Rating = Certified

Environmental:

- Operating Temperature (°C [°F]) = -55 - +125 [-67 - +257]

Conditions for Usage:

- Applies To = Panel, Wire/Cable
- Glow Wire Rating = Standard Part - Not Glow Wire
- For Use With = Appropriate Universal MATE-N-LOK Plug

Operation/Application:

- Application Use = Wire-to-Panel / Wire-to-Wire

Packaging Features:

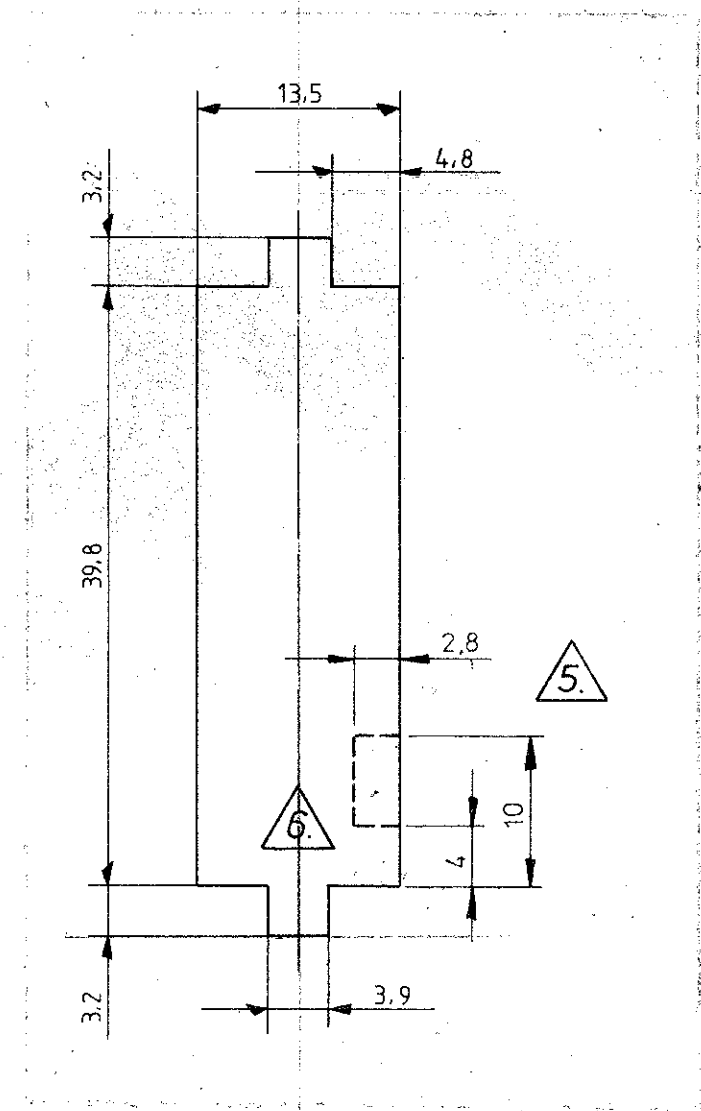
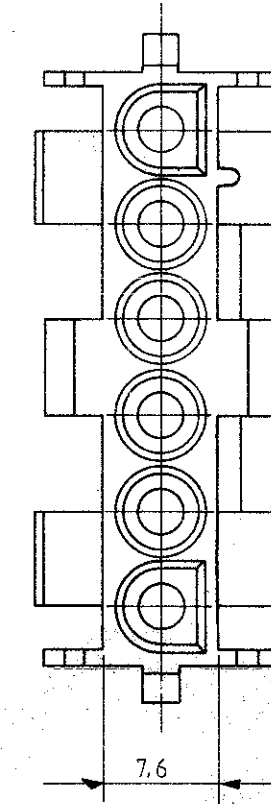
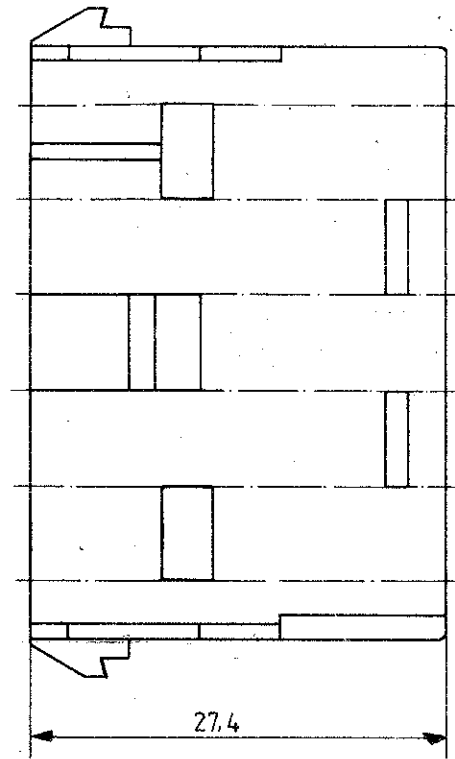
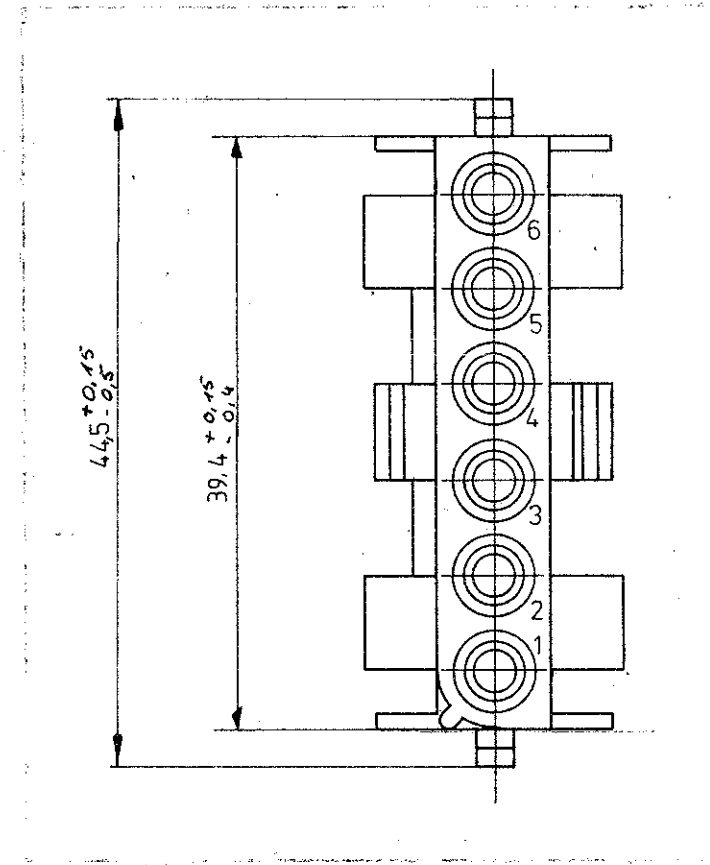
- Packaging Method = Bag
- Packaging Quantity = 1,200

Other:

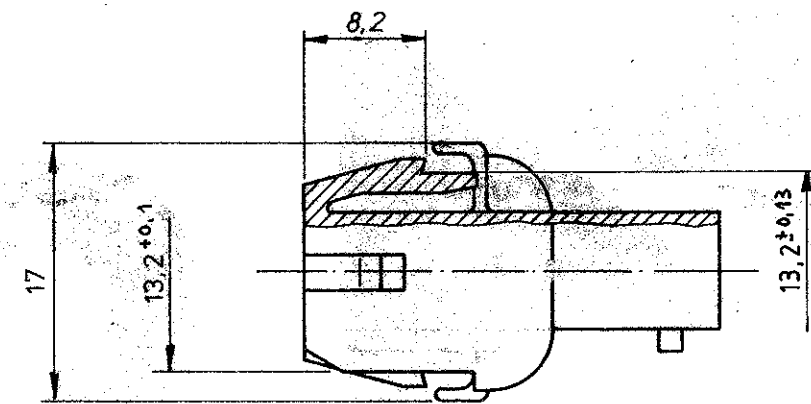
- Brand = AMP

Zeichnung geschützt durch
 © Copyright 1980
 AMP DEUTSCHLAND GmbH
 Alle Rechte vorbehalten

Index	Anderung	Tag	Name
01	Zchnng. neu erstellt, ergänzt u. berichtigt	20.05.81	Tudman
02	Tabelle ergänzt	12.01.82	Tudman
03	Material für -1 spezifiziert	31.01.85	Orlme
04	Einbaumaß ergänzt	20.02.85	Kirschn
05	Material für -1 geändert	15.06.88	Fischel
6	NEUES MATERIAL Δ	26.JAN.86	R. BLU.
G1	44,5 \pm 0,13 ch. to \pm 0,15-0,5/39,4 \pm 0,13 ch. to \pm 0,15-0,4	18.01.00	Göppel. C



Montageausschnitt Δ 3
 (Bestückungsseite)



- Δ 7 NEUES MATERIAL (PHOSPHOR UND HALOGEN FREI)
- Δ 6 Position von Kammer 1 bei verschlüsseltem Einsetzen der Gehäuse
- Δ 5 Für verschlüsseltes Einsetzen der Gehäuse
- 4. Gehäuse muß in Stanzrichtung eingeführt werden
- Δ 3 Empfohlene Blechstärke 0,75 - 2,3 mm
- 2. Passend zu UMNL-Steckergehäuse. 926 300, 640 581, 640 585
- 1. Geeignet für UMNL Stift- und Buchsenkontakte

Änderungen, die dem technischen Fortschritt dienen, behalten wir uns vor.

926 307 - 4 PA6.6UL94-V0 weiß		AMP AMP DEUTSCHLAND GmbH Langen b Ffm	
926 307 - 3 PA6.6UL94-V0 Δ NATURAL		Benennung	
926 307 - 2 PA6.6UL94-V0 schwarz		Universal MATE-N-LOK	
926 307 - 1 Zytel EFE 1030 natur UL94 V-2		6-pol. Aufnahmegehäuse K	
Bestell-Nr.	Werkstoff	Oberfläche Farbe	Nicht tolerierte Maße \pm 0,13 mm \pm
Gez. 20.05.81 Tud	Gepr. 1.6.81 GR	Gepr.	Format C
		Maßstab 2:1	Zeichnungs-Nr. 926 307
			Blatt-Nr. G1