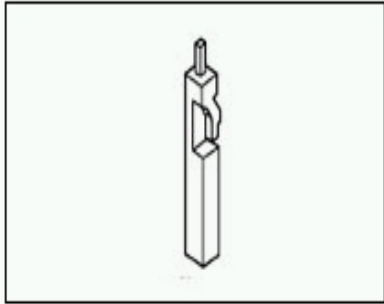


## 926519-2 Product Details


Have a Question?

Chat with a Product Information Specialist



926519-2

### .100 AMPMODU Headers, Housings & Contacts

 [Always EU RoHS/ELV Compliant \(Statement of Compliance\)](#)

#### Product Highlights:

- Accessory
- Accessory Type = Keying Plug
- Mod IV

[View all Features](#)

#### Quick Links

- ▶ [Check Pricing & Availability](#)
- ▶ [Search for Tooling](#)
- ▶ [Product Feature Selector](#)
- ▶ [Contact Us About This Product](#)

TE Internal Number: 926519-2

 **Active**

 [View 3D PDF](#)

 [Add to My Part List](#)  [Request Sample](#)  [Find Similar Products](#)  [Buy Product](#)

### Documentation & Additional Information

#### Product Drawings:

- [kodierung fur modu iv buchsengehause \(PDF, English\)](#)

#### Catalog Pages/Data Sheets:

- None Available

#### Product Specifications:

- [Interconnection System, AMPMODU Mod IV 1/2 \(PDF, English\)](#)

#### Application Specifications:

- None Available

#### Instruction Sheets:

- None Available

#### CAD Files: [\(CAD Format & Compression Information\)](#)

- [2D Drawing](#) (DXF, Version E)
- [3D Model](#) (IGES, Version E)
- [3D Model](#) (STEP, Version E)

#### Additional Information:

- [Product Line Information](#)

#### Related Products:

- [Tooling](#)

[List all Documents](#)

### Product Features (Please use the Product Drawing for all design activity)

#### Product Type Features:

- Product Type = Accessory
- [Accessory Type](#) = Keying Plug
- [Connector Series](#) = Mod IV
- Keying Plug Material = Polyamide 6.6
- For Use With = Receptacle Housing

#### Body Related Features:

- Keying Plug Color = Green

#### Housing Related Features:

- UL Flammability Rating = UL 94-HB

#### Industry Standards:

- [RoHS/ELV Compliance](#) = RoHS compliant, ELV compliant
- [Lead Free Solder Processes](#) = Not relevant for lead free process
- RoHS/ELV Compliance History = Always was RoHS compliant

#### Other:

- Brand = AMP

 [BOOKMARK](#) 

#### Corporate Information

[Who We Are](#)  
[Investors](#)  
[News Room](#)  
[Supplier Portal](#)  
[Careers](#)

#### Quick Links

[Check Distributor Inventory](#)  
[Cross Reference](#)  
[Find Documents & Drawings](#)  
[Product Compliance Support Center](#)  
[Site Map](#)

#### Customer Support

[Email or Chat with Us](#)  
[Find a Phone Number](#)  
[Search Knowledge Base](#)  
[Manage Your Account](#)

#### Sign up for our eNewsletter

Enter your email address

#### Follow Us On:



#### Visit Us On:

