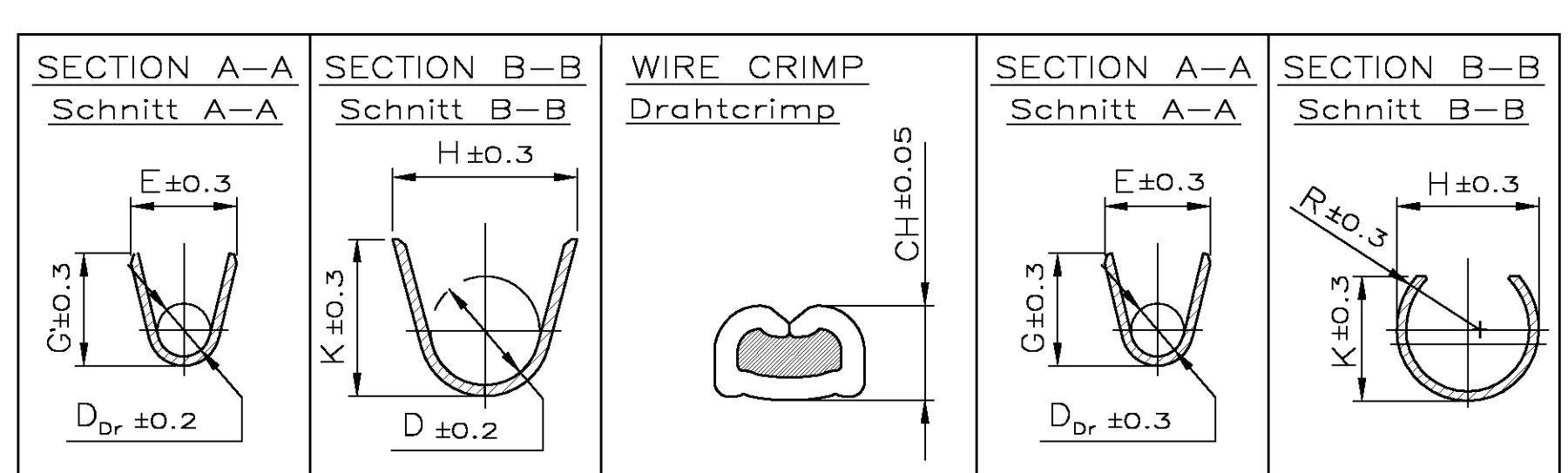
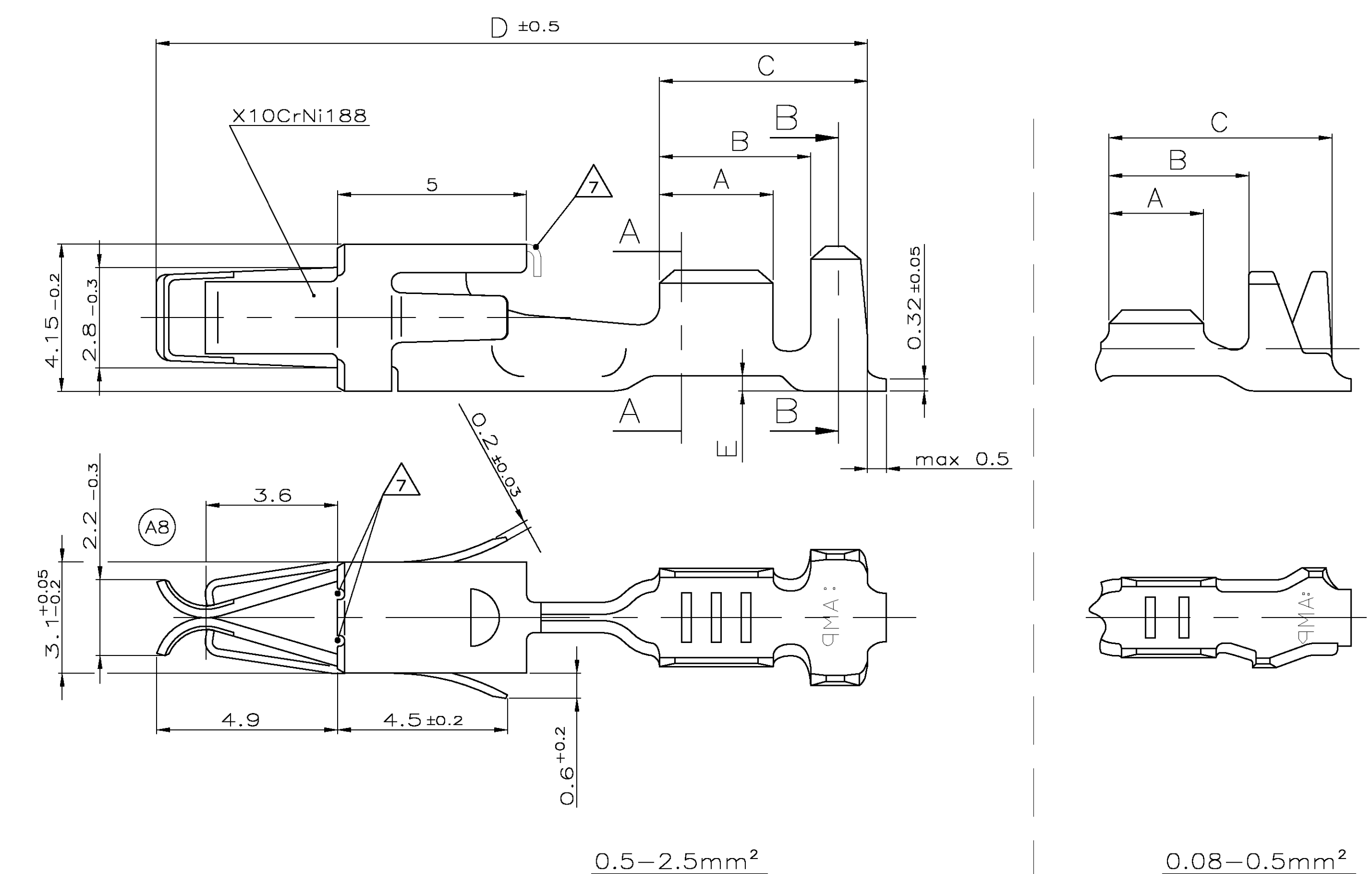
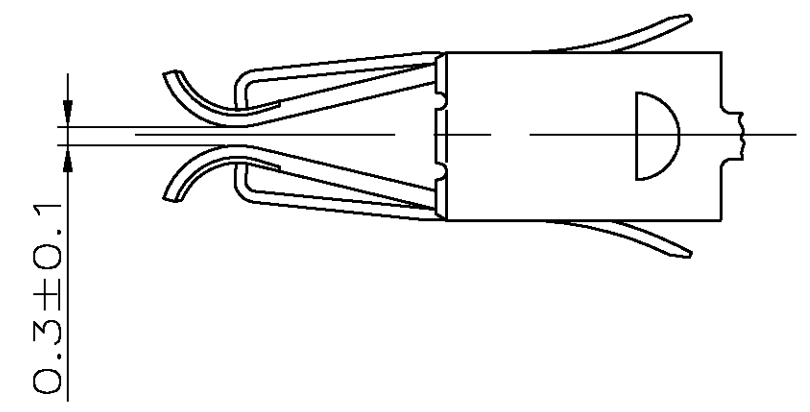


REMARKS
Bemerkungen

- 1 CONTACT BODY PRE-SILVER PLATED MIN. 0.8µm CONTACT ZONE SELECTIVE PRE-SILVER PLATED MIN. 3µm
Kontaktkoerper vorversilbert min. 0,8µm Kontaktzone selektiv vorversilbert min. 3µm
- 2 CONTACT ZONE GOLD PLATED MIN. 0.8µm OVER MIN. 1.3µm Ni-LAYER CRIMP AREA MIN. 1µm TIN PLATED OVER Ni-LAYER
Kontaktzone vergoldet min. 0,8µm ueber min. 1,3µm Ni-Zwischenschicht Crimpbereich min. 1µm verzinkt ueber Ni-Zwischenschicht
- 3 CANTILEVER SPRING INSIDE AND OUTSIDE 0.4-1.2µm Au
Ueberfeder innen und aussen 0,4-1,2µm Au
- 4 CONTACT BODY, CONTACT SPRING INSIDE AND CRIMP AREA MIN. 1µm TIN PLATED OVER Ni-LAYER, TOUCHING AREA TO CANTILEVER SPRING AND CONTACT SPRING OUTSIDE SELECTIVE 0.8µm Au OVER MIN. 1.3µm Ni-LAYER
Kontaktkoerper, Kontaktfeder innen und Crimpbereich min. 1µm verzinkt ueber Ni-Zwischenschicht, Anlageflaeche zur Ueberfeder und Kontaktfeder aussen selektiv 0,8µm vergoldet ueber min. 1µm Ni-Zwischenschicht
- 5 CONTACT ZONE AND TOUCHING AREA TO CANTILEVER SPRING MIN. 0.8µm SELECTIVE Au PLATED OVER 1.3µm Ni PLATED, CRIMP AREA MIN. 1µm TIN PLATED OVER Ni-LAYER
Kontaktzone und Anlageflaeche zur Ueberfeder min. 0,8µm vergoldet ueber min. 1,3µm Ni-Zwischenschicht Crimpbereich min. 1µm verzinkt ueber Ni-Zwischenschicht
- 6 CONTACT BODY AND CRIMP AREA MIN. 1µm TIN PLATED OVER Ni-LAYER, TOUCHING AREA TO CANTILEVER SPRING SELECTIVE 0.8µm Au OVER MIN. 1.3µm Ni-LAYER
Kontaktkoerper und Crimpbereich min. 1µm verzinkt ueber Ni-Zwischenschicht Anlageflaeche zur Ueberfeder selektiv 0,8µm vergoldet ueber min. 1,3µm Ni-Zwischenschicht
- 7 CONTACT OFF OPTIONAL
Abschnitt Freischnitt optional
- 8 CONTACT RE-TREATED WITH LUBRICANT BARRIERTA DISPERSION
Kontakt mit Gleitmittel Barrierta Dispersion behandelt
- 9 VARIANTS WITH GAP-SIZE 0.3±0.1mm
Varianten mit Gap-Size 0.3±0.1mm



ORDER-NO.	REV	TE ORDER-NO.	MATERIAL	SURFACE	DGB [mm²]	WIRE CRIMP	WIRE CRIMP HEIGHT CH	LOOSE PIECE	APPLICATION TOOL	HAND TOOL	A	B	C	D	E
928810-3	A	928810-4	CuSn4	vorverzinkt min 1µm	0.5-1.0	E = 2.6 G = 2.8 Dbr = 1.1	H = 3.6 K = 3.9 D = 1.8	0.5mm² = 1.18 0.75mm² = 1.27 1.0mm² = 1.36	MQC-Applicator 878181-2	539635-1 mit Matrize: 539674-2	3.0	4.0	5.5	18.8	0.4
928810-1	A	928810-2	CuSn4	vorverzinkt min 1µm	FLR	E = 2.6 G = 2.8 Dbr = 1.1	H = 3.6 K = 3.9 D = 1.8	0.5mm² = 1.18 0.75mm² = 1.27 1.0mm² = 1.36	MQC-Applicator 878181-2	539635-1 mit Matrize: 539674-2	3.0	4.0	5.5	18.8	0.4
963884-2	A	963885-2	CuSn4	vorverzinkt min 1µm	>1.0-2.5	E = 3.6 G = 3.8 Dbr = 1.8	H = 4.7 K = 4.9 D = 2.6	1.25mm² = 1.44 1.5mm² = 1.51 2.0mm² = 1.64 2.5mm² = 1.77	MQC-Applicator 878180-2	539635-1 mit Matrize: 539674-2	3.3	4.3	5.8	18.8	0.4
963884-1	A	963885-1	CuSn4	vorverzinkt min 1µm	FLR	E = 3.6 G = 3.8 Dbr = 1.8	H = 4.7 K = 4.9 D = 2.6	1.25mm² = 1.44 1.5mm² = 1.51 2.0mm² = 1.64 2.5mm² = 1.77	MQC-Applicator 878180-2	539635-1 mit Matrize: 539674-2	3.3	4.3	5.8	18.8	0.4
2-927773-1	P	2-927781-1	CuSn4	2	>1.0-2.5	E = 3.6 G = 3.8 Dbr = 1.8	H = 5.5 K = 5.8 D = 3.6	1.25mm² = 1.44 1.5mm² = 1.51 2.0mm² = 1.64 2.5mm² = 1.77	MQC-Applicator 878190-2	539635-1 mit Matrize: 539674-2	3.3	4.3	5.8	18.8	0.4
1-927773-1	P	1-927781-1	CuFe2	1	FLK	E = 3.6 G = 3.8 Dbr = 1.8	H = 5.5 K = 5.8 D = 3.6	1.25mm² = 1.44 1.5mm² = 1.51 2.0mm² = 1.64 2.5mm² = 1.77	MQC-Applicator 878190-2	539635-1 mit Matrize: 539674-2	3.3	4.3	5.8	18.8	0.4
927773-6	N	927781-6	CuSn4	1	FLK	E = 3.6 G = 3.8 Dbr = 1.8	H = 5.5 K = 5.8 D = 3.6	1.25mm² = 1.44 1.5mm² = 1.51 2.0mm² = 1.64 2.5mm² = 1.77	MQC-Applicator 878190-2	539635-1 mit Matrize: 539674-2	3.3	4.3	5.8	18.8	0.4
927773-3	N	927781-3	CuSn4	vorverzinkt min 1µm	FLK	E = 3.6 G = 3.8 Dbr = 1.8	H = 5.5 K = 5.8 D = 3.6	1.25mm² = 1.44 1.5mm² = 1.51 2.0mm² = 1.64 2.5mm² = 1.77	MQC-Applicator 878190-2	539635-1 mit Matrize: 539674-2	3.3	4.3	5.8	18.8	0.4
927773-1	N	927781-1	CuFe2	vorverzinkt min 1µm	FLK	E = 3.6 G = 3.8 Dbr = 1.8	H = 5.5 K = 5.8 D = 3.6	1.25mm² = 1.44 1.5mm² = 1.51 2.0mm² = 1.64 2.5mm² = 1.77	MQC-Applicator 878190-2	539635-1 mit Matrize: 539674-2	3.3	4.3	5.8	18.8	0.4
2-927768-1	R	2-927777-1	CuSn4	2	>1.0-2.5	E = 3.6 G = 3.8 Dbr = 1.8	H = 4.7 K = 4.9 D = 2.6	1.25mm² = 1.44 1.5mm² = 1.51 2.0mm² = 1.64 2.5mm² = 1.77	MQC-Applicator 878180-2	539635-1 mit Matrize: 539674-2	3.3	4.3	5.8	18.8	0.4
1-927768-1	R	1-927777-1	CuFe2	2	FLR	E = 3.6 G = 3.8 Dbr = 1.8	H = 4.7 K = 4.9 D = 2.6	1.25mm² = 1.44 1.5mm² = 1.51 2.0mm² = 1.64 2.5mm² = 1.77	MQC-Applicator 878180-2	539635-1 mit Matrize: 539674-2	3.3	4.3	5.8	18.8	0.4
927768-9	P	927777-9	CuSn4	3 4	FLR	E = 3.6 G = 3.8 Dbr = 1.8	H = 4.7 K = 4.9 D = 2.6	1.25mm² = 1.44 1.5mm² = 1.51 2.0mm² = 1.64 2.5mm² = 1.77	MQC-Applicator 878180-2	539635-1 mit Matrize: 539674-2	3.3	4.3	5.8	18.8	0.4
927768-6	P	927777-6	CuSn4	1	FLR	E = 3.6 G = 3.8 Dbr = 1.8	H = 4.7 K = 4.9 D = 2.6	1.25mm² = 1.44 1.5mm² = 1.51 2.0mm² = 1.64 2.5mm² = 1.77	MQC-Applicator 878180-2	539635-1 mit Matrize: 539674-2	3.3	4.3	5.8	18.8	0.4
927768-3	P	927777-3	CuSn4	vorverzinkt min 1µm	FLR	E = 3.6 G = 3.8 Dbr = 1.8	H = 4.7 K = 4.9 D = 2.6	1.25mm² = 1.44 1.5mm² = 1.51 2.0mm² = 1.64 2.5mm² = 1.77	MQC-Applicator 878180-2	539635-1 mit Matrize: 539674-2	3.3	4.3	5.8	18.8	0.4
927768-1	P	927777-1	CuFe2	vorverzinkt min 1µm	FLR	E = 3.6 G = 3.8 Dbr = 1.8	H = 4.7 K = 4.9 D = 2.6	1.25mm² = 1.44 1.5mm² = 1.51 2.0mm² = 1.64 2.5mm² = 1.77	MQC-Applicator 878180-2	539635-1 mit Matrize: 539674-2	3.3	4.3	5.8	18.8	0.4
2-927771-2	N	2-927779-2	CuSn4	3 6	0.5-1.0	E = 2.6 G = 2.8 Dbr = 1.1	H = 3.6 K = 3.9 D = 1.8	0.5mm² = 1.18 0.75mm² = 1.27 1.0mm² = 1.36	MQC-Applicator 878181-2	539635-1 mit Matrize: 539674-2	3	4	5.5	18.8	0.4
2-927771-1	N	2-927779-1	CuSn4	2	FLR	E = 2.6 G = 2.8 Dbr = 1.1	H = 3.6 K = 3.9 D = 1.8	0.5mm² = 1.18 0.75mm² = 1.27 1.0mm² = 1.36	MQC-Applicator 878181-2	539635-1 mit Matrize: 539674-2	3	4	5.5	18.8	0.4
1-927771-1	N	1-927779-1	CuFe2	2	FLR	E = 2.6 G = 2.8 Dbr = 1.1	H = 3.6 K = 3.9 D = 1.8	0.5mm² = 1.18 0.75mm² = 1.27 1.0mm² = 1.36	MQC-Applicator 878181-2	539635-1 mit Matrize: 539674-2	3	4	5.5	18.8	0.4
927771-9	M	927779-9	CuSn4	3 4	FLR	E = 2.6 G = 2.8 Dbr = 1.1	H = 3.6 K = 3.9 D = 1.8	0.5mm² = 1.18 0.75mm² = 1.27 1.0mm² = 1.36	MQC-Applicator 878181-2	539635-1 mit Matrize: 539674-2	3	4	5.5	18.8	0.4
927771-8	N	927779-8	CuSn4	3 5	FLR	E = 2.6 G = 2.8 Dbr = 1.1	H = 3.6 K = 3.9 D = 1.8	0.5mm² = 1.18 0.75mm² = 1.27 1.0mm² = 1.36	MQC-Applicator 878181-2	539635-1 mit Matrize: 539674-2	3	4	5.5	18.8	0.4
927771-6	M	927779-6	CuSn4	1	FLR	E = 2.6 G = 2.8 Dbr = 1.1	H = 3.6 K = 3.9 D = 1.8	0.5mm² = 1.18 0.75mm² = 1.27 1.0mm² = 1.36	MQC-Applicator 878181-2	539635-1 mit Matrize: 539674-2	3	4	5.5	18.8	0.4
927771-3	M	927779-3	CuSn4	vorverzinkt min 1µm	FLR	E = 2.6 G = 2.8 Dbr = 1.1	H = 3.6 K = 3.9 D = 1.8	0.5mm² = 1.18 0.75mm² = 1.27 1.0mm² = 1.36	MQC-Applicator 878181-2	539635-1 mit Matrize: 539674-2	3	4	5.5	18.8	0.4
927771-1	M	927779-1	CuFe2	vorverzinkt min 1µm	FLR	E = 2.6 G = 2.8 Dbr = 1.1	H = 3.6 K = 3.9 D = 1.8	0.5mm² = 1.18 0.75mm² = 1.27 1.0mm² = 1.36	MQC-Applicator 878181-2	539635-1 mit Matrize: 539674-2	3	4	5.5	18.8	0.4
2-927774-1	C	2-927776-1	CuSn4	2	0.2-0.5	E = 2.1 G = 2.1 Dbr = 0.8	H = 2.7 K = 2.8 D = 1.4	0.2mm² = 0.98 0.25mm² = 1.00 0.35mm² = 1.05 0.5mm² = 1.12	MQC-Applicator 878332-2	539635-1 mit Matrize: 539737-2	2.5	3.5	5.6	18.8	0.4
1-927774-1	C	1-927776-1	CuFe2	2	FLR	E = 2.1 G = 2.1 Dbr = 0.8	H = 2.7 K = 2.8 D = 1.4	0.2mm² = 0.98 0.25mm² = 1.00 0.35mm² = 1.05 0.5mm² = 1.12	MQC-Applicator 878332-2	539635-1 mit Matrize: 539737-2	2.5	3.5	5.6	18.8	0.4
927774-8	C	927776-8	CuSn4	3 5	FLR	E = 2.1 G = 2.1 Dbr = 0.8	H = 2.7 K = 2.8 D = 1.4	0.2mm² = 0.98 0.25mm² = 1.00 0.35mm² = 1.05 0.5mm² = 1.12	MQC-Applicator 878332-2	539635-1 mit Matrize: 539737-2	2.5	3.5	5.6	18.8	0.4
927774-6	B	927776-6	CuSn4	1	FLR	E = 2.1 G = 2.1 Dbr = 0.8	H = 2.7 K = 2.8 D = 1.4	0.2mm² = 0.98 0.25mm² = 1.00 0.35mm² = 1.05 0.5mm² = 1.12	MQC-Applicator 878332-2	539635-1 mit Matrize: 539737-2	2.5	3.5	5.6	18.8	0.4
927774-3	B	927776-3	CuSn4	vorverzinkt min 1µm	FLR	E = 2.1 G = 2.1 Dbr = 0.8	H = 2.7 K = 2.8 D = 1.4	0.2mm² = 0.98 0.25mm² = 1.00 0.35mm² = 1.05 0.5mm² = 1.12	MQC-Applicator 878332-2	539635-1 mit Matrize: 539737-2	2.5	3.5	5.6	18.8	0.4
927774-1	B	927776-1	CuFe2	vorverzinkt min 1µm	FLR	E = 2.1 G = 2.1 Dbr = 0.8	H = 2.7 K = 2.8 D = 1.4	0.2mm² = 0.98 0.25mm² = 1.00 0.35mm² = 1.05 0.5mm² = 1.12	MQC-Applicator 878332-2	539635-1 mit Matrize: 539737-2	2.5	3.5	5.6	18.8	0.4
2-963708-1	C	2-963777-1	CuSn4	2	0.08-0.2	E = 1.7 G = 1.7 Dbr = 0.6	H = 3.1 K = 3.2 D = 1.6	0.08mm² = 0.79 0.14mm² = 0.83 0.22mm² = 0.87	MQC-Applicator 878599-2	734414-1	2.5	3.7	5.9	18.8	0.4
1-963708-1	C	1-963777-1	CuFe2	2	Sonderleitung Isoφ 1.8-0.3	E = 1.7 G = 1.7 Dbr = 0.6	H = 3.1 K = 3.2 D = 1.6	0.08mm² = 0.79 0.14mm² = 0.83 0.22mm² = 0.87	MQC-Applicator 878599-2	734414-1	2.5	3.7	5.9	18.8	0.4
963708-6	B	963777-6	CuSn4	1	Sonderleitung Isoφ 1.8-0.3	E = 1.7 G = 1.7 Dbr = 0.6	H = 3.1 K = 3.2 D = 1.6	0.08mm² = 0.79 0.14mm² = 0.83 0.22mm² = 0.87	MQC-Applicator 878599-2	734414-1	2.5	3.7	5.9	18.8	0.4
963708-3	B	963777-3	CuSn4	vorverzinkt min 1µm	Sonderleitung Isoφ 1.8-0.3	E = 1.7 G = 1.7 Dbr = 0.6	H = 3.1 K = 3.2 D = 1.6	0.08mm² = 0.79 0.14mm² = 0.83 0.22mm² = 0.87	MQC-Applicator 878599-2	734414-1	2.5	3.7	5.9	18.8	0.4
963708-1	B	963777-1	CuFe2	vorverzinkt min 1µm	Sonderleitung Isoφ 1.8-0.3	E = 1.7 G = 1.7 Dbr = 0.6	H = 3.1 K = 3.2 D = 1.6	0.08mm² = 0.79 0.14mm² = 0.83 0.22mm² = 0.87	MQC-Applicator 878599-2	734414-1	2.5	3.7	5.9	18.8	0.4

UNSEALD
ungedichtet

THIS DRAWING IS NOT SUBJECT TO CONSTANT CHANGING SERVICE AND DOES NOT LAY CLAIM TO BE COMPLETE. FOR DEFINITE SPECIFICATION SEE RESPECTIVE AMP CUSTOMER DRAWINGS. FURTHER VERSIONS ON INQUIRY.

Diese Zeichnung unterliegt nicht dem ständigen Änderungsdienst und erhebt keinen Anspruch auf Vollständigkeit. Verbindliche Angaben sind der jeweiligen AMP-Kundenzeichnung zu entnehmen. Weitere Ausführungen auf Anfrage.

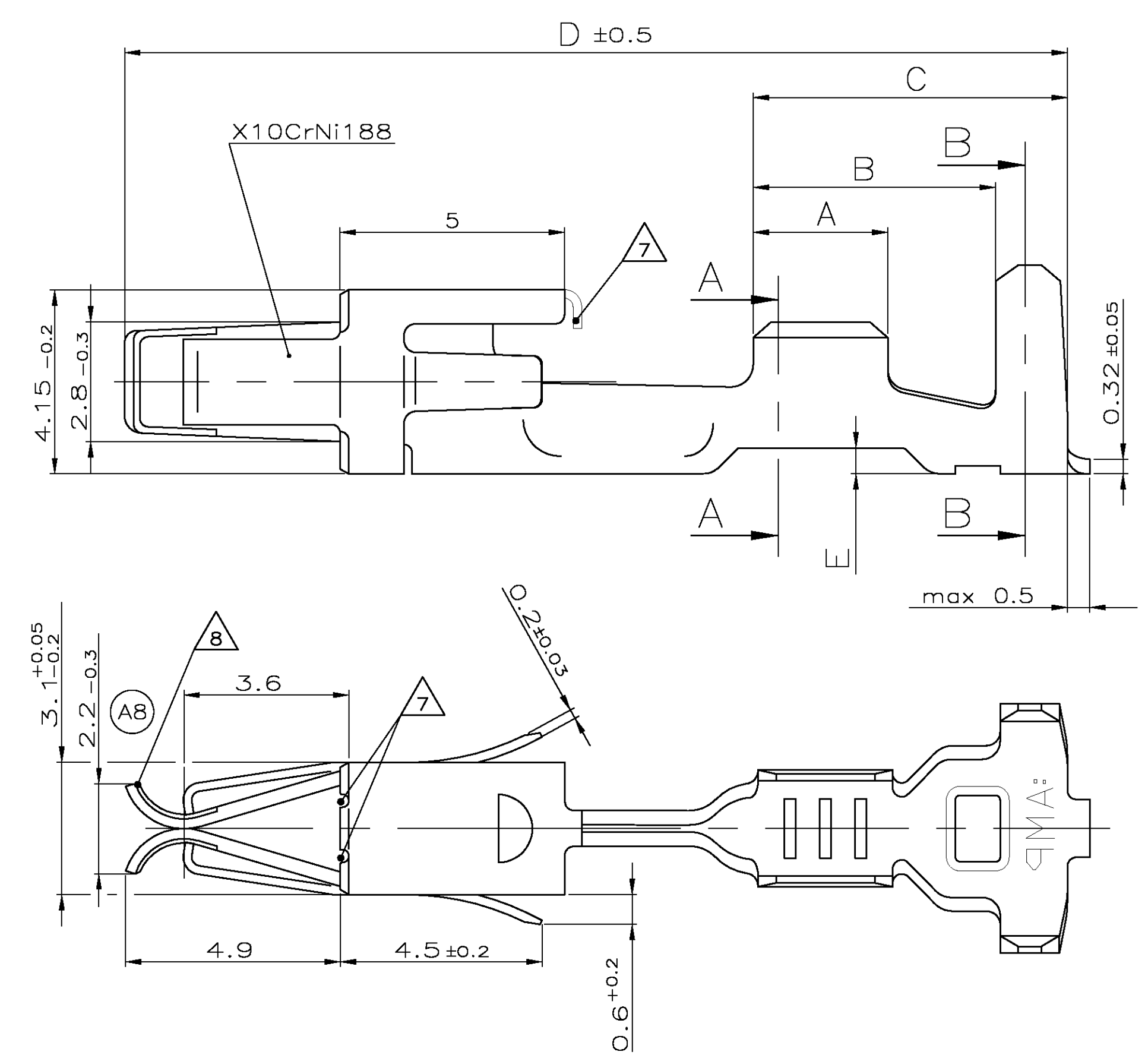
THIS DRAWING IS A CONTROLLED DOCUMENT SESSE ZIEHNUNG IST EIN KONTROLLIERTES DOKUMENT	DATE: 09-JUN-99 REV: 09-JUN-99	BY: J. Gerlach APP: J. Haß	FOR: Tyco Electronics 64625 Bensheim
PRODUCT SPEC: 108-18013 APPLICATION SPEC: 114-18050	PRODUCT GROUP DRAWING FOR: JUNIOR POWER TIMER CONTACT	SIZE: 10.1 SCALE: 1:1	REVISIONS: A0 00779 (REPLACES 116-18016-002)

UNDEALD / ungedichtet

REMARKS

Bemerkungen

- 1 CONTACT BODY PRE-SILVER PLATED MIN. 0.8µm CONTACT ZONE SELECTIVE PRE-SILVER PLATED MIN. 3µm
 Kontaktkoerper vorversilbert min. 0,8µm Kontaktzone selektiv vorversilbert min. 3µm
- 2 CONTACT ZONE GOLD PLATED MIN. 0.8µm OVER MIN. 1.3µm Ni-LAYER CRIMP AREA MIN. 1µm TIN PLATED OVER Ni-LAYER
 Kontaktzone vergoldet min. 0,8µm ueber min. 1,3µm Ni-Zwischenschicht Crimpbereich min. 1µm verzinkt ueber Ni-Zwischenschicht
- 3 CANTILEVER SPRING INSIDE AND OUTSIDE 0.4-1.2µm Au
 Ueberfeder innen und aussen 0,4-1,2µm Au
- 4 CONTACT BODY, CONTACT SPRING INSIDE AND CRIMP AREA MIN. 1µm TIN PLATED OVER Ni-LAYER, TOUCHING AREA TO CANTILEVER SPRING AND CONTACT SPRING OUTSIDE SELECTIVE 0.8µm Au OVER MIN. 1.3µm Ni-LAYER
 Kontaktkoerper, Kontaktfeder innen und Crimpbereich min. 1µm verzinkt ueber Ni-Zwischenschicht, Anlageflaeche zur Ueberfeder und Kontaktfeder aussen selektiv 0,8µm vergoldet ueber min. 1,3µm Ni-Zwischenschicht
- 5 CONTACT ZONE AND TOUCHING AREA TO CANTILEVER SPRING MIN. 0.8µm SELECTIVE Au PLATED OVER 1.3µm Ni PLATED, CRIMP AREA 1µm TIN PLATED OVER Ni-LAYER
 Kontaktzone und Anlageflaeche zur Ueberfeder min. 0,8µm vergoldet min. 1,3µm Ni-Zwischenschicht Crimpbereich min. 1µm verzinkt ueber Ni-Zwischenschicht
- 6 CONTACT BODY AND CRIMP AREA MIN. 1µm TIN PLATED OVER Ni-LAYER, TOUCHING AREA TO CANTILEVER SPRING SELECTIVE 0.8µm Au OVER MIN. 1.3µm Ni-LAYER
 Kontaktkoerper und Crimpbereich min. 1µm verzinkt ueber Ni-Zwischenschicht, Anlageflaeche zur Ueberfeder selektiv 0,8µm vergoldet ueber min. 1,3µm Ni-Zwischenschicht
- 7 CUT OFF OPTIONAL
 Abschnitt\Freischnitt optional
- 8 SWAGE ONLY FOR PN 929937, 929939, 929941
 Swage nur fuer PN 929937, 929939, 929941



SINGLE WIRE SEAL
 Einzel-Dichtungs-System

TE ORDER-NO. SINGLE SEAL Einzelichtung	TE ORDER-NO. DEAD END PLUG Blindstopfen	SECTION A-A Schnitt A-A					SECTION B-B Schnitt B-B		WIRE CRIMP Drahtcrimp	SECTION A-A Schnitt A-A		SECTION B-B Schnitt B-B		APPLICATION TOOL Anschlag-WKZ	HAND TOOL Handzange	EXTRACTION TOOL Ausdruckwerkzeug No.: 968107-1	A	B	C	D	E														
		E ±0.3	G ±0.3	D _{cr} ±0.2	H ±0.3	K ±0.3	H ±0.3	K ±0.3		E ±0.3	G ±0.3	D _{cr} ±0.3	H ±0.3									K ±0.3													
2-927766-1	E	2-929929-1	CuSn4	2	>1.0-2.5	E = 3.6	G = 3.8	D = 1.8	H = 5.4	K = 4.6	D = 3.2	2.5mm ² = 1.77	2.0mm ² = 1.64	1.5mm ² = 1.51	E = 2.8	G = 3.9	D = 1.7	H = 4.8	K = 4.2	R = 2.8	MQC-Applicator 2-878845-2	539635-1 mit Matrize: 539737-2	3.5	5.9	7.5	18.8	0.4	828905-1	828922-1						
1-927766-1	E	1-929929-1	CuFe2	2	>1.0-2.5	E = 3.6	G = 3.8	D = 1.8	H = 5.4	K = 4.6	D = 3.2	2.5mm ² = 1.77	2.0mm ² = 1.64	1.5mm ² = 1.51	E = 2.8	G = 3.9	D = 1.7	H = 4.8	K = 4.2	R = 2.8	MQC-Applicator 2-878845-2	539635-1 mit Matrize: 539737-2	3.5	5.9	7.5	21	0.4	828905-1	828922-1						
927766-3	D	929929-3	CuSn4	1	>1.0-2.5	E = 3.6	G = 3.8	D = 1.8	H = 5.4	K = 4.6	D = 3.2	2.5mm ² = 1.77	2.0mm ² = 1.64	1.5mm ² = 1.51	E = 2.8	G = 3.9	D = 1.7	H = 4.8	K = 4.2	R = 2.8	MQC-Applicator 2-878845-2	539635-1 mit Matrize: 539737-2	3.5	5.9	7.5	21	0.4	828905-1	828922-1						
927766-1	D	929929-1	CuFe2	1	>1.0-2.5	E = 3.6	G = 3.8	D = 1.8	H = 5.4	K = 4.6	D = 3.2	2.5mm ² = 1.77	2.0mm ² = 1.64	1.5mm ² = 1.51	E = 2.8	G = 3.9	D = 1.7	H = 4.8	K = 4.2	R = 2.8	MQC-Applicator 2-878845-2	539635-1 mit Matrize: 539737-2	3.5	5.9	7.5	21	0.4	828905-1	828922-1						
2-929937-1	E	2-929938-1	CuSn4	2	>1.0-2.5	E = 3.6	G = 3.8	D = 1.8	H = 5.4	K = 4.6	D = 3.2	2.5mm ² = 1.77	2.0mm ² = 1.64	1.5mm ² = 1.51	E = 2.8	G = 3.9	D = 1.7	H = 4.8	K = 4.2	R = 2.8	MQC-Applicator 2-878845-2	539635-1 mit Matrize: 539737-2	3.5	5.9	7.5	21	0.4	828905-1	828922-1						
1-929937-1	E	1-929938-1	CuFe2	2	>1.0-2.5	E = 3.6	G = 3.8	D = 1.8	H = 5.4	K = 4.6	D = 3.2	2.5mm ² = 1.77	2.0mm ² = 1.64	1.5mm ² = 1.51	E = 2.8	G = 3.9	D = 1.7	H = 4.8	K = 4.2	R = 2.8	MQC-Applicator 2-878845-2	539635-1 mit Matrize: 539737-2	3.5	5.9	7.5	21	0.4	828905-1	828922-1						
929937-6	E	929938-6	CuSn4	1	>1.0-2.5	E = 3.6	G = 3.8	D = 1.8	H = 5.4	K = 4.6	D = 3.2	2.5mm ² = 1.77	2.0mm ² = 1.64	1.5mm ² = 1.51	E = 2.8	G = 3.9	D = 1.7	H = 4.8	K = 4.2	R = 2.8	MQC-Applicator 2-878845-2	539635-1 mit Matrize: 539737-2	3.5	5.9	7.5	21	0.4	828905-1	828922-1						
929937-3	E	929938-3	CuSn4	1	>1.0-2.5	E = 3.6	G = 3.8	D = 1.8	H = 5.4	K = 4.6	D = 3.2	2.5mm ² = 1.77	2.0mm ² = 1.64	1.5mm ² = 1.51	E = 2.8	G = 3.9	D = 1.7	H = 4.8	K = 4.2	R = 2.8	MQC-Applicator 2-878845-2	539635-1 mit Matrize: 539737-2	3.5	5.9	7.5	21	0.4	828905-1	828922-1						
929937-1	E	929938-1	CuFe2	1	>1.0-2.5	E = 3.6	G = 3.8	D = 1.8	H = 5.4	K = 4.6	D = 3.2	2.5mm ² = 1.77	2.0mm ² = 1.64	1.5mm ² = 1.51	E = 2.8	G = 3.9	D = 1.7	H = 4.8	K = 4.2	R = 2.8	MQC-Applicator 2-878845-2	539635-1 mit Matrize: 539737-2	3.5	5.9	7.5	21	0.4	828905-1	828922-1						
2-929939-1	E	2-929940-1	CuSn4	2	0.5-1.0	E = 2.6	G = 2.8	D _{cr} = 1.1	H = 5.4	K = 4.6	D = 3.2	1.0mm ² = 1.36	0.75mm ² = 1.27	0.5mm ² = 1.18	E = 2.2	G = 2.8	D _{cr} = 1.2	H = 4.6	K = 4.2	R = 2.3	MQC-Applicator 878335-2	539635-1 mit Matrize: 539737-2	3	5.4	7	21	0.6	828904-1	828922-1						
1-929939-1	E	1-929940-1	CuFe2	2	0.5-1.0	E = 2.6	G = 2.8	D _{cr} = 1.1	H = 5.4	K = 4.6	D = 3.2	1.0mm ² = 1.36	0.75mm ² = 1.27	0.5mm ² = 1.18	E = 2.2	G = 2.8	D _{cr} = 1.2	H = 4.6	K = 4.2	R = 2.3	MQC-Applicator 878335-2	539635-1 mit Matrize: 539737-2	3	5.4	7	21	0.6	828904-1	828922-1						
929939-6	E	929940-6	CuSn4	1	0.5-1.0	E = 2.6	G = 2.8	D _{cr} = 1.1	H = 5.4	K = 4.6	D = 3.2	1.0mm ² = 1.36	0.75mm ² = 1.27	0.5mm ² = 1.18	E = 2.2	G = 2.8	D _{cr} = 1.2	H = 4.6	K = 4.2	R = 2.3	MQC-Applicator 878335-2	539635-1 mit Matrize: 539737-2	3	5.4	7	21	0.6	828904-1	828922-1						
929939-3	E	929940-3	CuSn4	1	0.5-1.0	E = 2.6	G = 2.8	D _{cr} = 1.1	H = 5.4	K = 4.6	D = 3.2	1.0mm ² = 1.36	0.75mm ² = 1.27	0.5mm ² = 1.18	E = 2.2	G = 2.8	D _{cr} = 1.2	H = 4.6	K = 4.2	R = 2.3	MQC-Applicator 878335-2	539635-1 mit Matrize: 539737-2	3	5.4	7	21	0.6	828904-1	828922-1						
929939-1	E	929940-1	CuFe2	1	0.5-1.0	E = 2.6	G = 2.8	D _{cr} = 1.1	H = 5.4	K = 4.6	D = 3.2	1.0mm ² = 1.36	0.75mm ² = 1.27	0.5mm ² = 1.18	E = 2.2	G = 2.8	D _{cr} = 1.2	H = 4.6	K = 4.2	R = 2.3	MQC-Applicator 878335-2	539635-1 mit Matrize: 539737-2	3	5.4	7	21	0.6	828904-1	828922-1						
2-927770-1	G	2-929930-1	CuSn4	2	0.5-1.0	E = 2.6	G = 2.8	D _{cr} = 1.1	H = 5.4	K = 4.6	D = 3.2	1.0mm ² = 1.36	0.75mm ² = 1.27	0.5mm ² = 1.18	E = 2.2	G = 2.8	D _{cr} = 1.2	H = 4.6	K = 4.2	R = 2.3	MQC-Applicator 878335-2	539635-1 mit Matrize: 539737-2	3	5.4	7	18.8	0.6	828904-1	828922-1						
1-927770-1	G	1-929930-1	CuFe2	2	0.5-1.0	E = 2.6	G = 2.8	D _{cr} = 1.1	H = 5.4	K = 4.6	D = 3.2	1.0mm ² = 1.36	0.75mm ² = 1.27	0.5mm ² = 1.18	E = 2.2	G = 2.8	D _{cr} = 1.2	H = 4.6	K = 4.2	R = 2.3	MQC-Applicator 878335-2	539635-1 mit Matrize: 539737-2	3	5.4	7	18.8	0.6	828904-1	828922-1						
927770-8	G	929930-8	CuSn4	1	0.5-1.0	E = 2.6	G = 2.8	D _{cr} = 1.1	H = 5.4	K = 4.6	D = 3.2	1.0mm ² = 1.36	0.75mm ² = 1.27	0.5mm ² = 1.18	E = 2.2	G = 2.8	D _{cr} = 1.2	H = 4.6	K = 4.2	R = 2.3	MQC-Applicator 878335-2	539635-1 mit Matrize: 539737-2	3	5.4	7	18.8	0.6	828904-1	828922-1						
927770-6	F	929930-6	CuSn4	1	0.5-1.0	E = 2.6	G = 2.8	D _{cr} = 1.1	H = 5.4	K = 4.6	D = 3.2	1.0mm ² = 1.36	0.75mm ² = 1.27	0.5mm ² = 1.18	E = 2.2	G = 2.8	D _{cr} = 1.2	H = 4.6	K = 4.2	R = 2.3	MQC-Applicator 878335-2	539635-1 mit Matrize: 539737-2	3	5.4	7	18.8	0.6	828904-1	828922-1						
927770-3	F	929930-3	CuSn4	1	0.5-1.0	E = 2.6	G = 2.8	D _{cr} = 1.1	H = 5.4	K = 4.6	D = 3.2	1.0mm ² = 1.36	0.75mm ² = 1.27	0.5mm ² = 1.18	E = 2.2	G = 2.8	D _{cr} = 1.2	H = 4.6	K = 4.2	R = 2.3	MQC-Applicator 878335-2	539635-1 mit Matrize: 539737-2	3	5.4	7	18.8	0.6	828904-1	828922-1						
927770-1	F	929930-1	CuFe2	1	0.5-1.0	E = 2.6	G = 2.8	D _{cr} = 1.1	H = 5.4	K = 4.6	D = 3.2	1.0mm ² = 1.36	0.75mm ² = 1.27	0.5mm ² = 1.18	E = 2.2	G = 2.8	D _{cr} = 1.2	H = 4.6	K = 4.2	R = 2.3	MQC-Applicator 878335-2	539635-1 mit Matrize: 539737-2	3	5.4	7	18.8	0.6	828904-1	828922-1						
2-929941-1	E	2-929942-1	CuSn4	2	0.2-0.5	E = 2.1	G = 2.1	D _{cr} = 0.8	H = 5.4	K = 4.6	D = 3.2	0.5mm ² = 1.12	0.35mm ² = 1.05	0.25mm ² = 1.0	E = 1.7	G = 2.1	D _{cr} = 0.8	H = 4.2	K = 4.35	R = 2.4	MQC-Applicator 878334-2	539635-1 mit Matrize: 539737-2	2.5	4.9	6.5	21	0.9	828904-1	828922-1						
1-929941-1	E	1-929942-1	CuFe2	2	0.2-0.5	E = 2.1	G = 2.1	D _{cr} = 0.8	H = 5.4	K = 4.6	D = 3.2	0.5mm ² = 1.12	0.35mm ² = 1.05	0.25mm ² = 1.0	E = 1.7	G = 2.1	D _{cr} = 0.8	H = 4.2	K = 4.35	R = 2.4	MQC-Applicator 878334-2	539635-1 mit Matrize: 539737-2	2.5	4.9	6.5	21	0.9	828904-1	828922-1						
929941-6	D	929942-6	CuSn4	1	0.2-0.5	E = 2.1	G = 2.1	D _{cr} = 0.8	H = 5.4	K = 4.6	D = 3.2	0.5mm ² = 1.12	0.35mm ² = 1.05	0.25mm ² = 1.0	E = 1.7	G = 2.1	D _{cr} = 0.8	H = 4.2	K = 4.35	R = 2.4	MQC-Applicator 878334-2	539635-1 mit Matrize: 539737-2	2.5	4.9	6.5	21	0.9	828904-1	828922-1						
929941-3	D	929942-3	CuSn4	1	0.2-0.5	E = 2.1	G = 2.1	D _{cr} = 0.8	H = 5.4	K = 4.6	D = 3.2	0.5mm ² = 1.12	0.35mm ² = 1.05	0.25mm ² = 1.0	E = 1.7	G = 2.1	D _{cr} = 0.8	H = 4.2	K = 4.35	R = 2.4	MQC-Applicator 878334-2	539635-1 mit Matrize: 539737-2	2.5	4.9	6.5	21	0.9	828904-1	828922-1						
929941-1	D	929942-1	CuFe2	1	0.2-0.5	E = 2.1	G = 2.1	D _{cr} = 0.8	H = 5.4	K = 4.6	D = 3.2	0.5mm ² = 1.12	0.35mm ² = 1.05	0.25mm ² = 1.0</																					