

180° Receptacle Contacts

**Technical Features**

**Wire Size Range:**

0.5 to 1.5 mm<sup>2</sup>  
2.5 to 4.0 mm<sup>2</sup>  
4.0 to 6.0 mm<sup>2</sup>

**Current Carrying Capacity:**

up to 25 A

**Insertion Force:**

approx. 27 N

**Extraction Force,**

**Latch Release Ineffective:**

approx. 7 N

**Material Thickness:**

0.4 mm

**Extraction Force,**

**Latch Release Effective:**

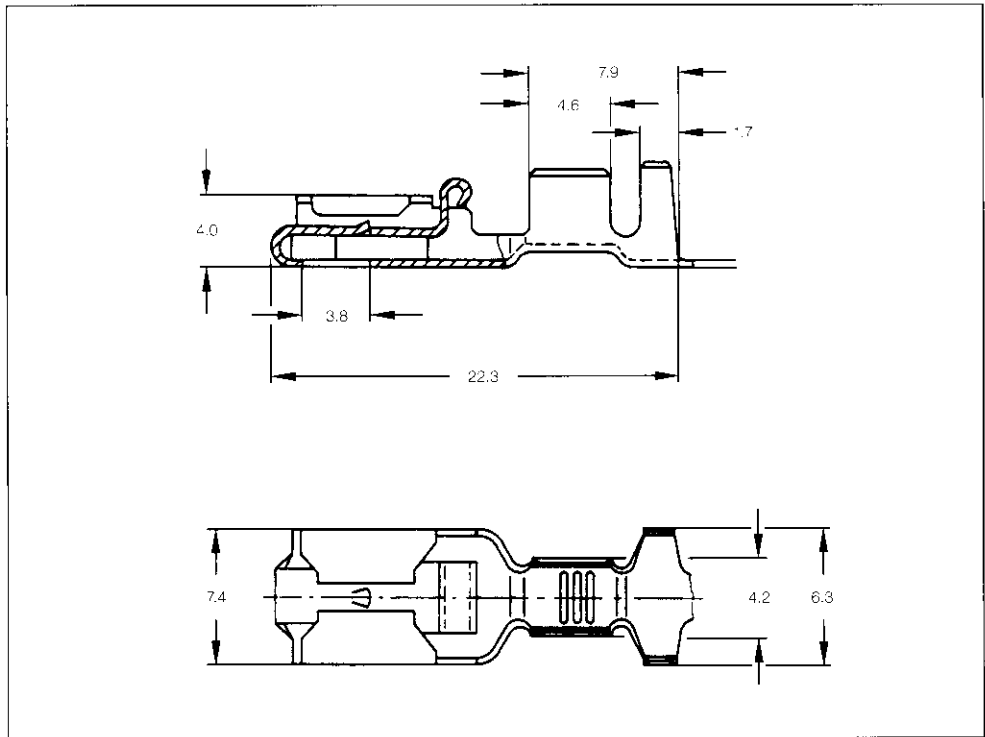
≥ 100 N (without vibration)

**Contact Material:**

Brass or phosphor bronze

**Contact Finish:**

plain, tin plated, nickel plated or silver plated



**Special Materials and Finishes**  
available on request.

**Pneumatic Tooling Machine:**  
Part No. **656055-1**

**Crimping Head:**  
Part No. **656080-1** (for Wire Size Range 0.5–1.5 and 2.5–4.0 mm<sup>2</sup>)

**180° Receptacle Contacts**

Wire Size Range mm <sup>2</sup> (AWG)	Insulation Diameter		Material and Finish	Part Numbers				Applicator*	Hand Tool
	FLK mm (Inch)	FLR mm (Inch)		Strip Form	Packaging Unit	Loose-Piece	Packaging Unit		
0.5–1.0 (20–17)	2.0–3.3 (.079–.130)	–	CuZn, plain	927867-1	1,500	927868-1	1,300	–	734372-1 with Die 734384-1
			CuSn, plain	927867-2	1,500	927868-2	–		
			CuZn, pre-tin plated	927867-6	1,500	927868-6	1,300		
			CuSn, pre-tin plated	927867-7	1,500	927868-7	–		
			CuSn, pre-tin plated	927867-8	1,500	927868-8	–		
0.5–1.0 (20–17)	–	1.4–2.3 (.055–.091)	CuZn, plain	927852-1	1,500	927853-1	1,300	–	169400-0 with Die 734469-0
			CuSn, plain	927852-2	1,500	927853-2	1,300		
			CuZn, pre-tin plated	927852-6	1,500	927853-6	500		
			CuSn, pre-tin plated	927852-7	1,500	927853-7	1,300		
			CuSn, pre-tin plated	927852-8	1,500	927853-8	1,500		
0.5–1.5 (20–15)	2.3–3.3 (.091–.130)	–	CuZn, plain	180759-1	1,500	160773-1	500	–	654174-1
			CuSn, plain	180759-2	1,500	160773-2	500		
			CuZn, tin plated	180759-3	1,500	160773-3	500		
			CuSn, tin plated	180759-4	1,500	160773-4	500		
			CuZn, plain	281827-1	–	–	–		
			CuZn, tin plated	281827-2	1,500	–	–		
			CuZn, pre-tin plated	1-160759-1	1,500	160773-6	500		
			CuSn, pre-tin plated	1-160759-2	1,500	160773-7	500		
0.7–2.0 (18–14)	2.4–3.2 (.095–.126)	–	CuZn, plain	154718-1	1,500	341002-1	500	–	525651-0
			CuSn, plain	154718-2	1,500	341002-2	500		
			CuSn, tin plated	154718-4	1,500	–	–		
			CuZn, pre-tin plated	154718-6	1,500	341002-6	500		
			CuSn, pre-tin plated	154718-7	1,500	341002-7	500		

\*) Applicators are application specific, consult Tyco Electronics for details.