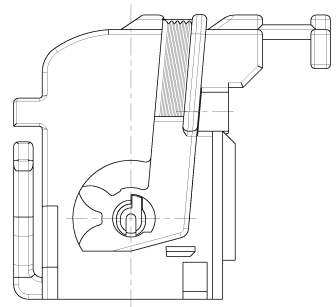


PROJECT NO. A99-52133

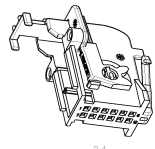
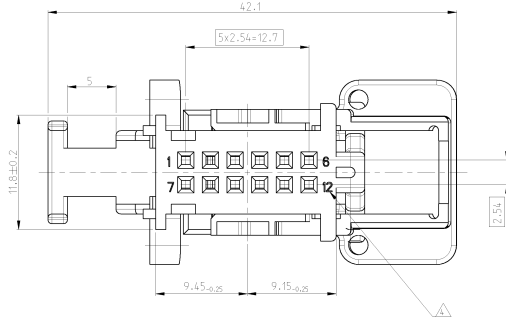
REV.	DATE	DESCRIPTION	BY	CHK.	APP.
1					
2					
3					
4					
5					
6					
7					
8					

Hebel in Montagestellung
LEVER IN MOUNTING POSITION

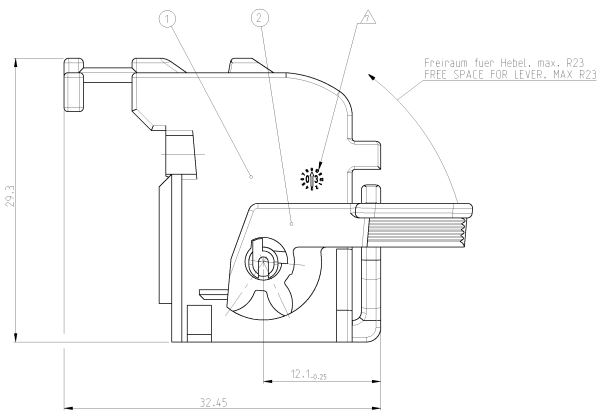
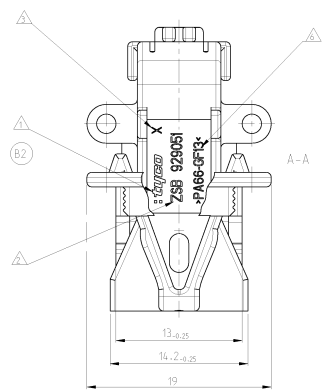


12POS. CONNECTOR CONTAINS:
12pol. Steckverbinder besteht aus:
929051 COVER WITH LEVER / Abdeckkappe mit Hebel
968473 12POS. MOS REC. HOUSING / 12pol. MOS-Gehäuse

COUNTERPARTS:
Gegensätze:
967666 12POS. AMPRODU II PIN HEADER / 12pol. AMPRODU II Stiftleiste
135505 12POS. AMPRODU II PINHEADER 90° / 12pol. AMPRODU II Stiftleiste 90°
OR ACC. TO / oder nach
714-18063-091 INTERFACE FOR 12POS. MOS CONNECTOR
Schwiffstele für 12pol. MOS-Steckverbinder



Anlieferungszustand (Hebel verliersicher)
DELIVERY CONDITION (LEVER SAVE AGAINST LOOSING)



- NOTES
Bemerkungen
- (B2) ▲ AMP-LEAD OR TYPE-LEAD and type and length
 - ▲ ORDER-NUMBER (WITHOUT SUFFIX ON PART)
 - ▲ ORDER-NUMBER (WITH SUFFIX ON PART)
 - ▲ REVISION-ALPHABET OF SINGLE PART
 - ▲ CAPSITY MARKING
 - ▲ MARK MATERIAL IN CARTRIDGE
 - ▲ MATERIAL MARKING
 - ▲ PRODUCTION DATE OF SINGLE PART

AMP ORDER NO.	REV. CODING	DESCRIPTION	QTY	MATERIAL	PLUG	WEIGHT (g)	ITEM
929051-1	B	LEVER / Hebel	1	PBT-0F20	BLACK / schwarz	3.1	2
		COVER / Abdeckkappe	1	PA66-6F13	BLACK / schwarz		1

SYMBOL	DESCRIPTION	UNIT	QTY	REMARKS
1	SHIELD FOR MOS REC. HSG., 12POS.			
2	Abdeckkappe fuer MOS-Buchsengeh., 12pol.			