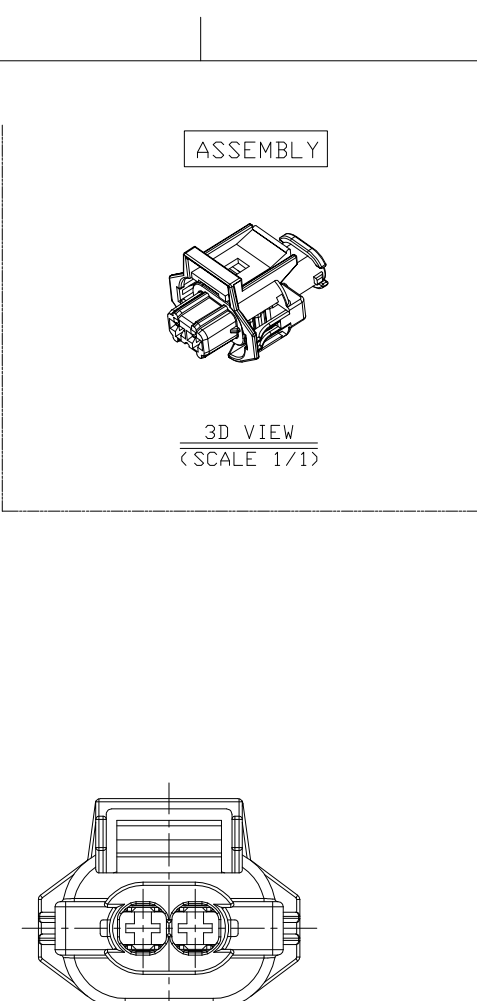
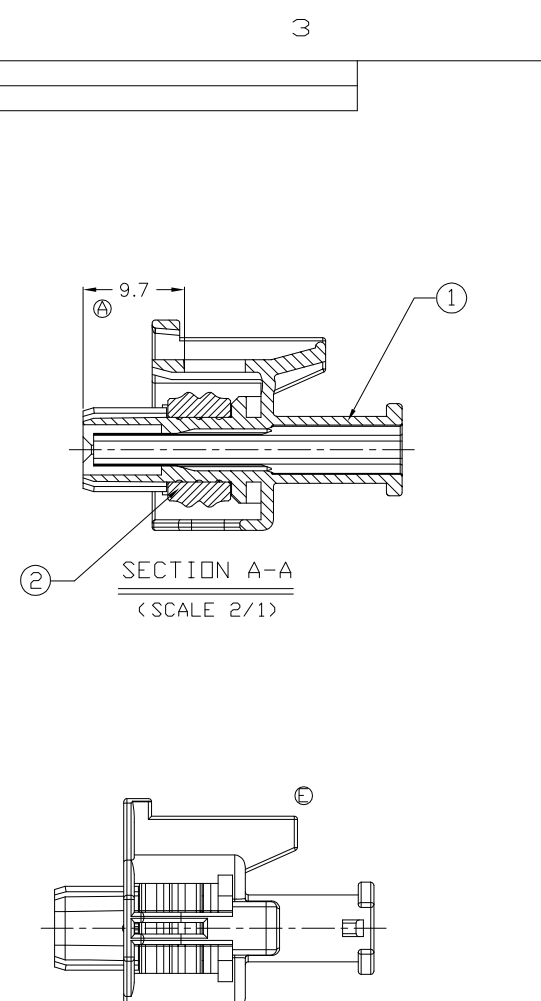
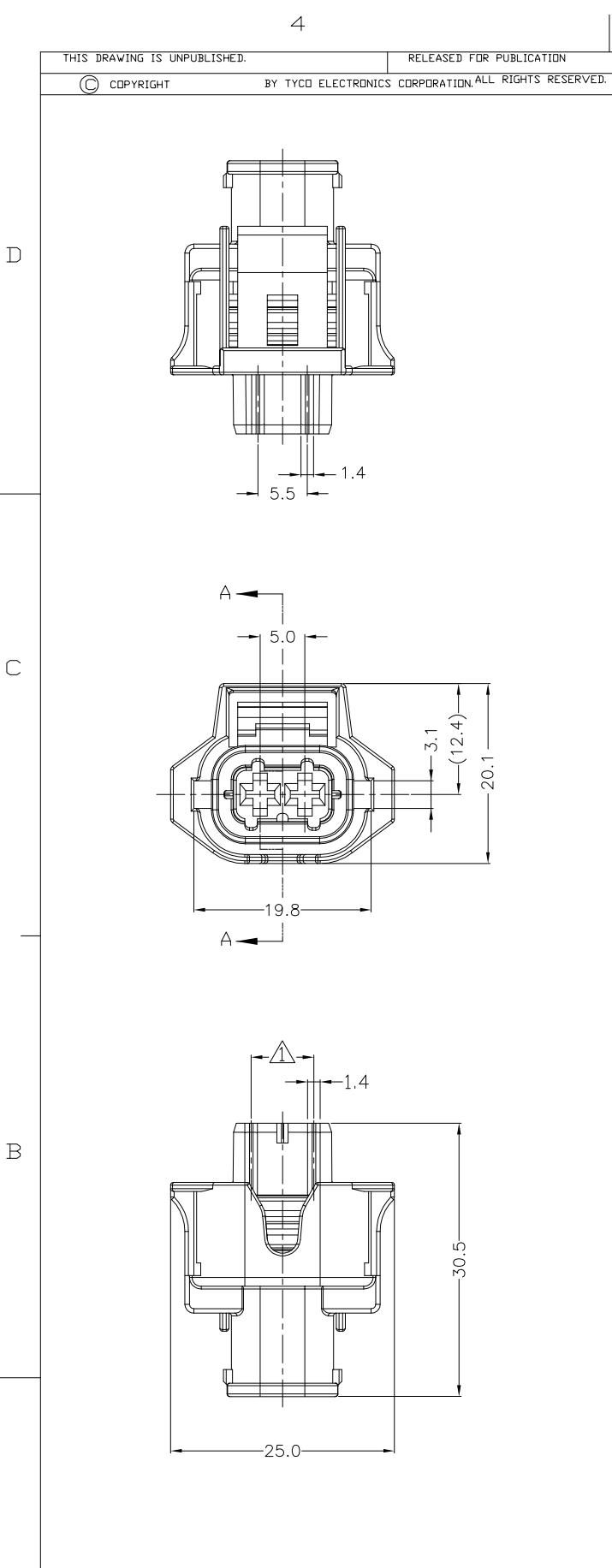
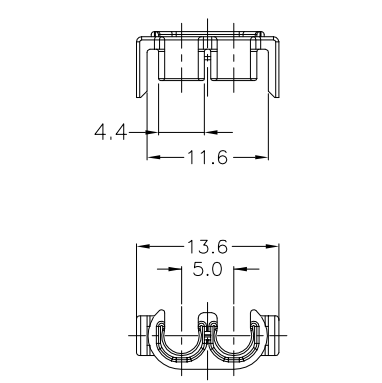


REVISIONS					
P	LTR	DESCRIPTION	DATE	DWN	APVD
	D	REVISED<ECR-05-016169>	06, OCT, '05	YD.	JK
	E	REVISED<ECR-06-022709>	30, JUN, '06	IS	JK
	F	REVISED<ECR-07-000190>	04, JAN, '07	IS	JK
	F1	REVISED<ECR-11-008995>	28, APR, '11	YM	HG
	G	REVISED<ECR-12-013083>	18, JUN, '12	JM	HG
	G1	REVISED<ECR-14-014192>	29, SEP, '14	JM	HG

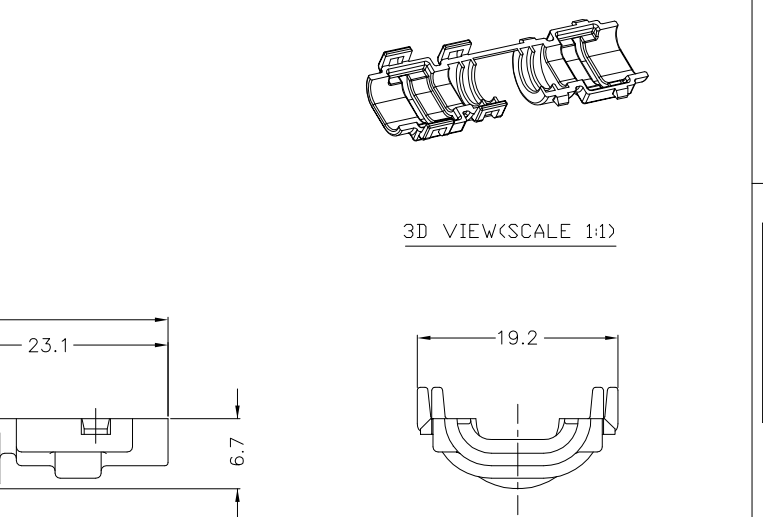
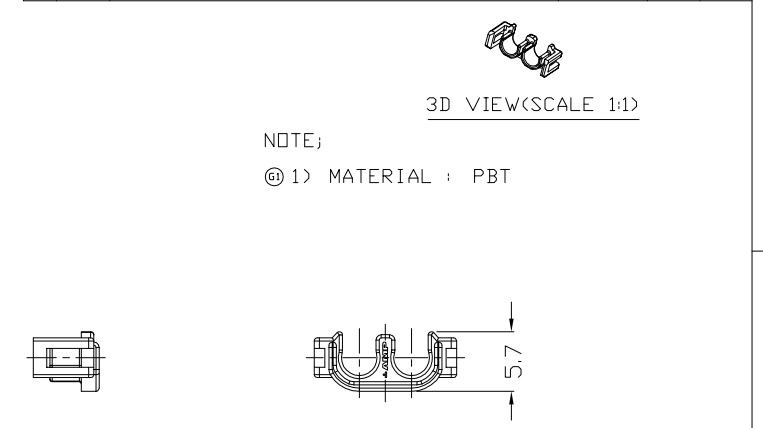
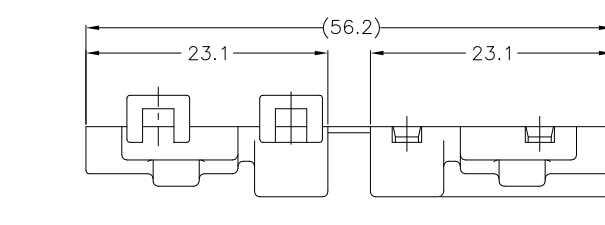


ACCESSORIES DRAWING
 ① DBL HSG : P/N:936103
 SCALE : 2/1



② COVER HSG : P/N:936111
 SCALE : 2/1

NOTE;
 ①) MATERIAL : NYLON 66
 2) CORRUGATOR DIAMETER : $\phi 7.0$



4. APPLIED RECEPTACLE CONTACT P/N:

DESCRIPTION	2.8mm SENSOR-FLAT RECEPTACLE	
Part NO.	967542	967543
WIRE SIZE(mm ²)	0.5 ~ 1.0	1.25 ~ 2.5

5. APPLIED WIRE SEAL P/N:

DESCRIPTION	SINGLE-WIRE SEAL(5mm Hole)	
Part NO.	828904	828905
INSULATION DIA. (φ)	1.2 ~ 2.1mm	2.2 ~ 3.0mm

(TABLE 1)

CODE I : 0-936059-1	CODE II : 1-936059-1 CODE II : 1-936059-3
CODE III : 2-936059-1	CODE IV : T. B. D

Q' TY	COLOR	MATERIAL	DESCRIPTION	P/N	NO
1	SIGNAL GRAY	SILICON(LSR)	INNER SEAL	936800-3	2
1	ULTRAMARINE BLUE	SILICON	INNER SEAL	936800-2	2
1	RED ORANGE	SILICON	INNER SEAL	936800-1	2
1	BLACK	PA 66 GF15	PLUG HSG	3-936102-1	1
1	BLACK	PA 66 GF15	PLUG HSG	2-936102-1	1
1	DARK GRAY	PA 66 GF15	PLUG HSG	1-936102-3	1
1	BLACK	PA 66 GF15	PLUG HSG	1-936102-1	1
1	BLACK	PA 66 GF15	PLUG HSG	936102-1	1

ASSEMBLY P/N	DIMENSIONS: MM	TOLERANCES UNLESS OTHERWISE SPECIFIED:	FINISH
3-936059-1		0 <XX<10 ± 0.2	
2-936059-1		10<XX<30 ± 0.25	
1-936059-3		30<XX ± 0.3	
1-936059-1		ANGLES ± 3°	
936059-2			
936059-1			

NOTE;
 ① CODING IS AS FOLLOWS; SEE TABLE 1.
 2. 0.15 MAX. WARPAGE AND 0.2 MAX. FLASH ARE PERMISSIBLE
 3. SURFACE DEFECTS ARE NOT ACCEPTABLE AS FOLLOWS: SINK, WELD LINES, HAIRCRACKS, STAINS & SCORES

TE connectivity

2.8mm SEALED 2P PLUG ASSEMBLY (FLAT SENSOR CONNECTOR)

114-18144

00779

936059

CUSTOMER DRAWING

SCALE 2/1 SHEET 1 OF 1 REV G1