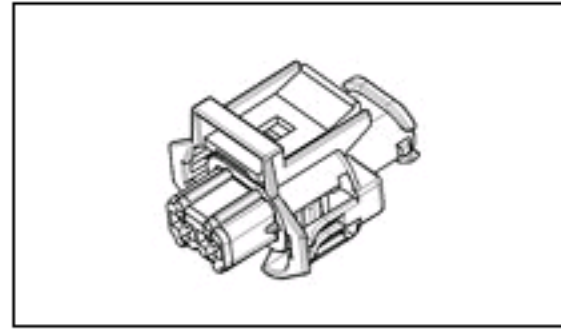




936060-1 Product Details

[Share](#) | [Print](#) | [Email](#)


936060-1

TE Internal Number: 936060-1

Active

[View 3D PDF](#)

SSC (Sealed Sensor Connector) System

[Always EU RoHS/ELV Compliant \(Statement of Compliance\)](#)

Product Highlights:

- Wire-to-Device
- Connector
- Housing
- Connector Style = Plug
- Contact Type = Socket

[View all Features](#)

Quick Links

- ▶ [Check Pricing & Availability](#)
- ▶ [Search for Tooling](#)
- ▶ [Product Feature Selector](#)
- ▶ [Contact Us About This Product](#)

[Add to My Part List](#) | [Request Sample](#) | [Find Similar Products](#) | [Buy Product](#)

Documentation & Additional Information

Product Drawings:

- None Available

Catalog Pages/Data Sheets:

- None Available

Product Specifications:

- None Available

Application Specifications:

- None Available

Instruction Sheets:

- None Available

CAD Files: ([CAD Format & Compression Information](#))

- [2D Drawing](#) (DXF, Version C)
- [3D Model](#) (IGES, Version C)
- [3D Model](#) (STEP, Version C)

Additional Information:

- [Product Line Information](#)

Related Products:

- [Tooling](#)

[List all Documents](#)

Product Features (Please use the Product Drawing for all design activity)

Product Type Features:

- [Product Type](#) = Connector
- Connector Type = Housing
- Wire/Cable Type = FLR (Thin Walled Cable)
- Sealed = Yes
- Termination Method to Wire/Cable = Crimp
- Strain Relief = Without

Mechanical Attachment:

- Keying = Code I
- Panel Mount Retention = Without
- Mating Retention Type = Latching

Electrical Characteristics:

- Contact - Rated Current (A) = 10
- Operating Voltage Reference = AC/DC
- Operating Voltage (VAC) = 125
- Operating Voltage (VDC) = 125

Termination Features:

- Wire/Cable Size (AWG) = 13.5 - 15.5, 17 - 20
- Wire/Cable Size (mm²) = 0.5 - 1, 1.25 - 2.5
- Seal Type = Seal Ring

Dimensions:

- Profile Height (Y-Axis) (mm [in]) = 20.10 [0.791]

Body Features:

- Wire Type = Stranded
- Number of Positions = 3
- Number of Rows = 1
- Seal Material = Silicone
- Seal Color = Red Orange
- Mating Retention = With
- Length (X-Axis) (mm [in]) = 30.50 [1.2007]
- Width (Z-Axis) (mm [in]) = 30.00 [1.181]

Contact Features:

- Contact Type = Socket
- Circuit Number(s) Blocked = None

Housing Features:

- Connector Style = Plug
- Housing Material = PA66 - GF15
- Housing Color = Black
- Mating Alignment = With
- Mating Alignment Type = Keyed

Industry Standards:

- [RoHS/ELV Compliance](#) = RoHS compliant, ELV compliant
- [Lead Free Solder Processes](#) = Not relevant for lead free process
- RoHS/ELV Compliance History = Always was RoHS compliant
- Agency/Standard = IEC 664/664A (DIN VDE 0110)

Environmental:

- Operating Temperature (°C [°F]) = -40 - +150 [-40 - +302]

Conditions for Usage:

- Accepts Wire Insulation Diameter, Range (mm [in]) = 1.40 - 2.10 [0.055 - 0.083], 2.20 - 3.00 [0.0866 - 0.118]
- Applies To = Wire/Cable

Operation/Application:

- Application Use = Wire-to-Device
- Contact Transmits (Typical Application) = Power

Packaging Features:

- Packaging Method = Bag
- Packaging Quantity = 150

Other:

- GET 0.64 Connector System = No
- Brand = Tyco Electronics
- Comment = See drawing for additional product information.; Refer to the application and product specification for additional information.

Corporate Information

[Who We Are](#)
[Investors](#)
[News Room](#)
[Supplier Portal](#)
[Careers](#)

Quick Links

[Check Distributor Inventory](#)
[Cross Reference](#)
[Find Documents & Drawings](#)
[Product Compliance Support Center](#)
[Site Map](#)

Customer Support

[Email or Chat With Us](#)
[Find a Phone Number](#)
[Search Knowledge Base](#)
[Manage your Account](#)

Keep Me Informed

Receive TE News, Events & Technology Updates

Enter your email address

