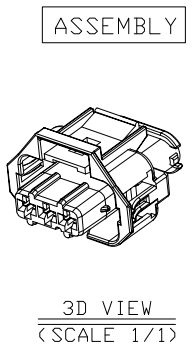
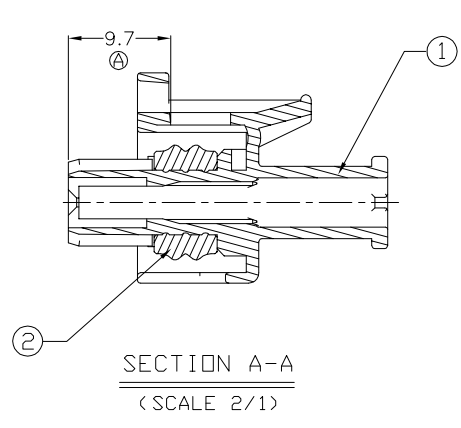
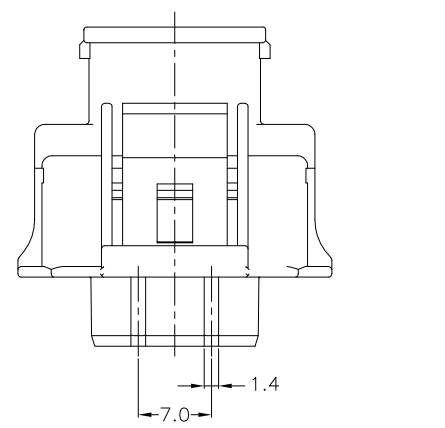
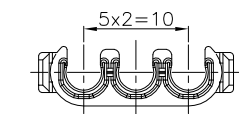
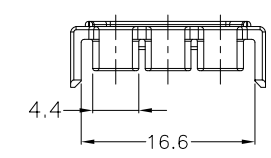


REVISIONS					
P	LTR	DESCRIPTION	DATE	DWN	APVD
	C	REVISED<FC00-0217-04>	18, OCT, '04	JG	CS
	D	REVISED<ECR-05-016170>	06, OCT, '05	YD.	CS
	E	REVISED<ECR-13-000208>	08, JAN, '13	JM	HG
	E1	REVISED<ECR-13-008839>	01, JUN, '13	JM	HG
	E2	REVISED<ECR-14-014192>	29, SEP, '14	JM	HG

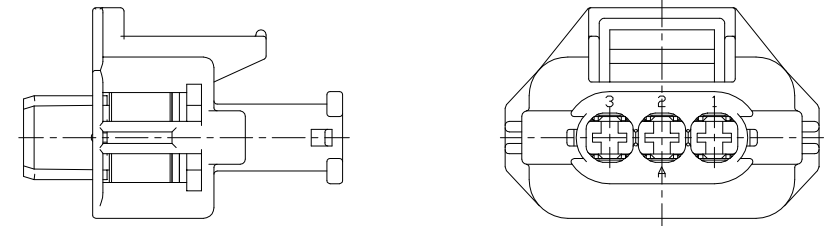
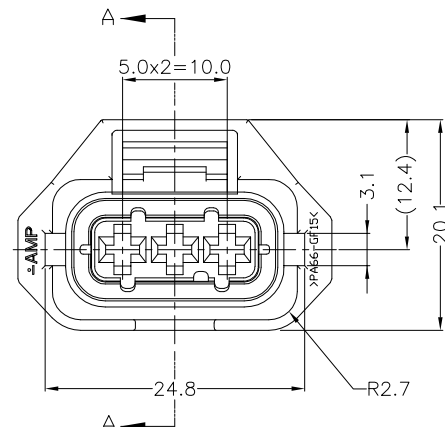
D
C
B
A



ACCESSORIES DRAWING
 1. DBL HSG : P/N:936106
 SCALE : 2/1

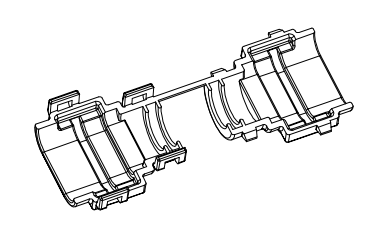


NOTE;
 1) MATERIAL : PBT



2. COVER HSG : P/N:936112
 SCALE : 2/1

NOTE;
 1) MATERIAL : NYLON 66
 2) CORRUGATOR DIAMETER : Ø7.0



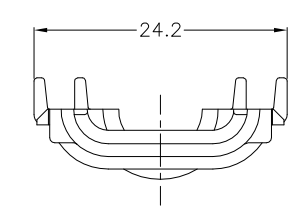
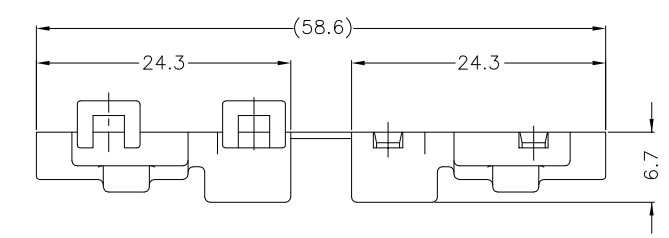
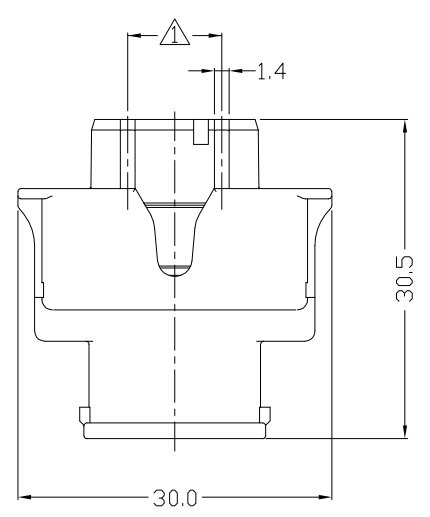
3D VIEW (SCALE 1:1)

4. APPLIED RECEPTACLE CONTACT P/N:

DESCRIPTION	2.8mm SENSOR-FLAT RECEPTACLE	
Part NO.	967542	967543
WIRE SIZE(mm ²)	0.5 ~ 1.0	1.25 ~ 2.5

5. APPLIED WIRE SEAL P/N:

DESCRIPTION	SINGLE-WIRE SEAL(5mm Hole)	
Part NO.	828904	828905
INSULATION DIA. (Ø)	1.2 ~ 2.1mm	2.2 ~ 3.0mm



(TABLE 1)

CODE I : 0-936060-1	CODE II : N/A
	SEE DRAWING 936061
CODE III : 2-936060-1	CODE IV : TBD

NOTE;
 1. CODING IS AS FOLLOWS; SEE TABLE 1.
 2. 0.15 MAX. WARPAGE AND 0.2 MAX. FLASH ARE PERMISSIBLE
 3. SURFACE DEFECTS ARE NOT ACCEPTABLE AS FOLLOWS: SINK, WELD LINES, HAIRCRACKS, STAINS & SCORES

QTY	P/N	DESCRIPTION	MATERIAL	COLOR	NO
1	936801-5	INNER SEAL	SILICONE(LSR)	YELLOW	2
1	936801-3	INNER SEAL	SILICONE(LSR)	BLUE	2
1	936801-1	INNER SEAL	SILICON	RED ORANGE	2
1	2-936105-1	PLUG HSG	PA 66 GF15	BLACK	1
1	936105-1	PLUG HSG	PA 66 GF15	BLACK	1

ASSEMBLY P/N 2-936060-1 936060-2 936060-1	THIS DRAWING IS A CONTROLLED DOCUMENT FOR TYCO ELECTRONICS CORPORATION IT IS SUBJECT TO CHANGE AND THE CONTROLLING ENGINEERING ORGANIZATION SHOULD BE CONTACTED FOR THE LATEST REVISION.		DWN JM JEON		
	DIMENSIONS: MM		CHK JW JUNG		
	TOLERANCES UNLESS OTHERWISE SPECIFIED: 0 <XX<10 ± 0.2 10 <XX<30 ± 0.25 30 <XX ± 0.3 ANGLES ± 3°		APVD HG CHD		
	3rd ANGLE PROJECTION		PRODUCT SPEC		
MATERIAL SEE TABLE		FINISH -----		APPLICATION SPEC 114-18144	
WEIGHT -----		RESTRICTED TO		SIZE CAGE CODE DRAWING NO A200779C= 936060	
CUSTOMER DRAWING		SCALE 2/1		SHEET 1 OF 1 REV E2	