

4

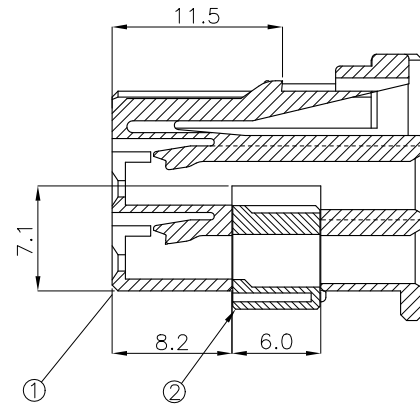
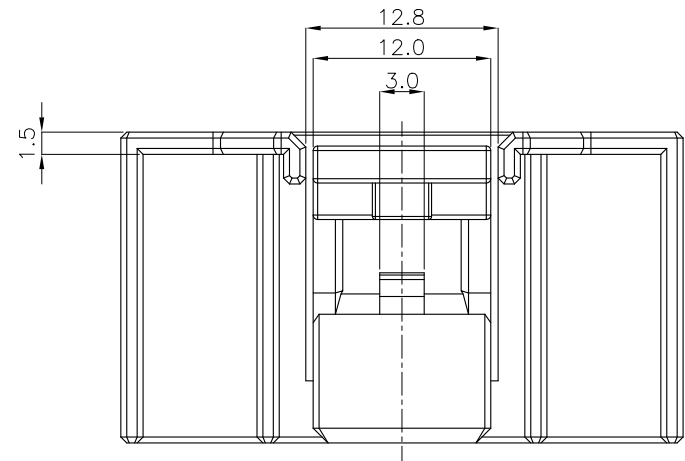
3

2

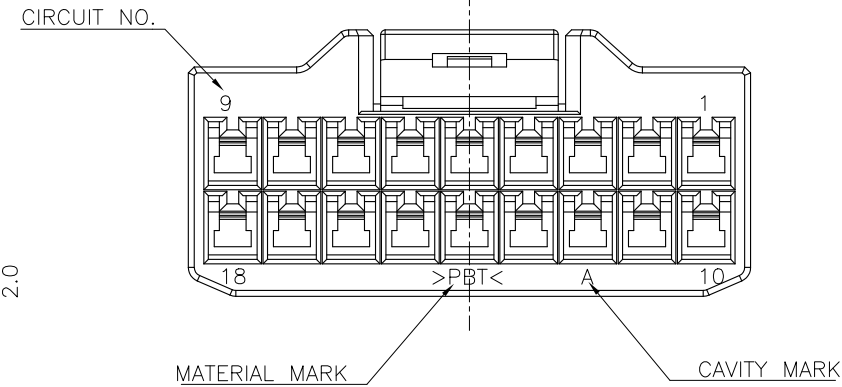
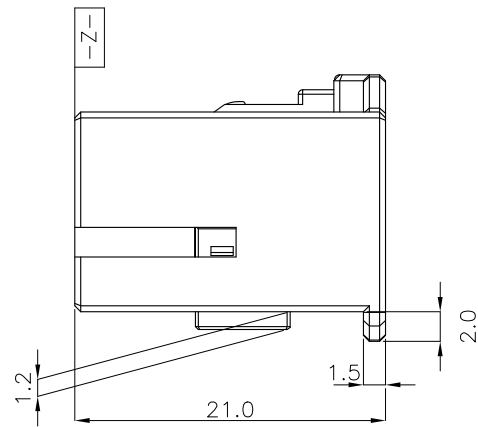
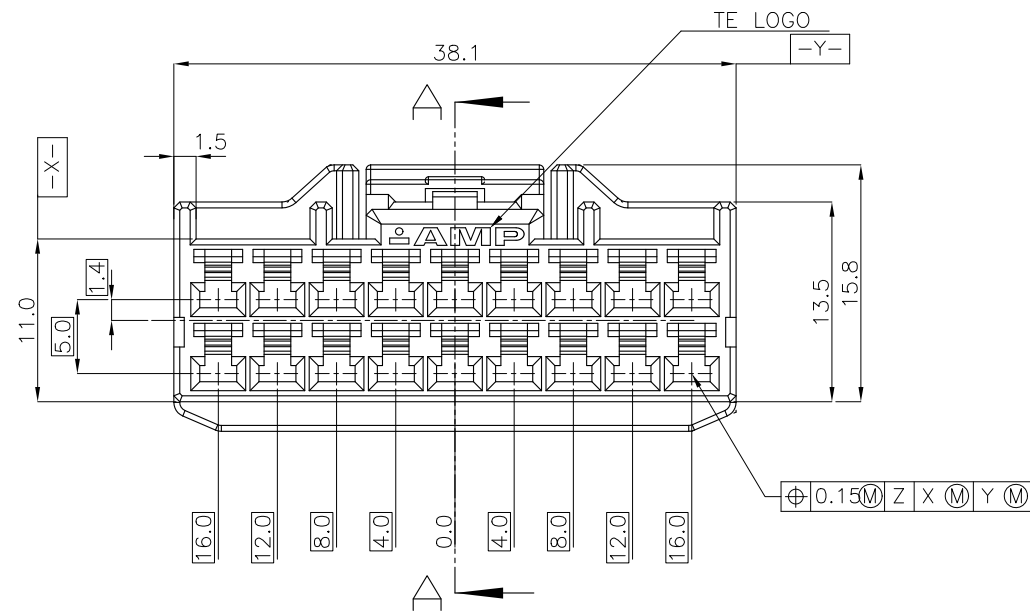
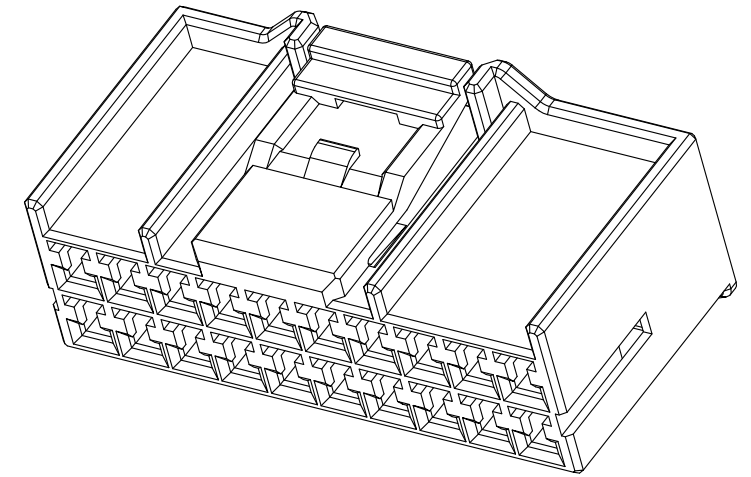
1

THIS DRAWING IS UNPUBLISHED. RELEASED FOR PUBLICATION
COPYRIGHT BY TYCO ELECTRONICS CORPORATION, ALL RIGHTS RESERVED.

LOC	DIST	REVISIONS					
		P	LTR	DESCRIPTION	DATE	DWN	APVD
DS	-		B	REVISED (ECR-06-023165)	09.OCT.'06	BS	JK
			B1	REVISED (ECR-09-005043)	24.MAR.'09	KT	HG



SECTION A-A



ASSY P/N
0-936204-8
0-936204-7
0-936204-6
0-936204-5
0-936204-4
0-936204-3
0-936204-2
0-936204-1

NO	COLOR	MATERIAL	DESCRIPTION	P/N	QTY
1	BLUE	PBT	PLUG	0-936205-8	1
	GREEN	PBT	PLUG	0-936205-7	1
	RED	PBT	PLUG	0-936205-6	1
	YELLOW	PBT	PLUG	0-936205-5	1
	BROWN	PBT	PLUG	0-936205-4	1
	D/GRAY	PBT	PLUG	0-936205-3	1
	BLACK	PBT	PLUG	0-936205-2	1
	NATURAL	PBT	PLUG	0-936205-1	1
2	NATURAL	PBT	DBL	0-936206-1	1 1 1 1 1 1 1 1

- NOTES.
- THE MATING HSG. P/N ; 936213
 - APPLIED CONTACT P/N ;
090 II REC. - 368083, 368084, 368085
090 III REC. - 1743654, 1743655, 1743656, 1897753, 1897598
- 추가-
- 상대 하우징 P/N. ; 936213
 - 적용단자 P/N. ; 090 II REC. - 368083, 368084, 368085
090 III REC. - 1743654, 1743655, 1743656, 1897753, 1897598

DIMENSIONS: MM		TOLERANCES UNLESS OTHERWISE SPECIFIED:	
		0 <XX<10 ± 0.2	
		10<XX<30 ± 0.25	
		30<XX ± 0.3	
		ANGLES ± 3°	
MATERIAL		FINISH	
SEE TABLE			

THIS DRAWING IS A CONTROLLED DOCUMENT FOR TYCO ELECTRONICS CORPORATION IT IS SUBJECT TO CHANGE AND THE CONTROLLING ENGINEERING ORGANIZATION SHOULD BE CONTACTED FOR THE LATEST REVISION.

DWN: KT JUNG
CHK: JW JUNG
APVD: HG CHD
PRODUCT SPEC: -
APPLICATION SPEC: -
WEIGHT: -

Tyco Electronics AMP KOREA, Kyungsan, Korea

NAME: 090III 18P PLUG ASS'Y

SIZE: A3 CAGE CODE: 00779 DRAWING NO: C-936204 RESTRICTED TO: -

CUSTOMER DRAWING SCALE: 2/1 SHEET: 1 OF 1 REV: B1