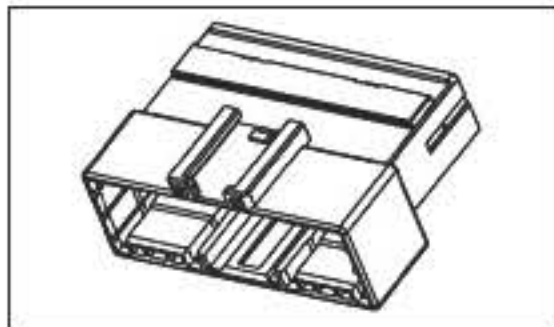




936211-1 Product Details

[Share](#) | [Print](#) | [Email](#)


936211-1

TE Internal Number: 936211-1

Active

View 3D PDF

MULTILOCK Connectors and Contacts

Always EU RoHS/ELV Compliant (Statement of Compliance)

Product Highlights:

- Connector
- Housing
- Contact Type = Tab
- Connector Style = Receptacle
- Receptacle Configuration = 090 III

[View all Features](#)

Quick Links

- ▶ [Check Pricing & Availability](#)
- ▶ [Search for Tooling](#)
- ▶ [Product Feature Selector](#)
- ▶ [Contact Us About This Product](#)

Add to My Part List | Request Sample | Find Similar Products | Buy Product

Documentation & Additional Information

Product Drawings:

- [090 III 16P CAP ASS'Y](#) (PDF, English)

Catalog Pages/Data Sheets:

- None Available

Product Specifications:

- None Available

Application Specifications:

- None Available

Instruction Sheets:

- None Available

CAD Files: ([CAD Format & Compression Information](#))

- [2D Drawing](#) (DXF, Version A)
- [3D Model](#) (IGES, Version A)
- [3D Model](#) (STEP, Version A)

Additional Information:

- [Product Line Information](#)

Related Products:

- [Tooling](#)

[List all Documents](#)

Product Features (Please use the Product Drawing for all design activity)

Product Type Features:

- [Product Type](#) = Connector
- [Connector Type](#) = Housing
- [Receptacle Configuration](#) = 090 III
- [Wire/Cable Type](#) = Discrete Wire
- [Mating Connector Lock](#) = With
- [Mating Connector Lock Type](#) = Center Lock
- [Mating Connector Number Positions](#) = 16
- [Proprietary Name](#) = MULTILOCK
- [Product Series](#) = .090 III

Body Features:

- [Number of Rows](#) = 2
- [Number of Positions](#) = 16

Contact Features:

- [Contact Type](#) = Tab

Housing Features:

- [Connector Style](#) = Receptacle
- [Housing Color](#) = Natural
- [Housing Material](#) = PBT - GF

Industry Standards:

- [RoHS/ELV Compliance](#) = RoHS compliant, ELV compliant
- [Lead Free Solder Processes](#) = Not relevant for lead free process
- [RoHS/ELV Compliance History](#) = Always was RoHS compliant

Conditions for Usage:

- [Applies To](#) = Wire/Cable

Other:

- [Brand](#) = Tyco Electronics

Corporate Information

- [Who We Are](#)
- [Investors](#)
- [News Room](#)
- [Supplier Portal](#)
- [Careers](#)

Quick Links

- [Check Distributor Inventory](#)
- [Cross Reference](#)
- [Find Documents & Drawings](#)
- [Product Compliance Support Center](#)
- [Site Map](#)

Customer Support

- [Email or Chat With Us](#)
- [Find a Phone Number](#)
- [Search Knowledge Base](#)
- [Manage your Account](#)

Keep Me Informed

Receive TE News, Events & Technology Updates

