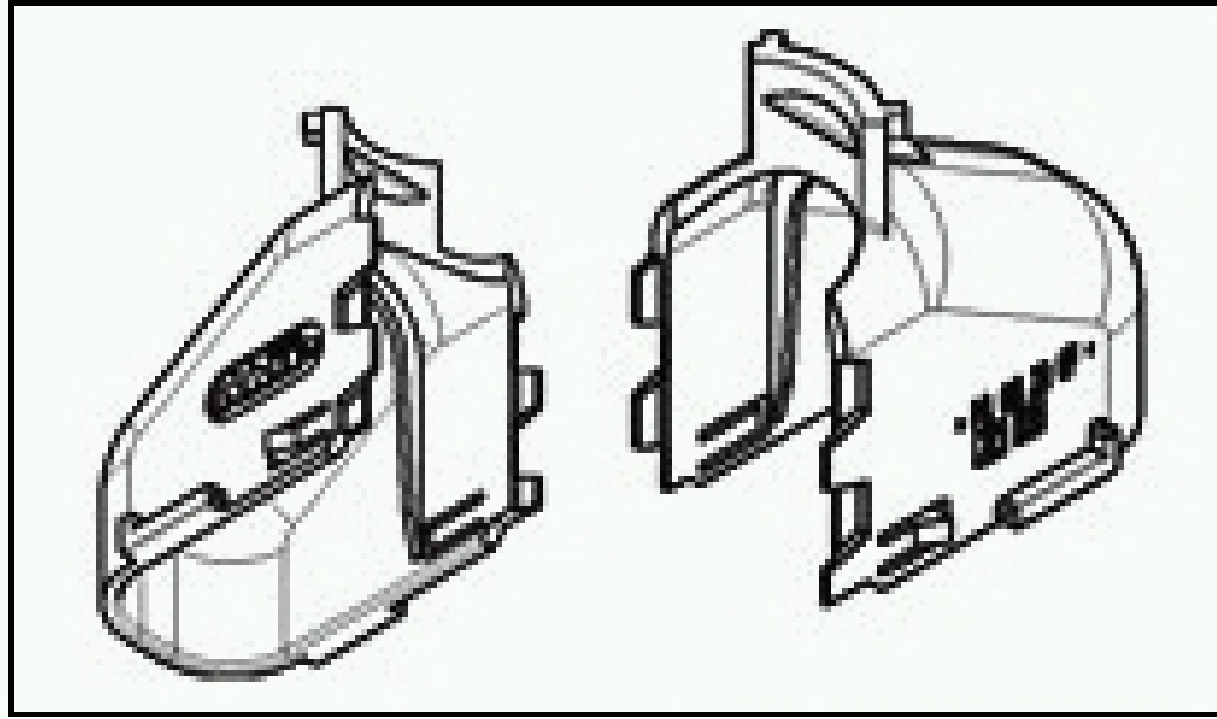


## 953040-1 Product Details

 [Live Product Chat](#)



**953040-1**

TE Internal Number: 953040-1

 **Active**

 [View 3D PDF](#)

### Timer Connectors

 [Always EU RoHS/ELV Compliant \(Statement of Compliance\)](#)

#### Product Highlights:

- Cover
- Connector Type = Hybrid Timer, Micro Timer 2/SPT
- Number of Positions = 31

[View all Features](#)

### Quick Links

- ▶ [Check Pricing & Availability](#)
- ▶ [Search for Tooling](#)
- ▶ [Product Feature Selector](#)
- ▶ [Contact Us About This Product](#)

 [Add to My Part List](#)  [Request Sample](#)  [Find Similar Products](#)  [Buy Product](#)

### Documentation & Additional Information

#### Product Drawings:

- [assembled vertical cover for 31 ways hybrid connector \(PDF, English\)](#)

#### Catalog Pages/Data Sheets:

- None Available

#### Product Specifications:

- [CONNECTEUR 31 VOIES ABS POUR CONTACT MICRO-TIMER II ... \(PDF, English\)](#)

#### Application Specifications:

- None Available

#### Instruction Sheets:

- [CONNECTEUR 31V MT/SPT \(PDF, French\)](#)

#### CAD Files: [\(CAD Format & Compression Information\)](#)

- [2D Drawing \(DXF, Version B\)](#)
- [3D Model \(IGES, Version B\)](#)
- [3D Model \(STEP, Version B\)](#)

#### Related Products:

- [Tooling](#)

[List all Documents](#)

### Product Features (Please use the Product Drawing for all design activity)

#### Product Type Features:

- Product Type = Cover
- [Connector Type](#) = Hybrid Timer, Micro Timer 2/SPT
- Number of Positions = 31
- Color = Black
- Mount = Free Hanging
- For Use With = 31-Way MT/SPT Connectors
- Comment = 180 degree exit angle

#### Industry Standards:

- [RoHS/ELV Compliance](#) = RoHS compliant, ELV compliant
- [Lead Free Solder Processes](#) = Not reviewed for lead free solder process
- RoHS/ELV Compliance History = Always was RoHS compliant

#### Other:

- Brand = Tyco Electronics

 [Provide Website Feedback](#) | [Need Help?](#)