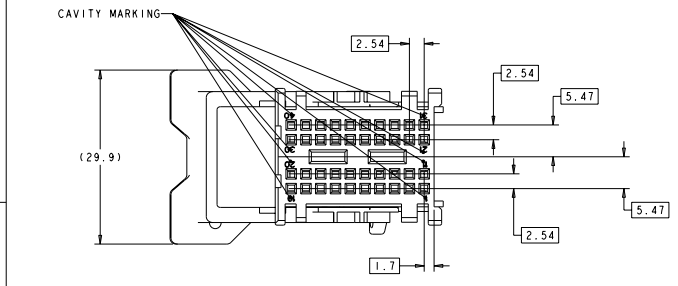
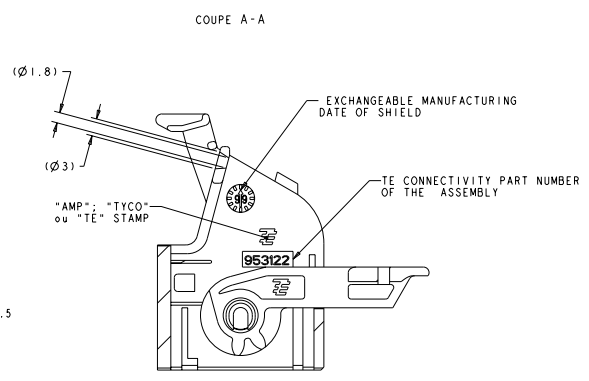
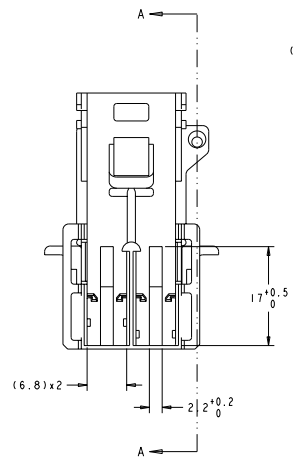
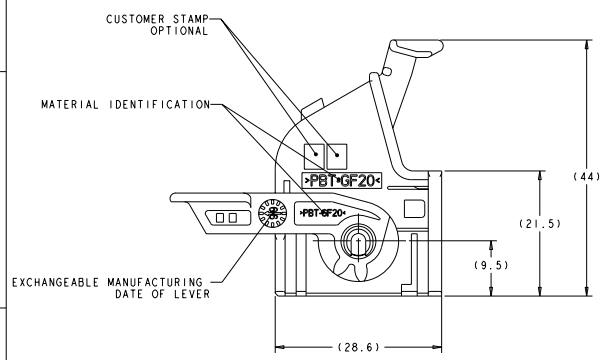
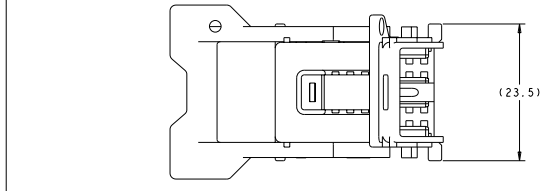


REV	DATE	DESCRIPTION	BY	CHK
00				
A1		REVISED PER ECO-11-005150	CHAMILLI	DK



Notes:
 PARKAGING FOLLOWING SPEC TE CONNECTIVITY: 107-18078 and 107-15368
 PART TO USE WITH:
 SOCKET HOUSING 20 WAYS BROWN REF 953119-3
 SOCKET HOUSING 20 WAYS GREEN REF 953119-1
 CONTACT MOS REF /144969-X; 1379418-X; 1379419-X
 NUMBER MAXI OF WIRE PERMITTED:
 40 WIRES SECTION 0.75mm² (ø maxi insulit 1.9mm)
 RECOMMANDATION SPEC: 411-15597

THIS DRAWING IS A CONTROLLED DOCUMENT.		REV. 00	DATE 08/20/2005	
DRAWING NO. 953122 PART OF 20	REV. 00 DATE 08/20/2005	DRAWING NO. 953122 PART OF 20	DATE 08/20/2005	
ASSEMBLY COVER 40 WAY MOS CABLE-LOCKING AT 15 DEG.				SIZE CASE CODE (DRAWING NO. IN CASE) A 00779 953122
CUSTOMER DRAWING / PLAN CLIENT				SHEET 1 OF 2

REV	NO	DESCRIPTION	DATE	BY	CHK
00	00	SEE SHEET 1			

953122-1	SHIELD	2	1	BLACK	PBT GF 20	<p>8.4±0.1 ECHELLE 3:2</p>
	LEVER	1	1	BLACK	PBT GF 20	
953122-2	SHIELD	2	1	GREY	PBT GF 20	<p>1.7±0.1 11.2±0.1 ECHELLE 3:2</p>
	LEVER	1	1	BLACK	PBT GF 20	
953122-3	SHIELD	2	1	WHITE	PBT GF 20	<p>1.2±0.1 1.7±0.1 ECHELLE 3:2</p>
	LEVER	1	1	BLACK	PBT GF 20	
953122-4	SHIELD	2	1	BLUE	PBT GF 20	<p>5.6±0.1 1.7±0.1 ECHELLE 3:2</p>
	LEVER	1	1	BLACK	PBT GF 20	
TE CONNECTIVITY PART NUMBER	COMPONENT	Rep	Q.	COLOR	MATERIAL	CODING

953122-5	SHIELD	2	1	BLACK	PBT GF 20	<p>8.4±0.1 2.7±0.2 ECHELLE 3:2</p>
	LEVER	1	1	BLACK	PBT GF 20	
953122-6	SHIELD	2	1	GREY	PBT GF 20	<p>2.7±0.1 1.7±0.1 11.2±0.1 ECHELLE 3:2</p>
	LEVER	1	1	BLACK	PBT GF 20	
953122-7	SHIELD	2	1	WHITE	PBT GF 20	<p>2.7±0.1 1.2±0.1 1.7±0.1 ECHELLE 3:2</p>
	LEVER	1	1	BLACK	PBT GF 20	
953122-8	SHIELD	2	1	BLUE	PBT GF 20	<p>5.6±0.1 2.7±0.1 1.7±0.1 ECHELLE 3:2</p>
	LEVER	1	1	BLACK	PBT GF 20	
TE CONNECTIVITY PART NUMBER	COMPONENT	Rep	Q.	COLOR	MATERIAL	CODING

THIS DRAWING IS A CONTROLLED DOCUMENT. IT IS THE PROPERTY OF TE CONNECTIVITY. IT IS TO BE KEPT IN CONFIDENCE AND NOT TO BE REPRODUCED OR TRANSMITTED IN ANY FORM OR BY ANY MEANS, ELECTRONIC OR MECHANICAL, INCLUDING PHOTOCOPYING, RECORDING, OR BY ANY INFORMATION STORAGE AND RETRIEVAL SYSTEM.

REV: 00
DATE: 08/08/2008
BY: 60322/2008
CHK: 60322/2008

TE CONNECTIVITY
ASSEMBLY COVER 40 WAY MOS
CABLE-LOCKING AT 15 DEG.

SIZE: CASE CODE DRAWING NO. IN FILE
A | 00779 | 953122

REV: 00
DATE: 08/08/2008
BY: 60322/2008
CHK: 60322/2008

CUSTOMER DRAWING / PLAN CLIENT / NON INTERCHANGEABLE / ECHELLE 2:1 / FICHE 2 / 2 / 147A