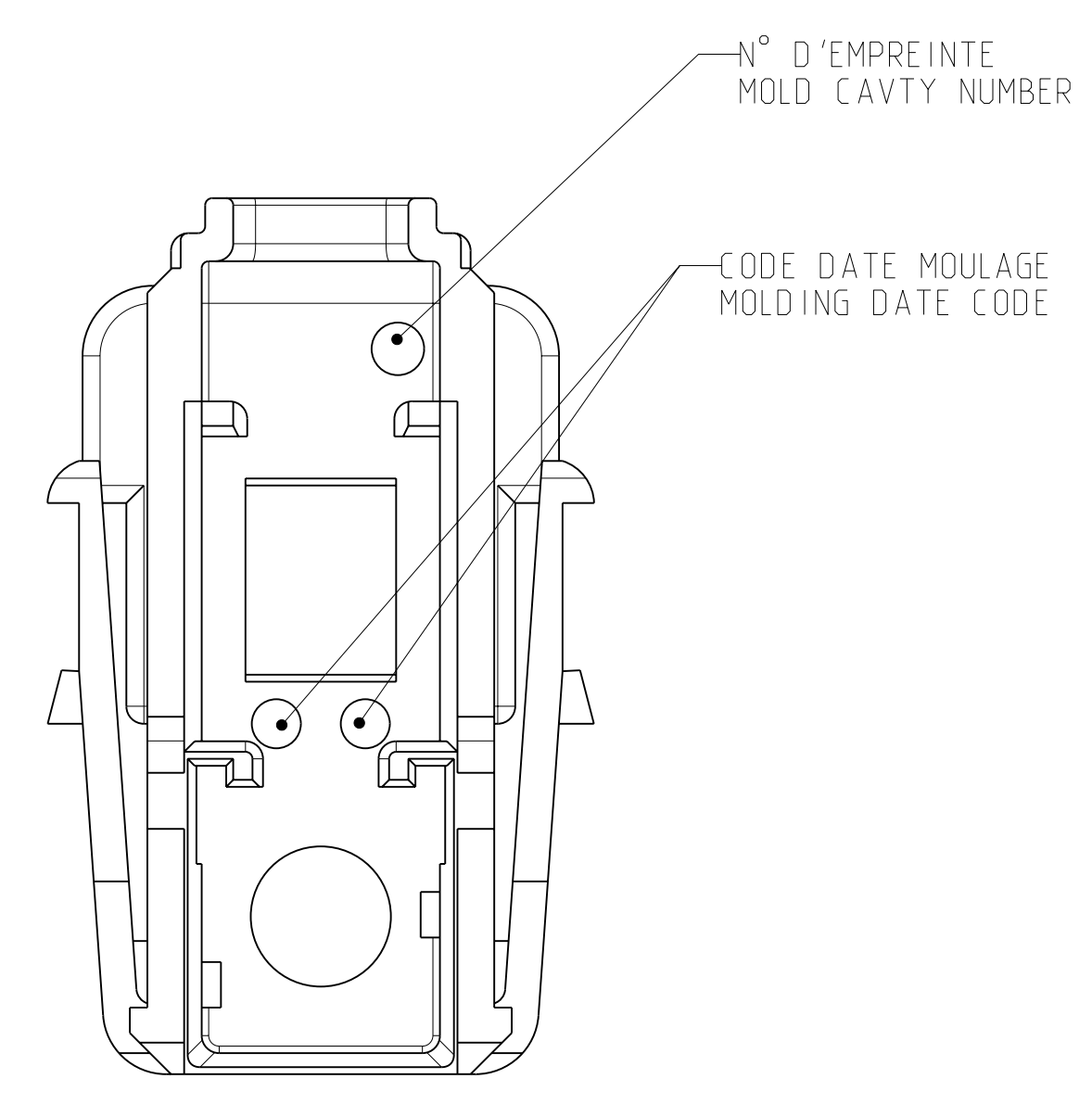
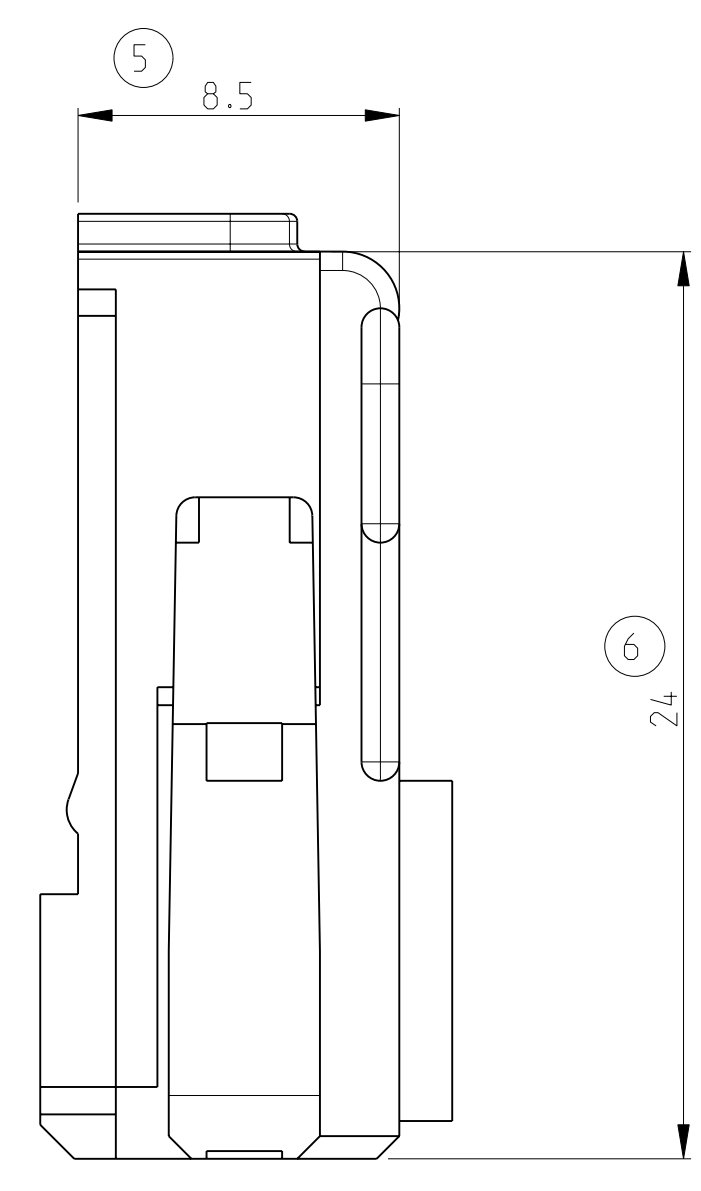
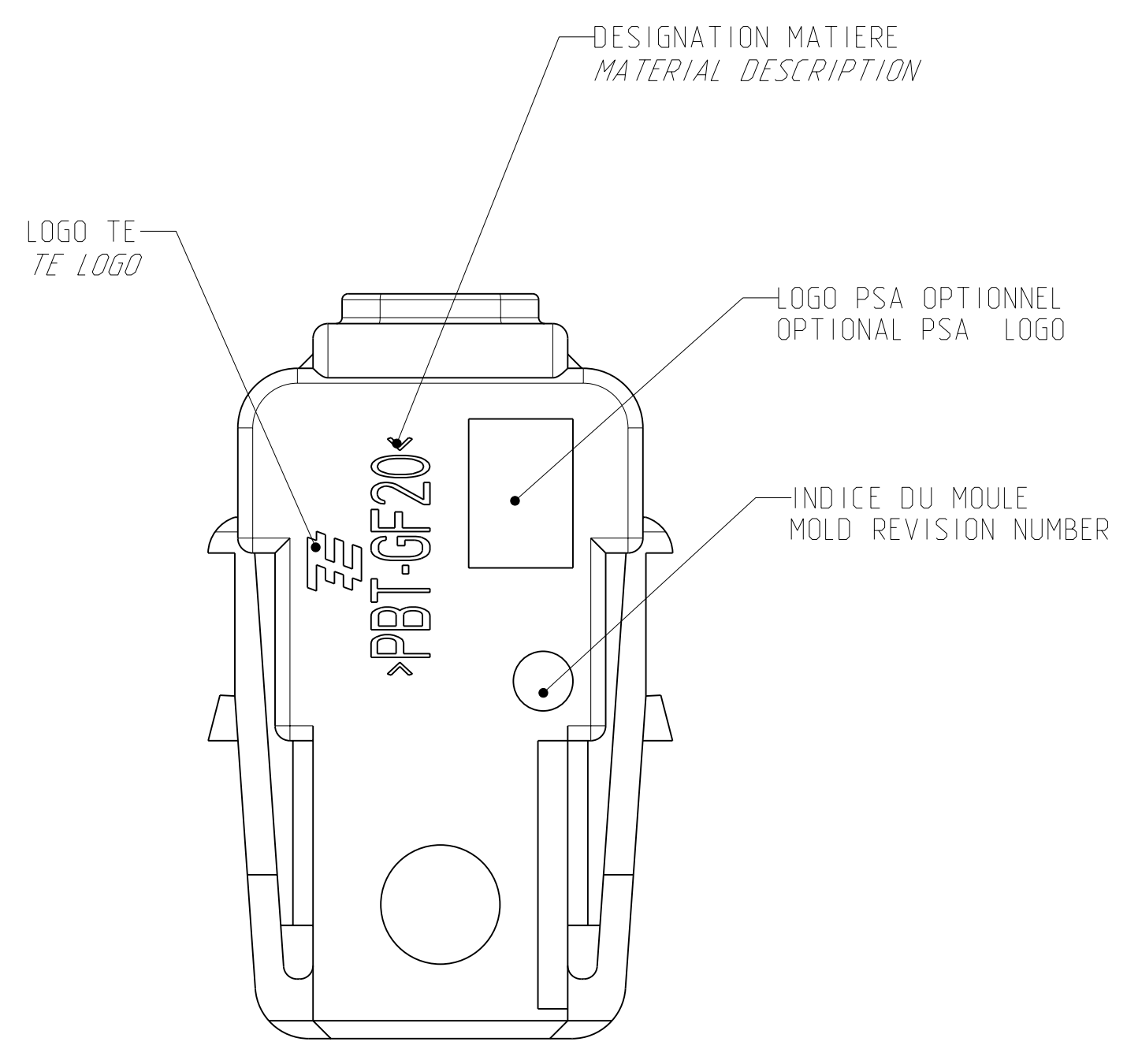
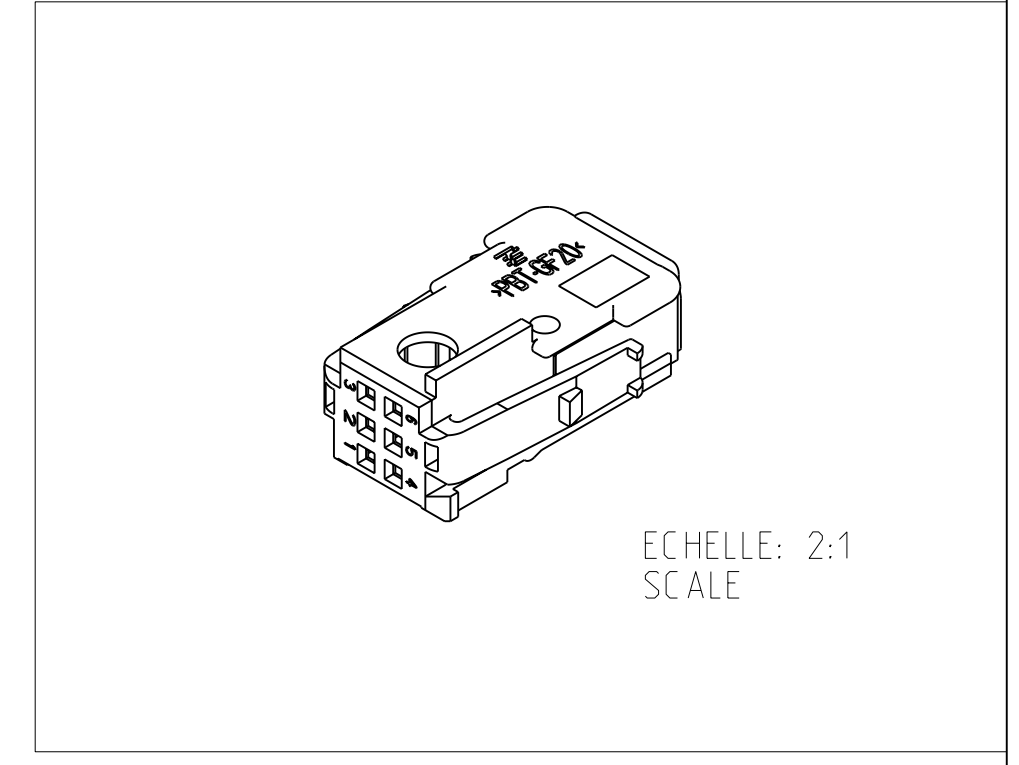
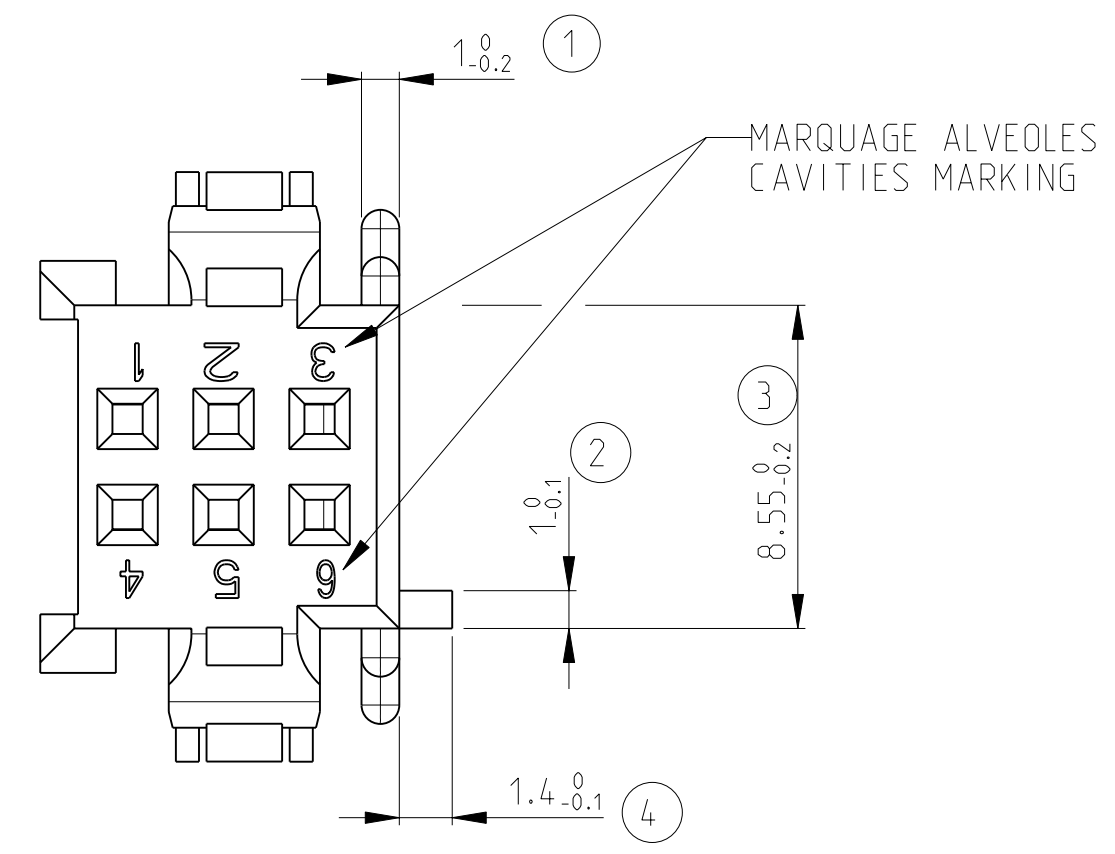


LOC	DIST	REVISIONS					
F	00	P	LTR	DESCRIPTION	DATE	DWN	APP
		A		FIRST ISSUE	12DEC2005	RP	JPP
		B		UPDATE DRAWING	10JUL2009	NS	XR



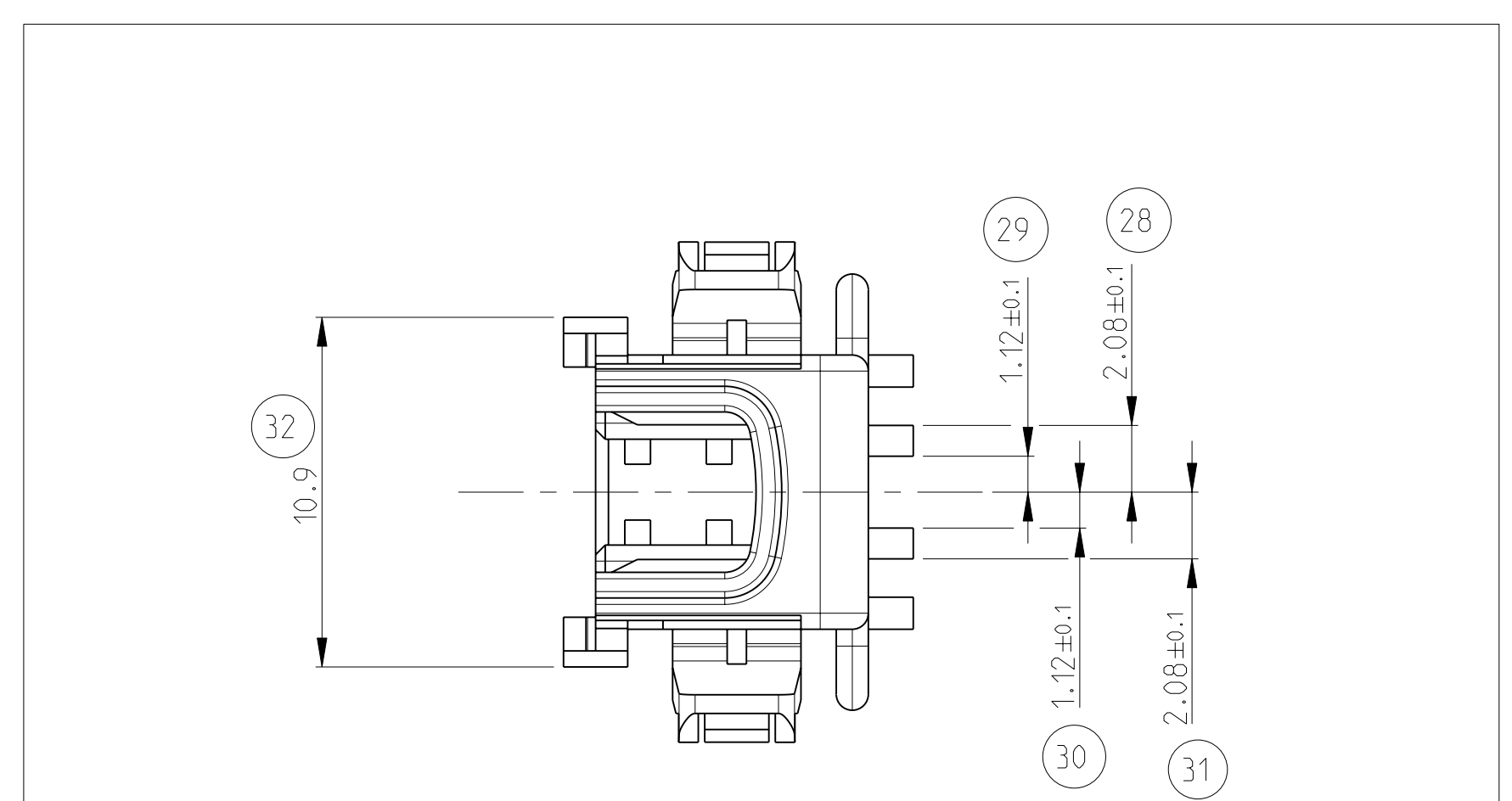
MATIERE MATERIAL	COULEUR COLOR	REF TE TE PN	DETROMPAGE KEYING
PBT 20% FV PBT GF20	MARRON BROWN	953382-4	
PBT 20% FV PBT GF20	VERT GREEN	953382-3	
PBT 20% FV PBT GF20	BLANC WHITE	953382-2	
PBT 20% FV PBT GF20	NOIR BLACK	953382-1	

COMPOSANTS ASSOCIES MATING PARTS	
REF. TE TE PART NUMBER	DESIGNATION
185311-1	MODULE 6 VOIES MQS SOCKET HOUSING 6 POS MQS
953381-1	VERROU POUR BOITIER MQS LOCKING DEVICE FOR MQS

NOTE

1 - CABLAGE MAXI : 6 FILS DE SECTION 0.6 mm²
(DIA MAXI ISOLANT DE 1.9 mm)
POUR ETRE EN CONFORMITE AVEC LA SPEC. 108-15192

- MAXIMAL CABLING : 6 WIRES SECTION 0.6mm²
(DIA MAXIMAL INSULATOR 1.9mm)
TO BE IN ACCORDANCE WITH THE SPEC. 108-15192



DEFINITION DES DETROMPAGES
DEFINITION OF KEYINGS

953382-1 REPRESENTEE
AS SHOWN

<small>THIS DRAWING IS UNPUBLISHED. DIVISION SYSTEME AMP BY TYCO ELECTRONICS CORPORATION. ALL RIGHTS RESERVED. THIS DRAFTS RESERVE.</small>		DWN/DESIGNE R.PATIN 12DEC2005		Tyco Electronics France SAS 95300 Pontoise, France	
DIMENSIONS: mm		TOLERANCES UNLESS OTHERWISE SPECIFIED: DIMENSIONS: mm ANGLES: °		NAME COVER FOR 6W HSG MQS GENE 2 PORTE-MODULE 6VOIES MQS GENE 2	
MATERIAL/MATIERE -		FINISH/FINITION -		WEIGHT MASSE APPROX.: 1.2g	
CUSTOMER DRAWING /PLAN CLIENT		UNIFORMEMENT FOUR REFERENCE		SCALE ECHELLE 5:1	
APVD/APPROUVE L.DAHER		DATE 12DEC2005		SIZE FORMAT A1	
PRODUCT SPEC SPEC. PRODUIT 108-15192		APPLICATION SPEC SPEC. APPLICATION 411-15608		DRAWING NO No PLAN 007779	
CAGE CODE -		DRAWING NO -		SHEET FEUILLE 1 OF 1	
RESTRICTED TO RESERVE A		REV B		REV B	