

Distributed by:

JAMECO[®]
ELECTRONICS

www.Jameco.com ♦ 1-800-831-4242

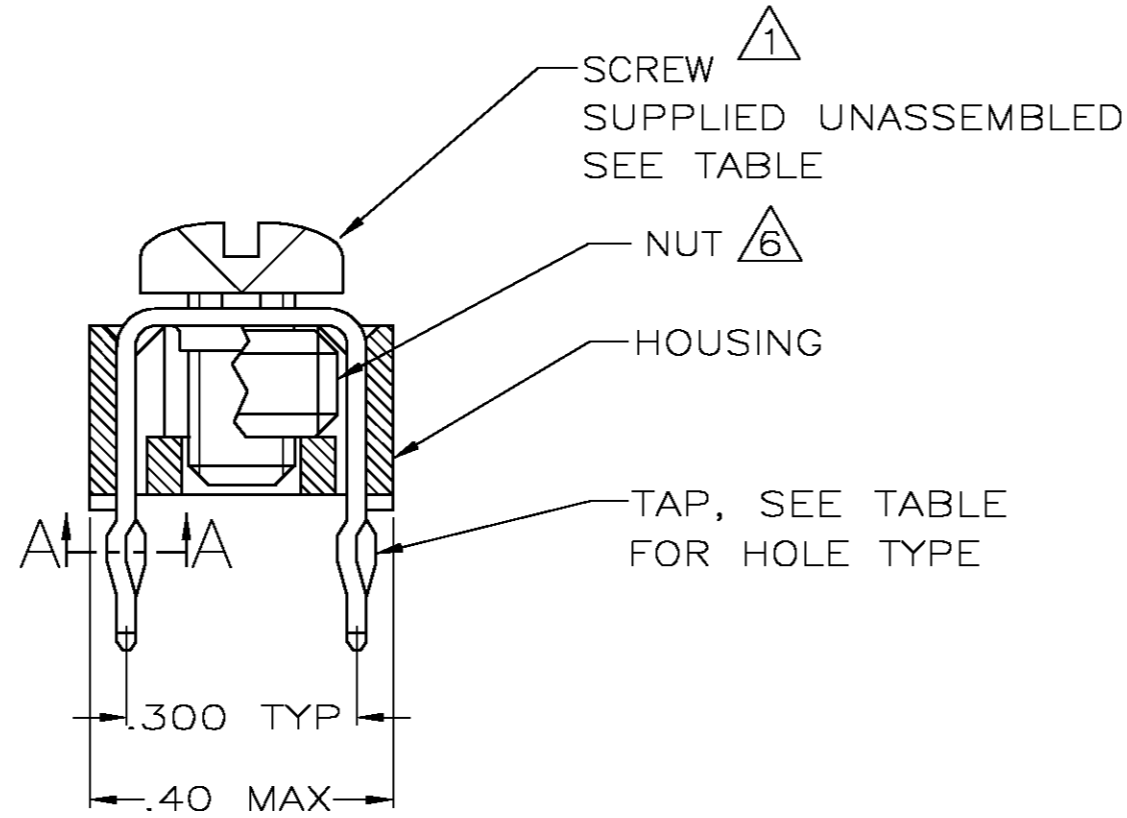
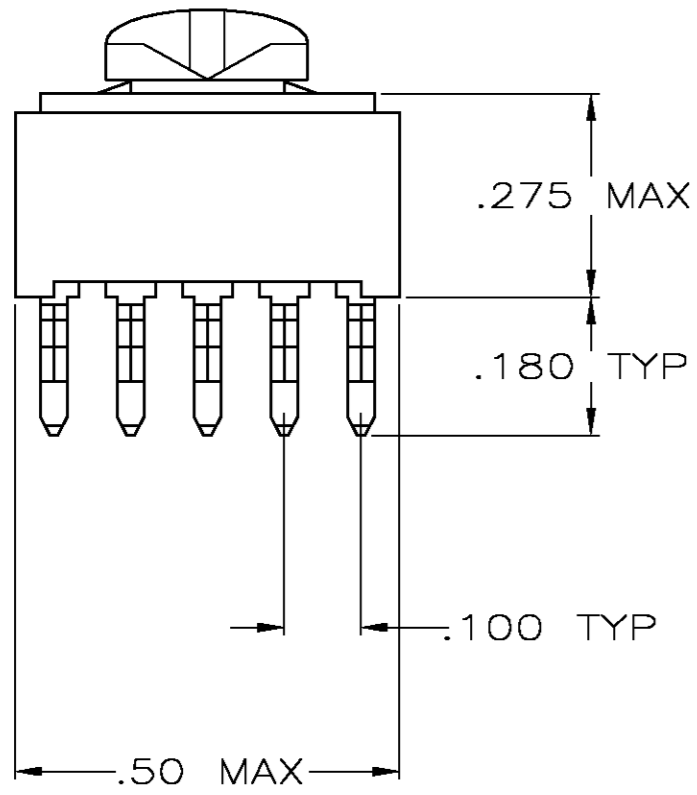
The content and copyrights of the attached
material are the property of its owner.

Jameco Part Number 1934796

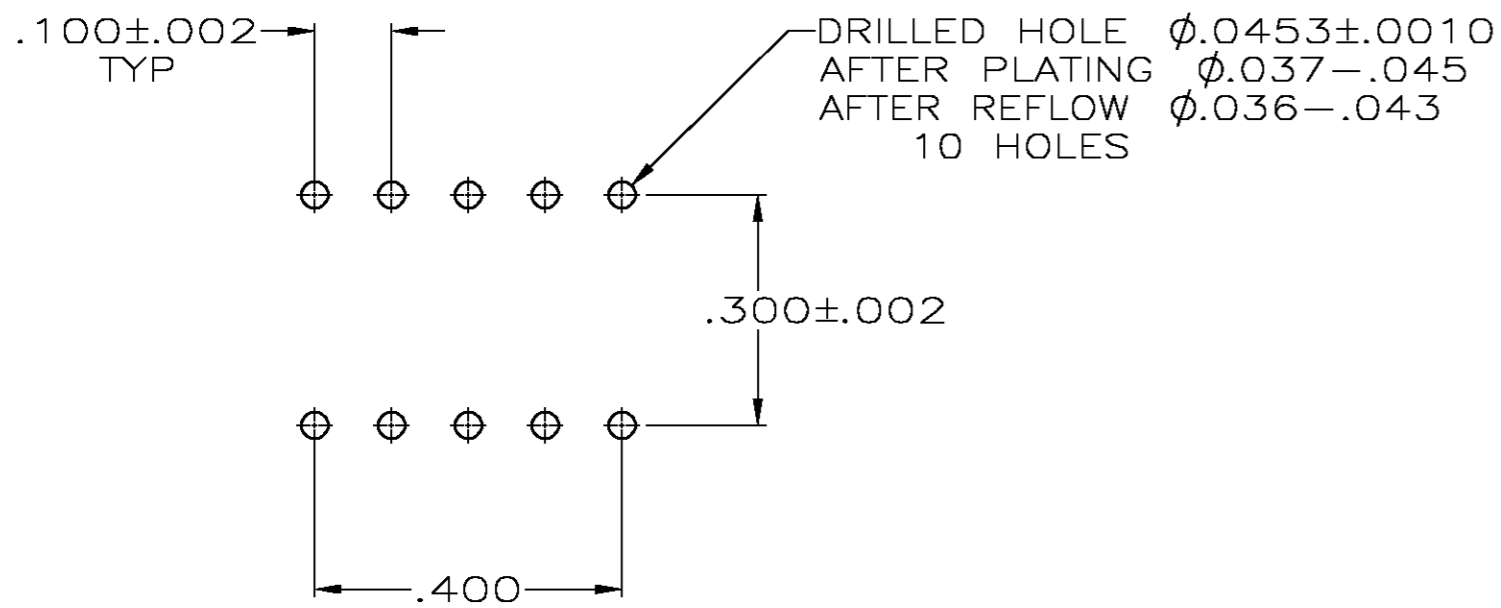
THIS DRAWING IS UNPUBLISHED. RELEASED FOR PUBLICATION
 © COPYRIGHT BY TYCO ELECTRONICS CORPORATION. ALL RIGHTS RESERVED.

LOC	DIST	REVISIONS			
P	LTR	DESCRIPTION	DATE	DWN	APVD
GP	00	S	ADDED 9--0 PER EC OS12-0217-03	12MAY03	AWF AWF

.050±.005 DIA
 SECTION A-A
 SCALE 10:1
 10 PLACES



- ① TO PREVENT THREAD STRIPPING, SCREW TORQUE SHOULD NOT EXCEED 9 IN LBS.
- ② TAP HOLE IS 6-32UNC-2B, TWO MIN THREADS.
- ③ TAP HOLE IS M4 X 0.7, TWO MIN THREADS.
- ④ PACKAGED BULK.
- ⑤ PACKAGED INDIVIDUALLY.
- ⑥ NUT INCREASES TORQUE VALUE TO 26 IN LBS.
- ⑦ HOUSING: NYLON UL 94V-0. TAP: COPPER ALLOY 735, .025 THICK.
- ⑧ TAP: .000150 TIN-LEAD OVER .000050 NICKEL.
- ⑨ CLEARANCE HOLE FOR A 6-32 SCREW.
- ⑩ TAP: .000150 TIN OVER .000050 NICKEL.



PC BOARD PATTERN

PACKAGE	FINISH	HOLE TYPE	HOUSING COLOR	HOUSING AND TAP ASSEMBLED	SCREW	PART NO.
	④	⑩	②	BLACK	YES	993879-1 9-55556-0
	④	⑧	⑨	BLACK	⑥ YES (W/NUT)	NO 1-55556-3
	④	⑧	⑨	BLACK	⑥ YES (W/NUT)	993879-1 1-55556-2
OBSOLETE	⑤	⑧	②	BLACK	YES	993879-1 1-55556-1
SUPSD BY -9	-	⑧	③	BLACK	YES	NO 1-55556-0
	④	⑧	③	BLACK	YES	M4 X 0.7 X 6MM 55556-9
SUPSD BY -4	-	⑧	②	WHITE	YES	993879-1 55556-8
SUPSD BY -4	-	⑧	②	GREEN	YES	993879-1 55556-7
SUPSD BY -4	-	⑧	②	BLUE	YES	993879-1 55556-6
SUPSD BY -4	-	⑧	②	RED	YES	993879-1 55556-5
	④	⑧	②	BLACK	YES	993879-1 55556-4
	④	⑧	②	BLACK	YES	NO 55556-3
OBSOLETE	-	⑧	②	BLACK	NO	993879-1 55556-2
	-	⑧	②	BLACK	NO	NO 55556-1

THIS DRAWING IS A CONTROLLED DOCUMENT.

DIMENSIONS: INCHES	TOLERANCES UNLESS OTHERWISE SPECIFIED:	DWN: J.McCLINTON 1-11-88	Tyco Electronics Corporation Harrisburg, PA, 17105
	0 PLC ± -	CHK: R.STONE 1-11-88	
	1 PLC ± -	APVD: M.GALLOWAY 1-11-88	
MATERIAL	FINISH	NAME	TAP ASSEMBLY, POWER DISTRIBUTION
		PRODUCT SPEC	108-11030
		APPLICATION SPEC	114-1100
		SIZE	A2
		CAGE CODE	00779
		DRAWING NO	C=55556
		RESTRICTED TO	
		SCALE	4:1
		SHEET	1 OF 1
		REV	S

CUSTOMER DRAWING

55556

B

A