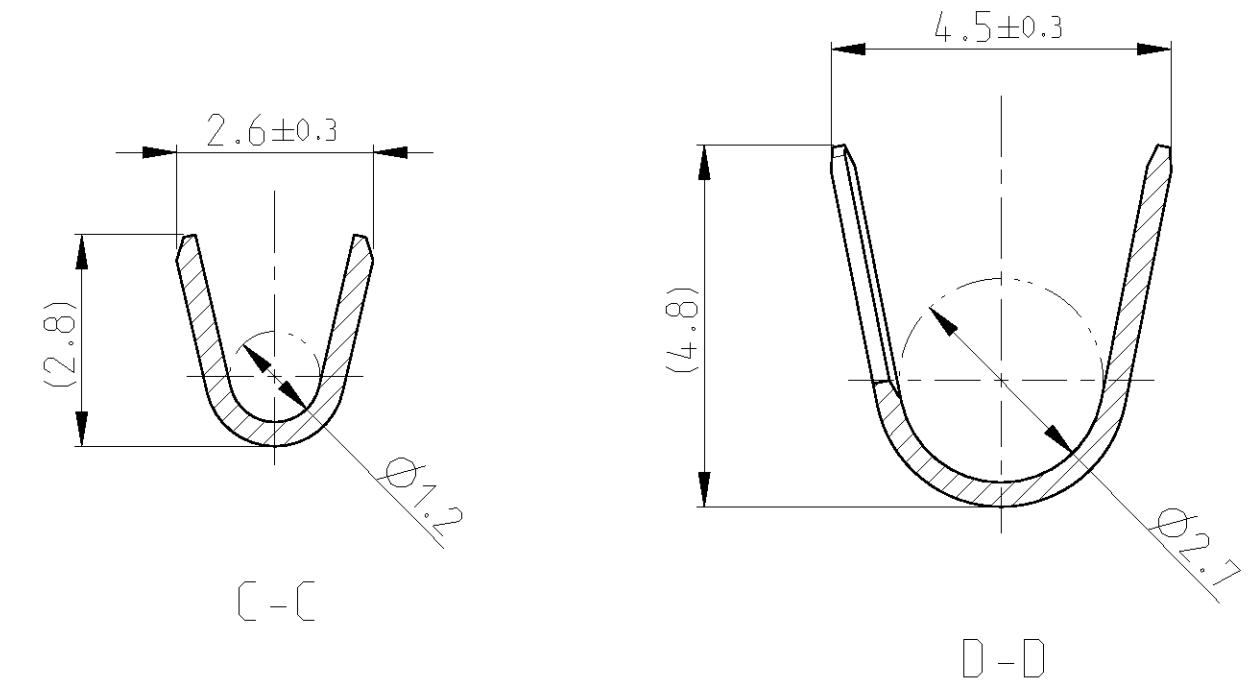
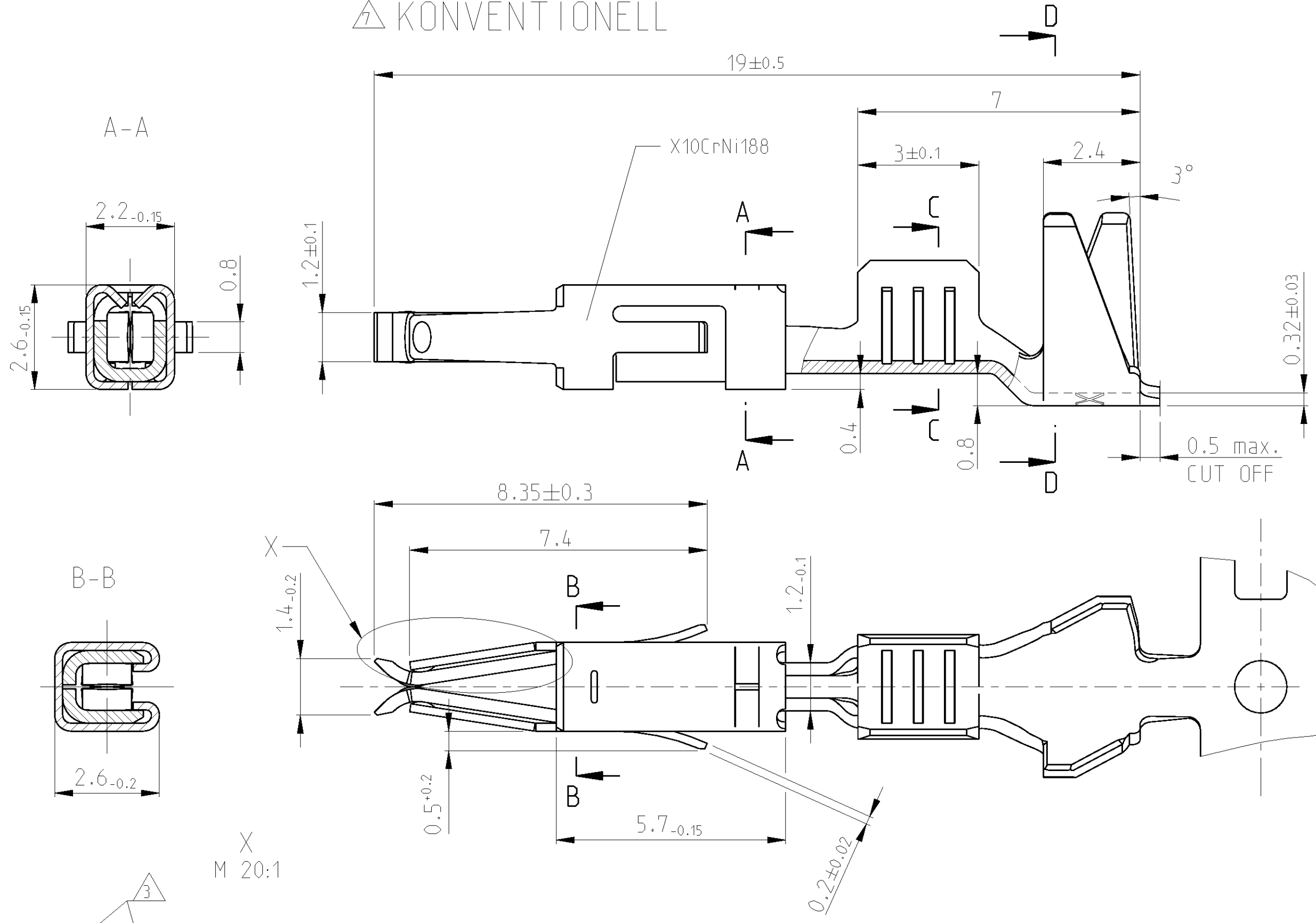


THIS DRAWING IS UNPUBLISHED. RELEASED FOR PUBLICATION 2008
 © COPYRIGHT 2008 ALL RIGHTS RESERVED.

REVISIONS							
LOC	DIST	P	LTR	DESCRIPTION	DATE	DWN	APVD
A1	-						
		N2		REVISED PER ECO-11-005150	18MAY2011	RK	HMR
		N3		NEW VERISON OF GOLD CONTACTS PRERMITTED.	18MAY2011	Kirs	Mair
		N4		OPTIONAL to note 8 TTD added. (area A3)	29JUN2011	Kirs	Mair
		N5		PRODUCT SPEC CORRECTED	23JUN2014	Ho.	Eder

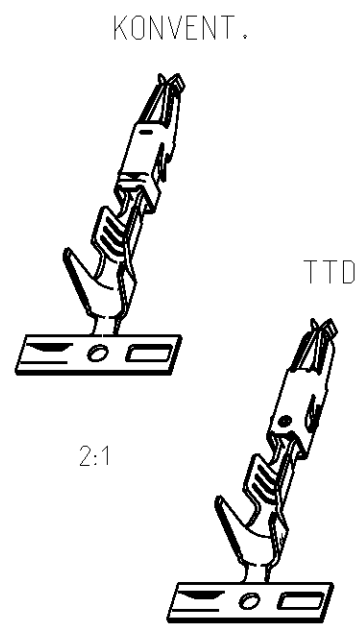
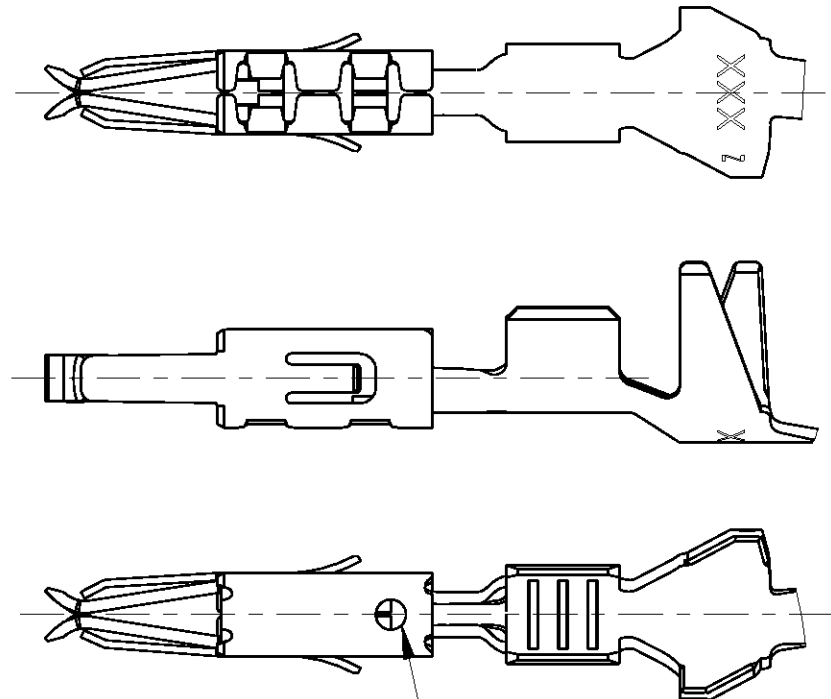
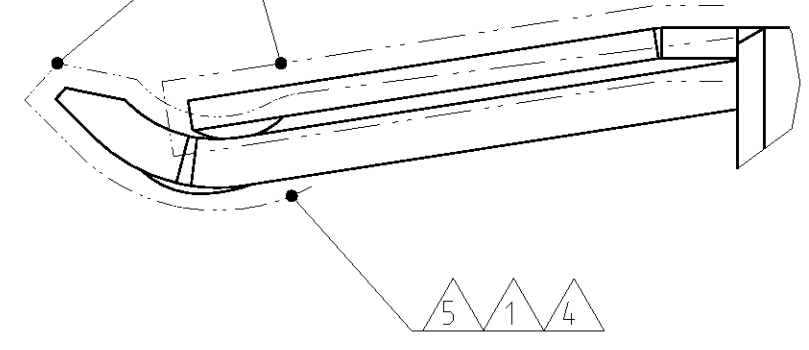
7 KONVENTIONELL



NOTES
Bemerkungen

- 1 SELECTIVE GOLD PLATED MIN. 0.8 µm OVER NI
selektiv vergoldet 0.8 µm ueber Ni
- 2 TIN PLATED MIN. 0.2 µm OVER NI
verzinkt 0.2 µm ueber Ni
- 3 CONTACT SURFACE SEL. GOLD PLATED MIN. 0.8 µm OVER NI
CANTILEVER SPRING COMPLETELY GOLD PLATED ON BOTH SIDES
sel. vergoldet auf der Kontaktobenseite 0.8 µm min. ueber Ni
Ueberfeder komplett auf beiden Seiten vergoldet
- 4 GAL. TIN PLATED MIN. 1.0 µm OVER NI
gal. verzinkt 1.0 µm ueber Ni
- 5 SELECTIVE GOLD PLATED MIN. 1.27 µm OVER NI
selektiv vergoldet 1.27 µm min. ueber Ni
- 6 WIRE RANGE : 0.5 - 1.0 mm²
INSULATION-Ø: 2.8 mm (SINGLE WIRE SEAL)
Drahtgroessenbereich: 0.5 - 1.0 mm²
Isolations-Ø: 2.8 mm (Einzeldichtung)

8 TWO TRACK DIE
M 5:1



OPTIONAL
wahlweise

VERSION	LP NO	SURFACE / Oberflaeche	MATERIAL	PART NO	REV
8 7	963711-7	5 2	CuFe2	962876-7	B
8 7	963711-6	3 4 2	CuSn4	962876-6	N
8 7	963711-5	1 2	CuFe2	962876-5	N
8 7	963711-3	1 2	CuSn4	962876-3	N
8	963711-2	PRETIN / vorverzinkt	CuFe2	962876-2	N
8	963711-1	PRETIN / vorverzinkt	CuSn4	962876-1	N

THIS DRAWING IS A CONTROLLED DOCUMENT.

DWN: R.Hofer 05-JAN-89
 CHK: L.Nix 05-APR-89
 APVD: M.Bleicher 25-JUN-08

STE TE Connectivity

MICRO TIMER 2 CONTACT WITH DOUBLE LOCKING LANCE mit doppelter Rastfeder

PRODUCT SPEC: 108-18055
 APPLICATION SPEC: 114-18081
 WEIGHT: 0.3 g

SIZE: A2 CAGE CODE: 00779 DRAWING NO: 962876 RESTRICTED TO: -
 SCALE: 10:1 SHEET: 1 OF 1 REV: N5

Customer Drawing