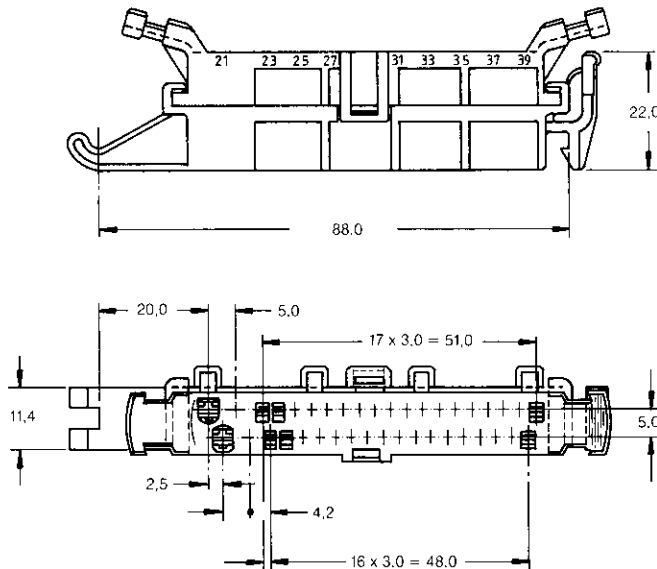


**Weitere
Timer Gehäuse
(Fortsetzung)**

39polig
Best.-Nr. **828771-1**

Passend zu:
Best.-Nr. **828772**
Best.-Nr. **828773**
Best.-Nr. **963578**
Best.-Nr. **963574**



**Additional
Timer Housings
(continued)**

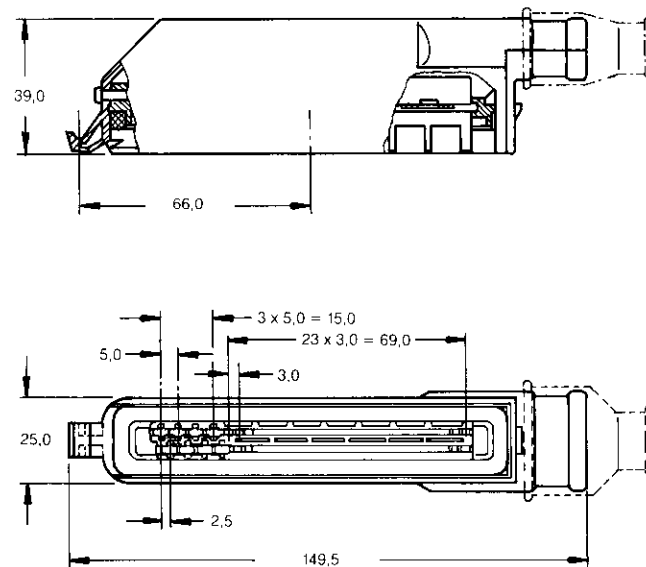
39 Positions
Part No. **828771-1**

Mating with:
Part No. **828772**
Part No. **828773**
Part No. **963578**
Part No. **963574**

55polig
Best.-Nr. **828761-1**

(47 x Junior-Power-Timer,
8 x Micro-Timer I)

Passend zu:
Best.-Nr. **828763**



55 Positions
Part No. **828761-1**

(47 x Junior-Power-Timer,
8 x Micro-Timer I)

Mating with:
Part No. **828763**

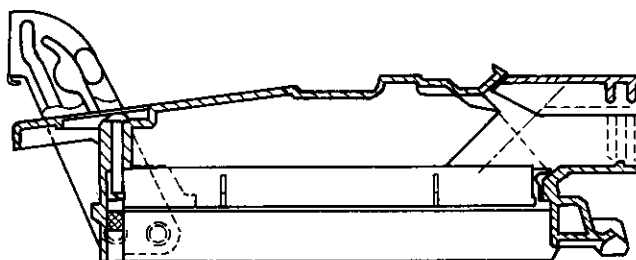
55polig
Best.-Nr. **963534**

Kodierung 8:
Best.-Nr. **963534-1**

Kodierung 12:
Best.-Nr. **1-963534-1**

Weitere Kodierungen auf Anfrage

Passend zu:
Best.-Nr. **142723-2** mit
Best.-Nr. **142719-2**
Best.-Nr. **963063**



55 Positions
Part No. **963534**

Coding 8:
Part No. **963534-1**

Coding 12:
Part No. **1-963534-1**

Further codings on request

Mating with:
Part No. **142723-2** with
Part No. **142719-2**
Part No. **963063**