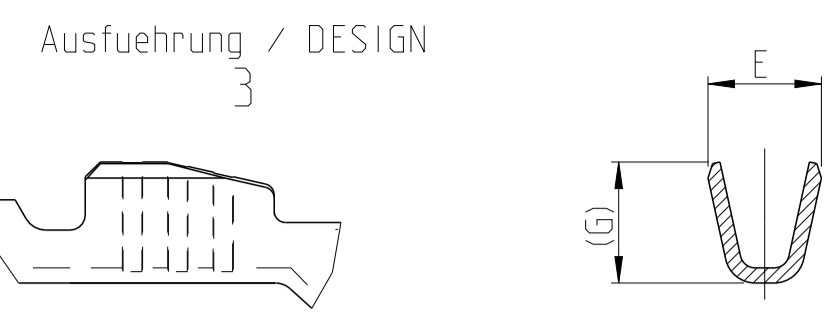
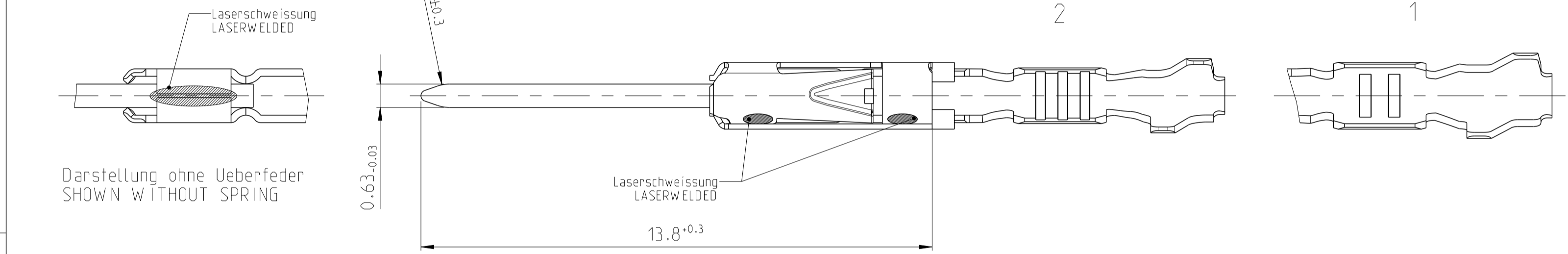
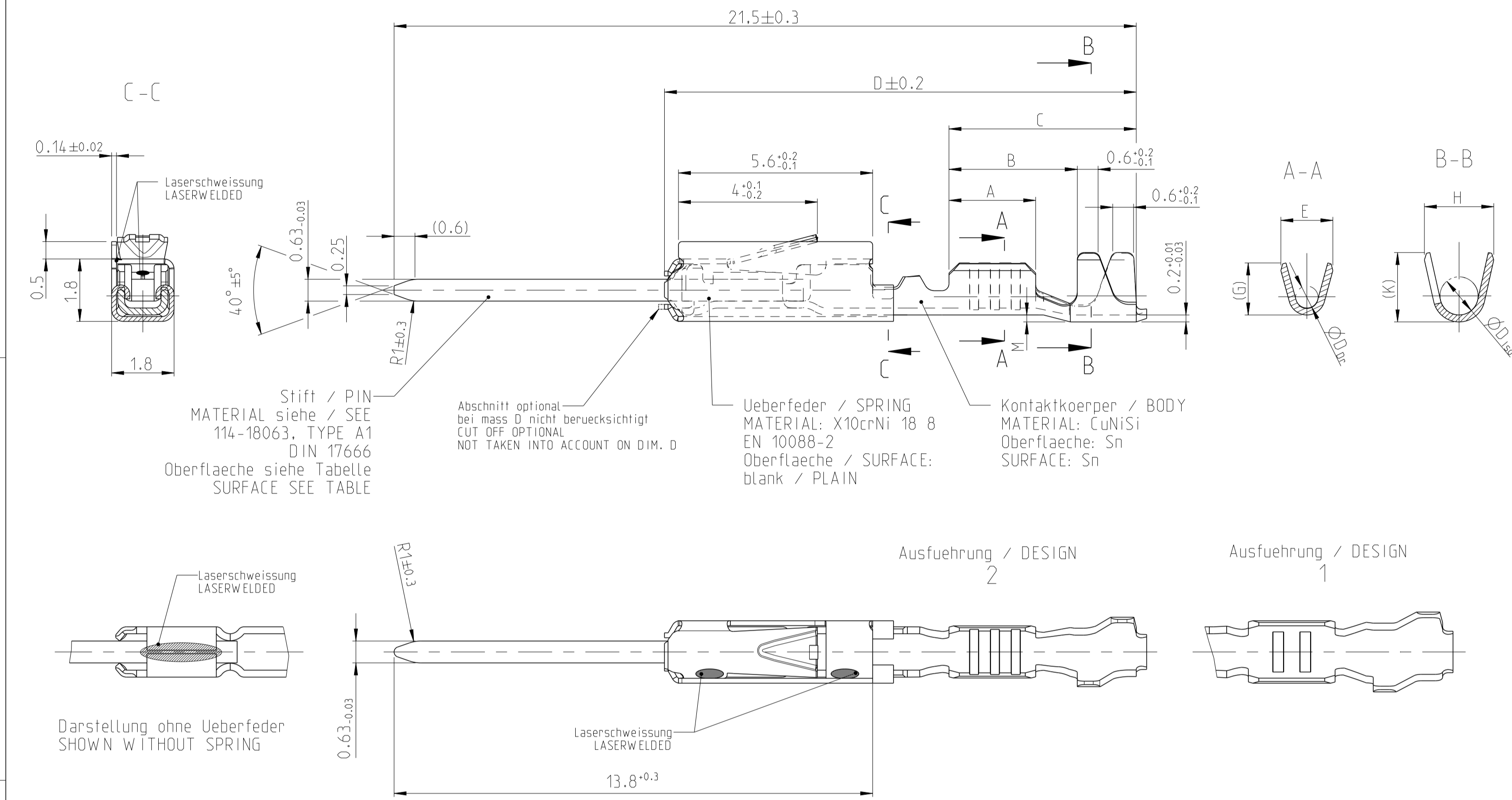
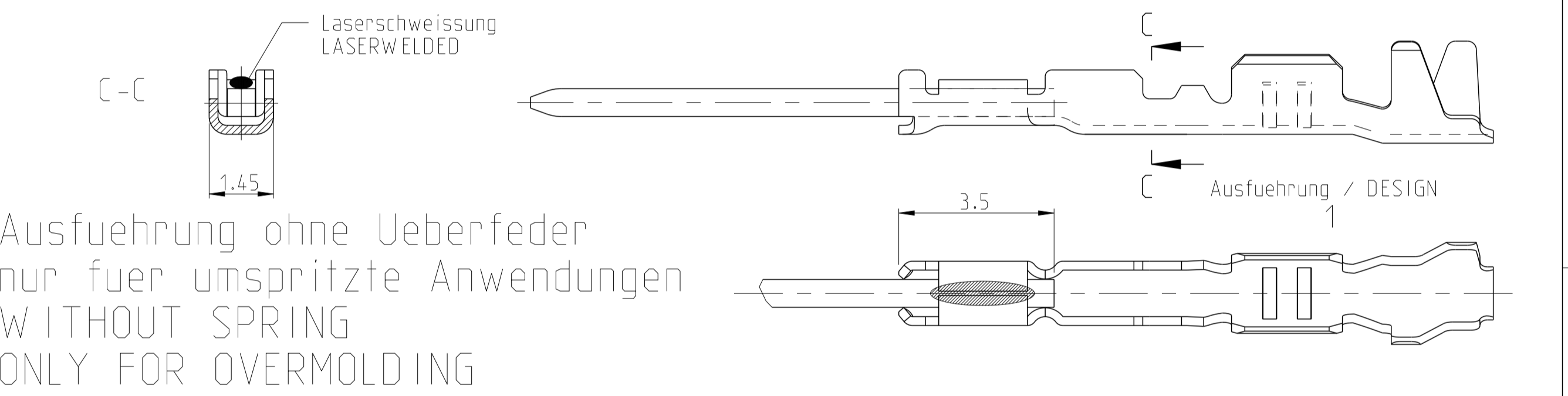
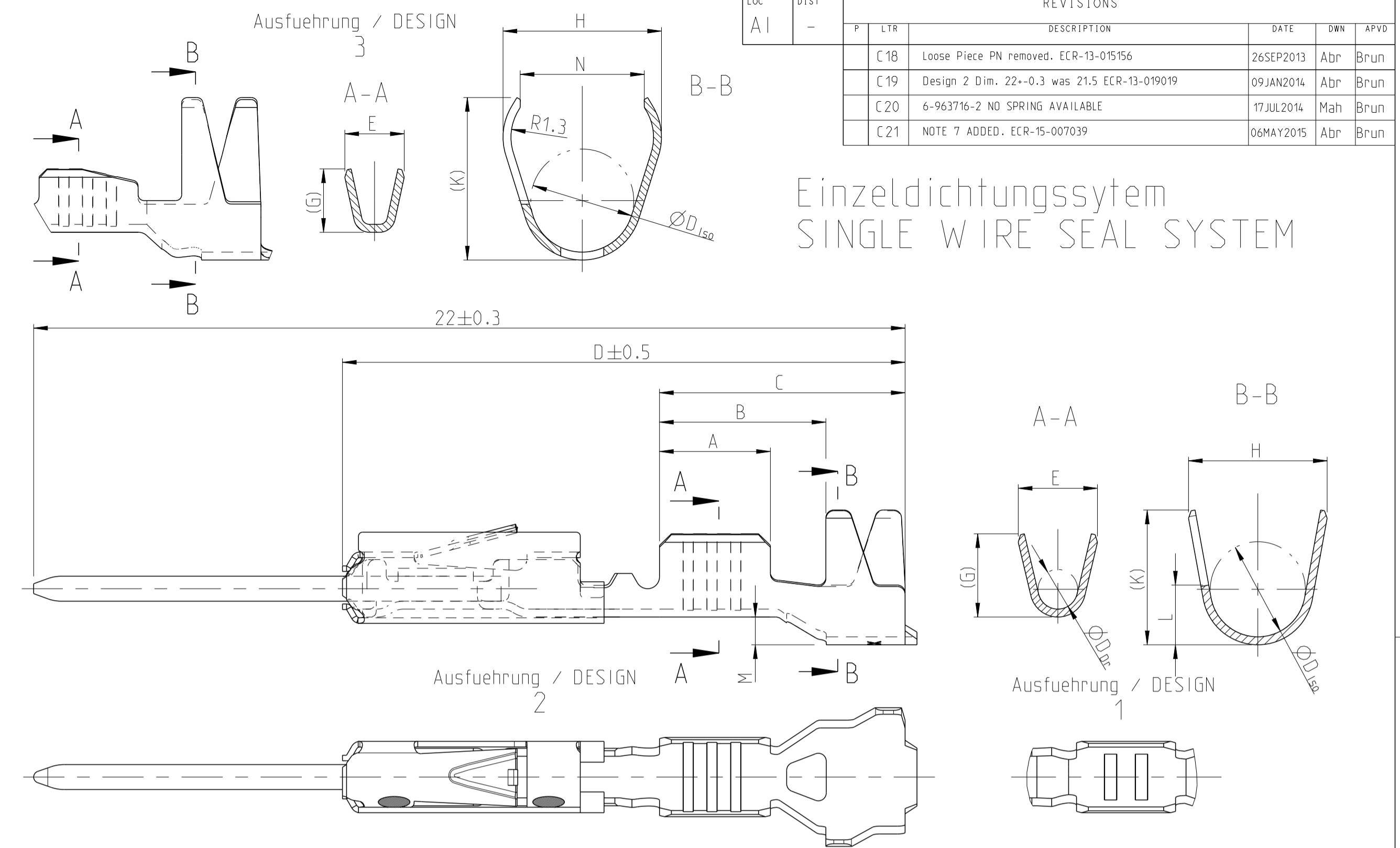


Normale Anwendung
USUAL APPLICATION



Ausfuehrung / DESIGN

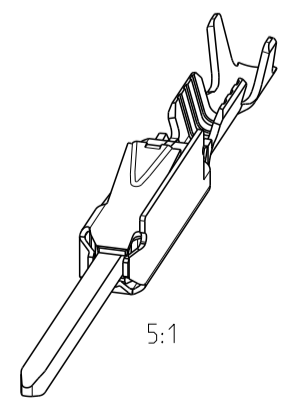
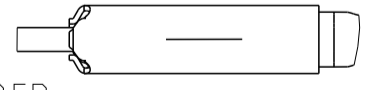


LOC	DIST	REVISIONS			
A1	-	NO.	DATE	BY	APPV
C18		Loose Piece PN removed. ECR-13-015156	26SEP2013	Abr	Brun
C19		Design 2 Dim. 22±0.3 was 21.5 ECR-13-019019	09JAN2014	Abr	Brun
C20		6-963716-2 NO SPRING AVAILABLE	17JUL2014	Mah	Brun
C21		NOTE 7 ADDED. ECR-15-007039	06MAY2015	Abr	Brun

Bestell-Nr. / ORDER NO. / DESIGN	Bestell-Nr. / ORDER NO. / DESIGN	Rev	Ueberfeder vorhanden / SPRING AVAILABLE	VERSION	DGB Wire Size Range mm ²	Oberflaeche / SURFACE	Laenge / LENGTH mm	Drahtcrimp / WIRE CRIMP mm	Iso-crimp / INSU-CRIMP mm	Gewicht / WEIGHT g	Verarbeitung / APPLICATION SPEC.	DGB Wire Size Range mm ²	Isolations Ø / INSULATION DIA. mm	fuer Kammer Ø3.45 FOR CAVITY DIA. 3.45 mm	Blindstopfen / RUBBER PLUG	fuer Kammer Ø4 FOR CAVITY DIA. 4 mm	Blindstopfen / RUBBER PLUG
5-965908-2	E	965908-2	ja / YES	Einzeldichtungssystem / SINGLE WIRE SEAL SYSTEM	0.50-0.75	Au	A = 2.8 B = 4.2 C = 6.2 D = 14.3 M = 0.7	E = 2 G = 2.1 Dr = 1	H = 3.5 K = 3.4 L = 1.5 D _{ISO} = 2.4	0.18	114-18025	0.75	1.4-1.9	967067-1 gruen / GREEN	967056-1 blau / BLUE	963142-1 schwarz / BLACK	963143-1 weiss / WHITE
5-965908-1	D	965908-1	ja / YES														
5-962886-2	P	962886-2	ja / YES	normale Anwendung / USUAL APPLICATION	0.13-0.17	Au	A = 2.5 B = 4 C = 5.9 D = 13.9 M = 0.6	E = 1.5 G = 1.4	H = 4 K = 3.9 N = 3.1 D _{ISO} = 2.6	0.15	114-18021	0.13	0.85-1.25	967067-2 gelb / YELLOW	963142-2 grau / GREY		
5-962886-1	N	962886-1	ja / YES														
6-963716-2	A		nein / NO	0.25-0.35	Au	A = 2.5 B = 3.6 C = 5.6 D = 13.65 M = 0.2	E = 1.8 G = 1.8 Dr = 0.8	H = 2.3 K = 2.3 L = 0.6 D _{ISO} = 1.4	0.16								
6-963716-1	A	1-963716-2	nein / NO														
5-963716-3	A		ja / YES	0.08-0.22	Au	A = 2.5 B = 3.6 C = 5.6 D = 13.65 M = 0.2	E = 1.5 G = 1.5 Dr = 0.65	H = 2 K = 2 D _{ISO} = 1.1	0.15								
5-963716-2	Z	963716-2	ja / YES														
5-963716-1	W	963716-1	ja / YES	0.13-0.17	Au	A = 2.5 B = 3.6 C = 5.6 D = 13.65 M = 0.2	E = 1.5 G = 1.5 Dr = 0.65	H = 2 K = 2 D _{ISO} = 1.1	0.15								
6-928918-3	A		ja / YES														
6-928918-2	Z	1-928918-2	ja / YES	0.08-0.22	Au	A = 2.5 B = 3.6 C = 5.6 D = 13.65 M = 0.2	E = 1.5 G = 1.5 Dr = 0.65	H = 2 K = 2 D _{ISO} = 1.1	0.15								
6-928918-1	W	1-928918-1	ja / YES														
5-928918-2	A	928918-2	nein / NO	0.13-0.17	Au	A = 2.5 B = 3.6 C = 5.6 D = 13.65 M = 0.2	E = 1.5 G = 1.5 Dr = 0.65	H = 2 K = 2 D _{ISO} = 1.1	0.15								
5-928918-1	W	928918-1	nein / NO														
2141830-3	A		ja / YES	0.13-0.17	Au	A = 2.5 B = 3.6 C = 5.6 D = 13.65 M = 0.2	E = 1.5 G = 1.5 Dr = 0.65	H = 2 K = 2 D _{ISO} = 1.1	0.15								
2141830-2	A		ja / YES														
2141830-1	A		ja / YES	0.08-0.22	Au	A = 2.5 B = 3.6 C = 5.6 D = 13.65 M = 0.2	E = 1.5 G = 1.5 Dr = 0.65	H = 2 K = 2 D _{ISO} = 1.1	0.15								
6-963716-2	A		nein / NO														
1355719-2	C		ja / YES	0.13-0.17	Au	A = 2.5 B = 3.6 C = 5.6 D = 13.65 M = 0.2	E = 1.5 G = 1.5 Dr = 0.65	H = 2 K = 2 D _{ISO} = 1.1	0.15								
1355719-1	C		ja / YES														

Bemerkungen

- Datumcode (woche/Jahr z.B. KW 38/Jahr2009) und TE-Revision (z.B. Rev.A)
DATE CODE (WEEK/YEAR E.G. WEEK NUMBER 38/YEAR2009) AND TE REVISION (E.G. REV. A)
- Passend zu Buchsenkontakt siehe Zeichnung 929454
SUITABLE FOR SOCKET CONTACT SEE DRAWING 929454
- Einzelheiten der Ausfuehrung bleiben dem Hersteller ueberlassen
DETAILS OF DESIGN ARE LEFT TO MANUFACTURER
- Nur fuer FLR-Leitung nach DIN 72551 Teil 6
FOR FLR-CONDUCTOR ACCORDING TO DIN 72551-6 ONLY
- nicht fuer Neuanwendung
NOT FOR NEW APPLICATION
- zugverstaerkte Leitung nach LV 112-4
REINFORCED WIRE ACCORDING LV 112-4
- Bei doppelt fallenden Werkzeugen wird die erste Ueberfeder mit einer Kennzeichnung "-" versehen
WITH DOUBLE OUT DIES THE FIRST SPRING WILL BE PROVIDED WITH AN INDICATION "-"



THIS DRAWING IS A CONTROLLED DOCUMENT.		OWN: S.Garcia 06JAN1999	TE Connectivity	
DIMENSIONS: mm		CHK: R.Jetter 06JAN1999	NAME: MQS	
TOLERANCES UNLESS OTHERWISE SPECIFIED: ±0.2		APPV: M.Bleicher 13AUG2003	TABLETTE: Tabellenzzeichnung Stiftkontakt TABLE PIN CONTACT	
MATERIAL: -		108-18030 APPLICATION SPEC	SIZE: A1	RESTRICTED TO: -
Customer Drawing		114-18021 / -18025	SCALE: 10:1	SHEET: 1 OF 1
		WEIGHT: -	00779	REV: C21