

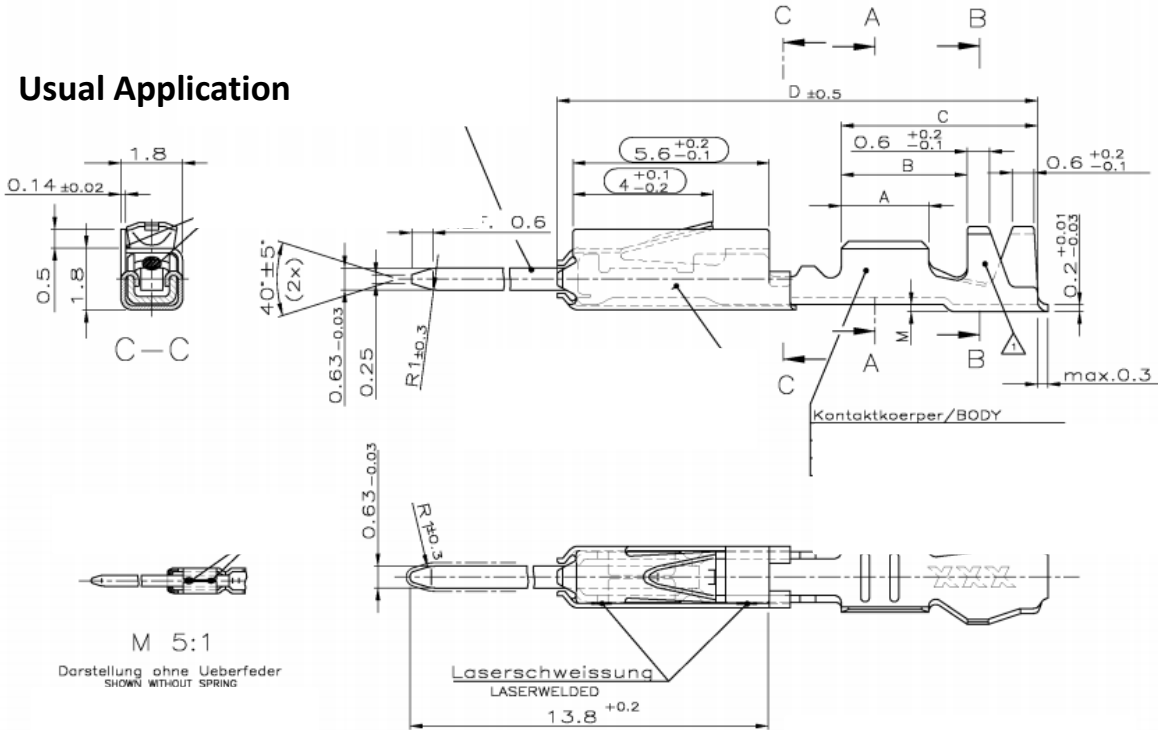
Professionally approved products.

Datasheet

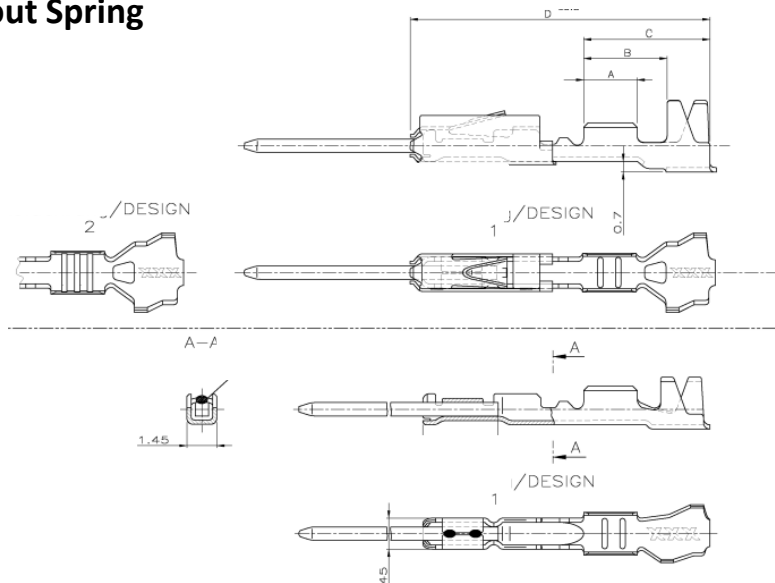
PCB Connector Contact, Male, Crimp, Tin Plating 20 → 24 AWG

RS Stock number [718-1058](#)

Usual Application



Without Spring



Professionally approved products.

Datasheet

Specifications

- Suitable for socket contact
- For FLR-Conductor according to DIN 72551-6 only
- Reeled Version
- Wire Size: 20 →24 AWG
- Contact Plating :Tin
- Gender :Male
- Termination Method: Crimp