

REVISIONS					
P	LTR	DESCRIPTION	DATE	DWN	APVD
	2	Zeichnung Ueberarbeitet	15.08.91	J. LOEWER	-
	3	Zeichnung Ueberarbeitet	13.02.92	Derstroff	-
	D1	Neue Variante	03.04.02	Hassel	Bleicher
	D2	ECR-15-000287	09JAN2015	JBH	M.P.

20

RELEASED FOR PUBLICATION

ALL RIGHTS RESERVED.


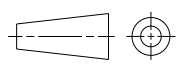
THIS DRAWING IS UNPUBLISHED.

BY -

© COPYRIGHT 20

Customer Drawing
for PN 963768

SEE 2287475

DIMENSIONS: mm TOLERANCES UNLESS OTHERWISE SPECIFIED: n. ISO 8015 n. ISO 2768-mH-E n. DIN 16901-140 0 PLC ± 1 PLC ±0.2mm 2 PLC ± 3 PLC ± 4 PLC ± ANGLES ±	DWN Dangelmaier, M. 08MAY2002	MATERIAL	FINISH		
	CHK Meierhoefer, T. - APVD Bleicher, M. - PRODUCT SPEC - APPLICATION SPEC - WEIGHT -	 TE Connectivity			
NAME 9.5x1.2mm Flachstecker -		SIZE	CAGE CODE	DRAWING NO	RESTRICTED TO
		A 4	00779	©-963768	-
Customer Drawing		SCALE	SHEET	REV	
		5:1	1 OF 1	D2	