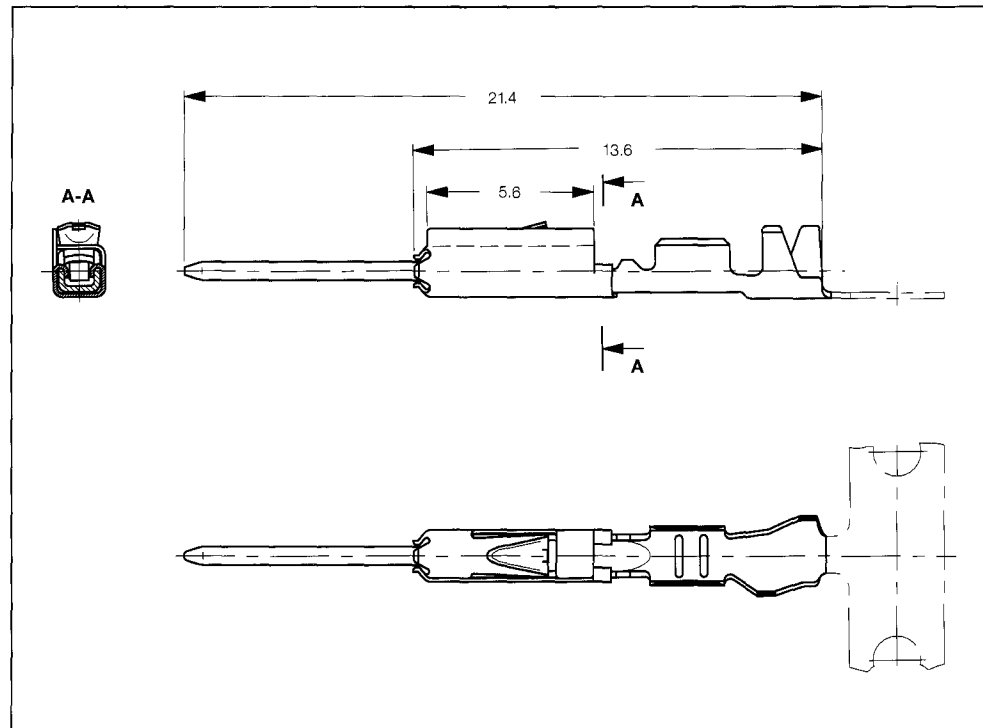


Pin Contacts

**Pin 0.63 x 0.63 mm,  
Mates with  
Micro Quadlok**



**Standard Receptacle Contacts**

Wire Size Range (mm <sup>2</sup> )	Insulation Diameter		Material and Finish	Part Numbers				Applicator		Hand Tool 539635-1 with Die Set
	FLK (mm)	FLR (mm)		Strip Form	Package Quantity	Loose-Piece	Package Quantity	Standard	Fine Adjust	
0.14-0.22	-	0.9-1.2	tin plated	1355719-1	13,000	1355720-1	500	1426402	1528009	5-1579001-2
			gold plated	1355719-2	13,000	1355720-2	500			
0.20-0.50	-	0.9-1.6	tin plated	1-928918-1	13,000	1-963725-1	500	1238043*	1528035*	539682-2
			gold plated	1-928918-2	13,000	2-963725-1	500			
0.50-0.75	-	1.6-1.9	tin plated	963716-1	10,000	963730-1	500	1238051	1528037	3-1579001-5
			gold plated	963716-2	10,000	963730-2	500			

\*) Applicator: Part No. **1426459** and **1528313** for use with 0.2 mm<sup>2</sup> wire

**Single Wire Sealing System**

Wire Size Range (mm <sup>2</sup> )	Insulation Diameter		Material and Finish	Part Numbers				Applicator		Hand Tool 539635-1 with Die Set
	FLK (mm)	FLR (mm)		Strip Form	Package Quantity	Loose-Piece	Package Quantity	Standard	Fine Adjust	
0.20-0.50	-	0.9-1.6	tin plated	962886-1	10,000	963728-1	500	1426108	1528022	539685-2
			gold plated	962886-2	10,000	963728-2	500			
0.50-0.75	-	1.6-1.9	tin plated	965908-1	10,000	965909-1	500	1426123	1528071	5-1579001-1
			gold plated	965908-2	10,000	965909-2	500			

**MQS Flexible Flat Cable (FFC) Pin Contacts**

Wire Size Range (mm <sup>2</sup> )	Insulation Diameter		Material and Finish	Part Numbers				Applicator		Hand Tool
	FLK (mm)	FLR (mm)		Strip Form	Package Quantity	Loose-Piece	Package Quantity	Standard	Fine Adjust	
-	-	-	pre-tin plated	1452128-1	13,000	1452129-1	500	-	-	90273-5

\*) Depending on Foil