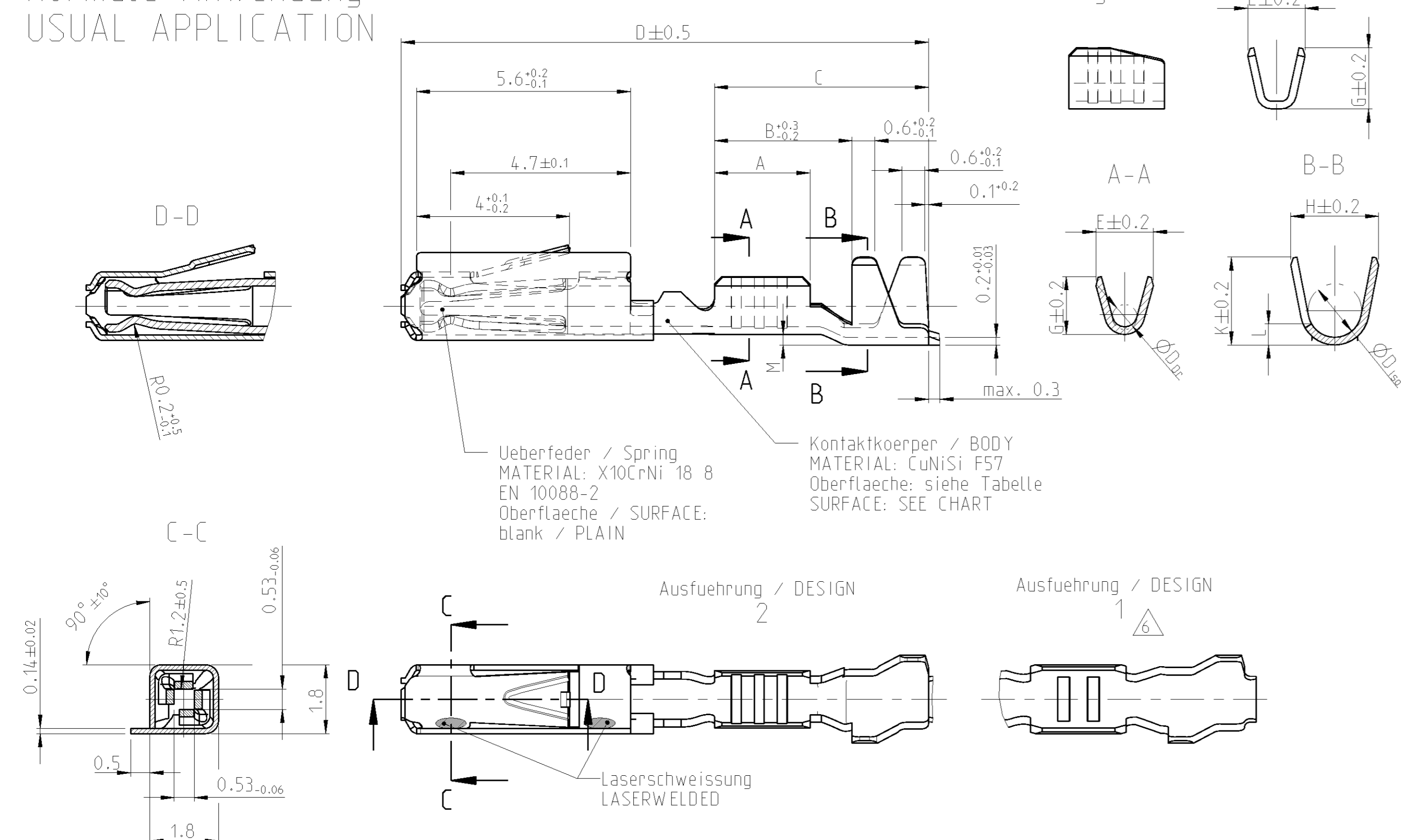
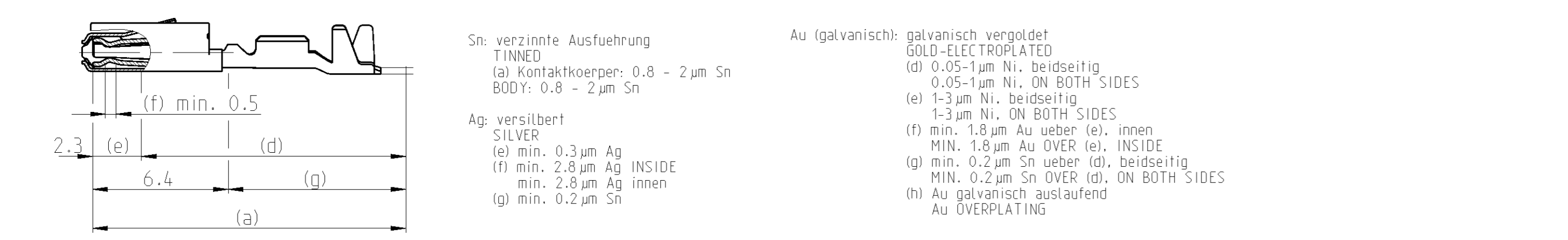


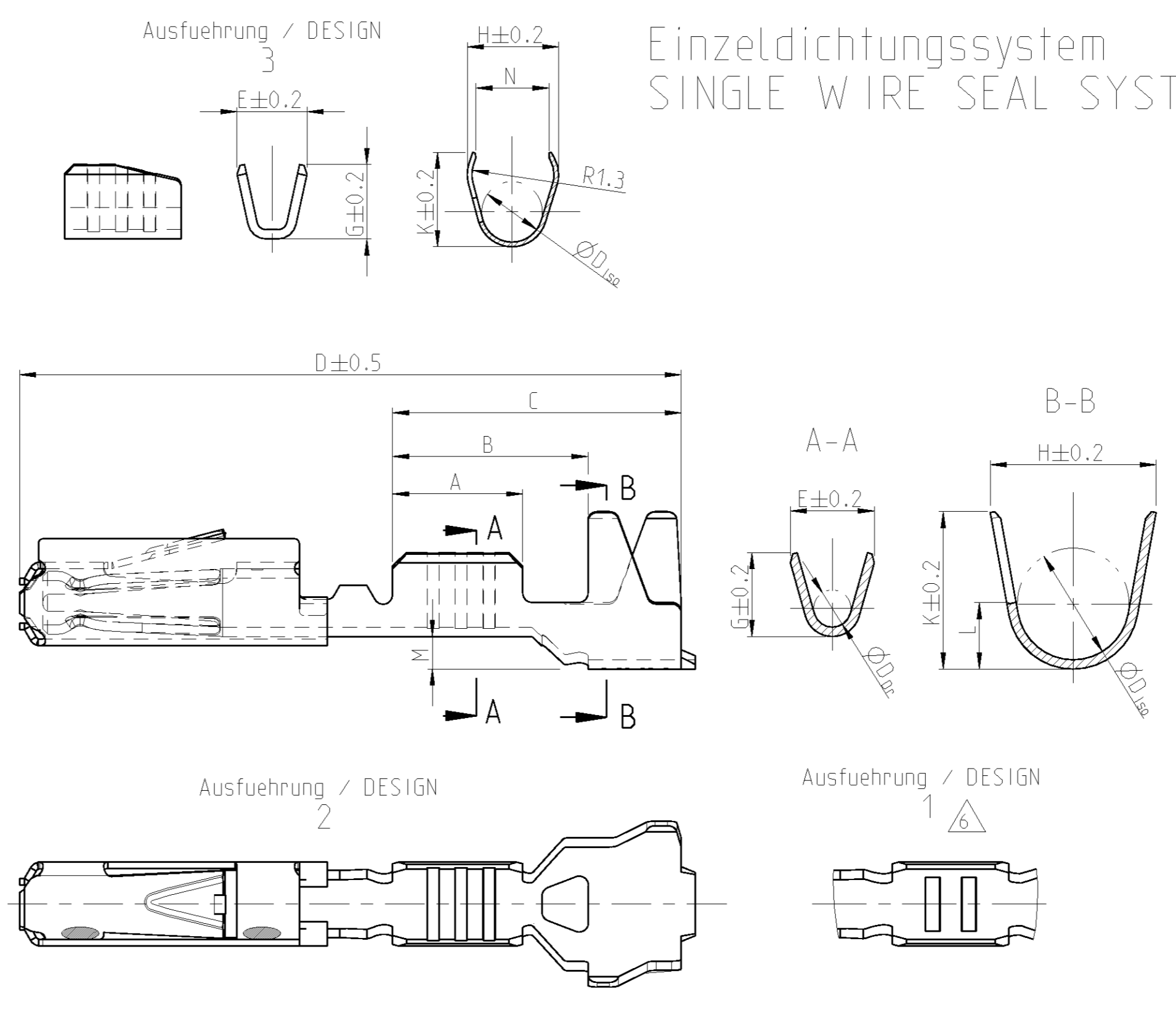
Normale Anwendung  
USUAL APPLICATION



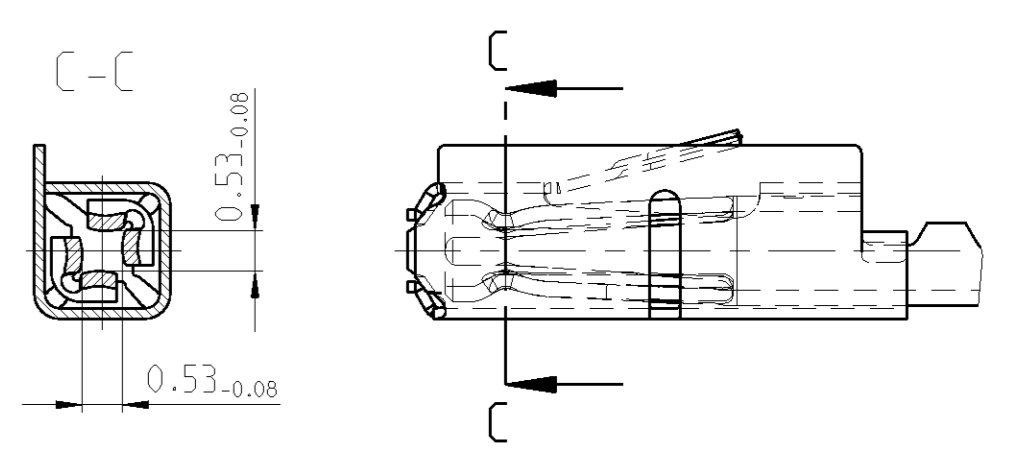
Oberflaeche / FINISH



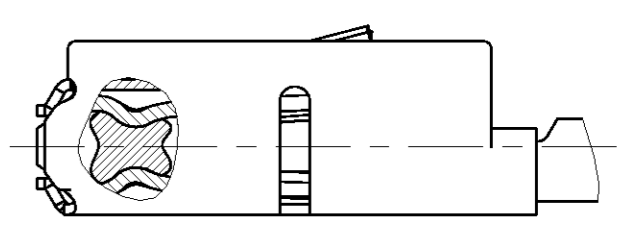
Einzelichtungssystem  
SINGLE WIRE SEAL SYSTEM



vergoldete Ausfuehrung  
GOLD VERSION



GEL VERSION



REV	DATE	DESCRIPTION	BY	CHK
C10	280C12011	ECR-11-008329	Abr	Brun
C11	29JAN2013	ECR-13-001696	Abr	Brun
C12	20AUG2013	ECR-13-013114	Abr	Brun
C13	26SEP2013	ECR-13-015135	Abr	Brun

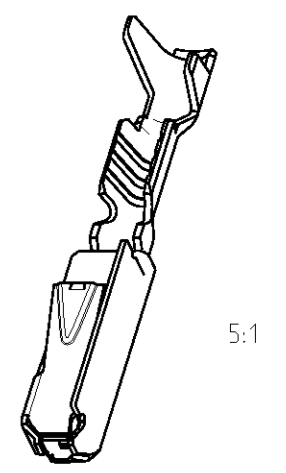
Bemerkungen

- Datumcode (woche/Jahr z.B. KW 38/Jahr2009) und TE-Revision (z.B. Rev.A) DATE CODE (WEEK/YEAR E.G. WEEK NUMBER 38/YEAR2009) AND TE REVISION (E.G. REV. A)
- Passend zu Stifkontakt siehe Zeichnung 929453 SUITABLE FOR PIN CONTACT SEE DRAWING 929453
- Einzelheiten der Ausfuehrung bleiben dem Hersteller ueberlassen DETAILS OF DESIGN ARE LEFT TO MANUFACTURER
- Nur fuer FLR-Leitung nach DIN 72551 Teil 6 FOR FLR-CONDUCTOR ACCORDING TO DIN 72551-6 ONLY
- Fuer Ag Varianten sind keine Laboruntersuchungen verfuegbar deshalb sind diese PN's nicht in der Produktspez. aufgefuehrt. FOR Ag VARIANTS TESTS ARE NOT AVAILABLE. Ag PN'S ARE NOT IN PRODUCTSPEC.
- nicht fuer Neuanwendung NOT FOR NEW APPLICATION
- zugverstaerkte Leitung nach LV 112-4 REINFORCED WIRE ACCORDING LV 112-4



Bestell-Nr. Ausfuehrung ORDER NO. DESIGN	Bestell-Nr. Ausfuehrung ORDER NO. DESIGN	Rev	Bestell-Nr. Ausfuehrung ORDER NO. DESIGN	Rev	VERSION	DGB Wire Size Range mm <sup>2</sup>	Oberflaeche SURFACE	Laenge LENGTH mm	Drahtcrimp WIRE CRIMP mm	Iso-crimp INSU-CRIMP mm	Gewicht WEIGHT g	Verarbeitung Spez. APPLICATION SPEC.	DGB Wire Size Range mm <sup>2</sup>	Isolations Ø INSULATION DIA. mm	fuer Kammer Ø3.45 FOR CAVITY DIA. 3.45 mm	Blindstopfen RUBBER PLUG	fuer Kammer Ø4 FOR CAVITY DIA. 4 mm	Blindstopfen RUBBER PLUG
6-965906-5	5-965906-6	E	1-965906-5	D	Einzelichtungssystem SINGLE WIRE SEAL SYSTEM	0.50-0.75	Au+Gel	A = 2.8 B = 4.2 C = 6.2 D = 14.3 M = 0.7	E = 2 G = 2.1 Dr = 1	H = 3.5 K = 3.4 L = 1.5 D <sub>ISO</sub> = 2.4	0.13	0.75	1.4-1.9	967067-1 gruen GREEN	963142-1 schwarz BLACK	967056-1 blau / BLUE	963142-2 grau GREY	967056-1 blau / BLUE
5-965906-5	5-965906-5	E	965906-5	D														
5-965906-1	5-962885-6	J	962885-6	H														
5-962885-5	5-962885-1	J	962885-1	H														
2141826-6	2141826-5	A	2141826-5	A	normale Anwendung USUAL APPLICATION	0.13 / 0.17	Au	A = 2.5 B = 4.3 C = 6.2 D = 13.7 M = 0.6	E = 1.5 G = 1.4	H = 4 K = 4.1 N = 3.1 D <sub>ISO</sub> = 2.6	0.1	0.13	0.85-1.25	967067-2 gelb YELLOW	963142-2 grau GREY	967056-1 blau / BLUE	963142-2 grau GREY	967056-1 blau / BLUE
2141826-1	2141824-6	A	2141824-5	A														
2141824-1	2141824-5	A	2141824-5	A														
1355717-5	1355717-1	C	1355717-1	C														
6-963715-5	5-963715-6	K	1-963715-5	J	normale Anwendung USUAL APPLICATION	0.50-0.75	Au+Gel	A = 2.8 B = 3.8 C = 5.6 D = 13.7 M = 0.2	E = 2 G = 2.1 Dr = 1	H = 2.7 K = 2.9 L = 0.7 D <sub>ISO</sub> = 1.6	0.11	0.50-0.75	967067-1 gruen GREEN	963142-1 schwarz BLACK	967056-1 blau / BLUE	963142-2 grau GREY	967056-1 blau / BLUE	
5-963715-5	5-963715-1	K	963715-5	J														
5-963715-1	5-928999-5	J	963715-1	H														
5-928999-5	5-928999-6	T	928999-5	S														
5-928999-5	5-928999-1	T	928999-5	S	normale Anwendung USUAL APPLICATION	0.25-0.35	Au	A = 2.5 B = 3.6 C = 5.6 D = 13.7 M = 0.2	E = 1.8 G = 1.8 Dr = 0.8	H = 2.3 K = 2.3 L = 0.6 D <sub>ISO</sub> = 1.4	0.11	0.25-0.35	967067-2 gelb YELLOW	963142-2 grau GREY	967056-1 blau / BLUE	963142-2 grau GREY	967056-1 blau / BLUE	
5-928999-5	5-928999-1	S	928999-1	R														
2141824-6	2141824-5	A	2141824-5	A														
2141824-1	2141824-1	A	2141824-1	A														
1355717-5	1355717-1	C	1355717-1	C	normale Anwendung USUAL APPLICATION	0.13 / 0.17	Au	A = 2.5 B = 3.7 C = 5.4 D = 13.7 M = 0	E = 1.5 G = 1.4	H = 2 K = 1.9 D <sub>ISO</sub> = 1.1	0.1	0.13 / 0.17	967067-2 gelb YELLOW	963142-2 grau GREY	967056-1 blau / BLUE	963142-2 grau GREY	967056-1 blau / BLUE	
1355717-5	1355717-1	C	1355717-1	C														
1355717-5	1355717-1	C	1355717-1	C														
1355717-1	1355717-1	C	1355717-1	C														
6-963715-5	5-963715-6	K	1-963715-5	J	normale Anwendung USUAL APPLICATION	0.50-0.75	Au+Gel	A = 2.8 B = 3.8 C = 5.6 D = 13.7 M = 0.2	E = 2 G = 2.1 Dr = 1	H = 2.7 K = 2.9 L = 0.7 D <sub>ISO</sub> = 1.6	0.11	0.50-0.75	967067-1 gruen GREEN	963142-1 schwarz BLACK	967056-1 blau / BLUE	963142-2 grau GREY	967056-1 blau / BLUE	
5-963715-5	5-963715-1	K	963715-5	J														
5-963715-1	5-928999-5	J	963715-1	H														
5-928999-5	5-928999-6	T	928999-5	S														
5-928999-5	5-928999-1	T	928999-5	S	normale Anwendung USUAL APPLICATION	0.25-0.35	Au	A = 2.5 B = 3.6 C = 5.6 D = 13.7 M = 0.2	E = 1.8 G = 1.8 Dr = 0.8	H = 2.3 K = 2.3 L = 0.6 D <sub>ISO</sub> = 1.4	0.11	0.25-0.35	967067-2 gelb YELLOW	963142-2 grau GREY	967056-1 blau / BLUE	963142-2 grau GREY	967056-1 blau / BLUE	
5-928999-5	5-928999-1	S	928999-1	R														
2141824-6	2141824-5	A	2141824-5	A														
2141824-1	2141824-1	A	2141824-1	A														
1355717-5	1355717-1	C	1355717-1	C	normale Anwendung USUAL APPLICATION	0.08-0.22	Au	A = 2.5 B = 3.7 C = 5.4 D = 13.7 M = 0	E = 1.5 G = 1.5 Dr = 0.65	H = 2 K = 2 D <sub>ISO</sub> = 1.1	0.1	0.08-0.22	967067-2 gelb YELLOW	963142-2 grau GREY	967056-1 blau / BLUE	963142-2 grau GREY	967056-1 blau / BLUE	
1355717-5	1355717-1	C	1355717-1	C														
1355717-5	1355717-1	C	1355717-1	C														
1355717-1	1355717-1	C	1355717-1	C														

zugehoerige Einzelichtung / SUITABLE SINGLE WIRE SEAL



THIS DRAWING IS A CONTROLLED DOCUMENT.		OWN: S.Garcia 05JAN1999	TE Connectivity	
DIMENSIONS: mm		CHK: R.Jetter 05JAN1999	NAME: MOS	
TOLERANCES UNLESS OTHERWISE SPECIFIED: ±0.2		APPV: M.Bleicher 13AUG2003	TABLETTEICHNUNG Buchsenkontakt	
MATERIAL: -		PRODUCT SPEC: 108-18030	TABLE SOCKET CONTACT	
FINISH: -		APPLICATION SPEC: 114-18021 / 114-18025	SIZE: A1	
Customer Drawing		WEIGHT: -	SCALE: 10:1	
		Customer Drawing	SHEET 1 of 1	
		Customer Drawing	REV: C13	