

Receptacle Contacts

Technical Features

Contact Material:

CuSn, CuFe, CuNiSi
Cantilever Spring: Stainless Steel

Contact Finish:

pre-tin plated,
gold plated

Wire Size Range:

0.2–0.5 mm² (FLR)
0.5–1.0 mm² (FLR)
1.5 mm² (FLR)

Contact Resistance

(New State):

CuSn: <5 mΩ
CuFe: <4 mΩ

Total Temperature max.:

–40 °C to +120 °C (tin plated)
–40 °C to +140 °C (gold plated)

Mating Cycles:

10 (tin plated)
100 (gold plated)

Insertion Force:

max. 4 N
(proof tab 0.6 mm thick)

Extraction Force:

min. 2 N
(proof tab 0.6 mm thick)

Retention Force

(from Housing):

– without second locking device
>25 N
– second locking device only
>100 N
depends on housing material

Dimensions of Male Contacts:

1.6 mm x 0.6 mm

Modular Dimensions:

3.25 mm x 4.0 mm (smallest)

Version in Single Seal:

4.0 mm x 4.0 mm (smallest)

Extraction Tool:

Part No. **726534-1**

Product Group Drawing

Micro Timer II:

1355045

Product Group Drawing

Micro Timer III:

1241916

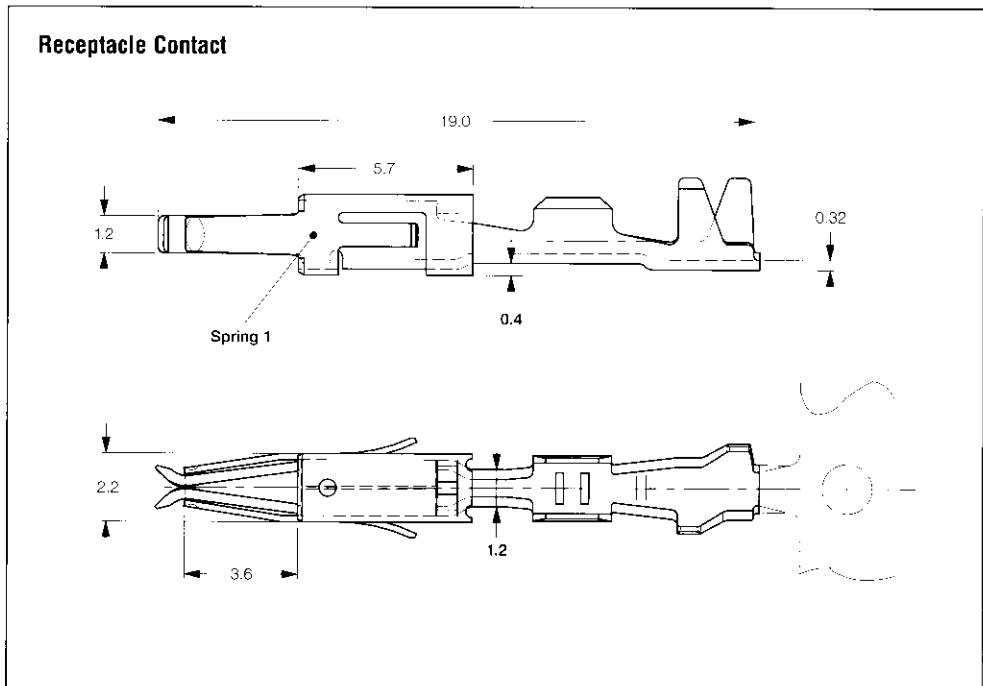
Product Specification:

108-18055

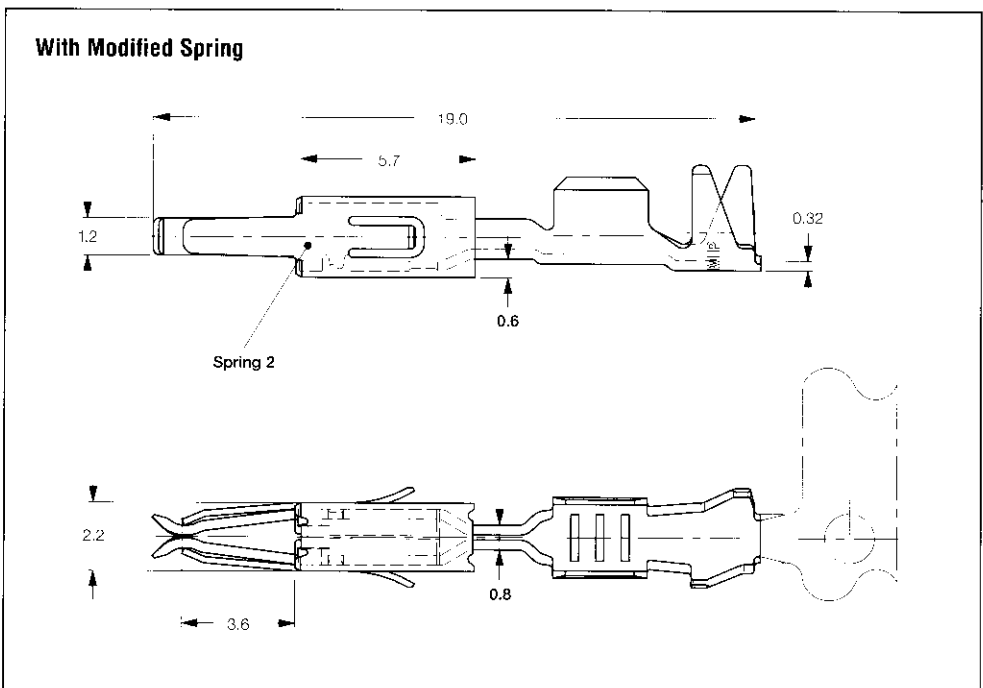
Application Specification:

114-18081

Receptacle Contact



With Modified Spring



Max. Current in 68 Positions Housing

Material	Temperature (°C)	Current Carrying Capacity (Ampere)		
		0.35 mm ²	0.50 mm ²	0.75 mm ²
CuSn	20	3.0	5.0	8.0
	90	1.5	2.0	4.0
CuFe	20	4.0	6.0	10.0
	90	1.5	2.5	5.0