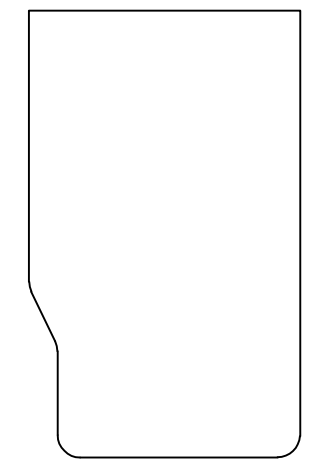
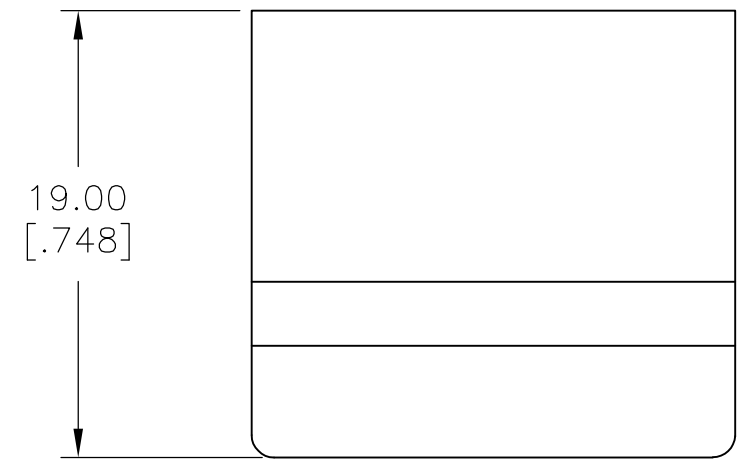
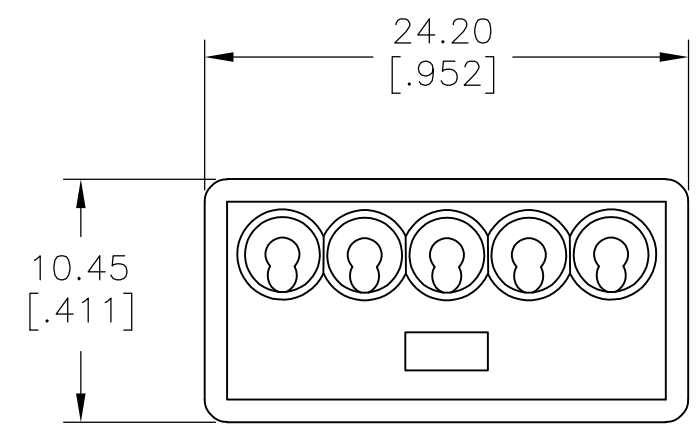


THIS DRAWING IS UNPUBLISHED. RELEASED FOR PUBLICATION
 © COPYRIGHT - By - ALL RIGHTS RESERVED.

LOC		DIST		REVISIONS			
P	LTR	DESCRIPTION		DATE	DWN	APVD	
	A	NEW DRAWING		03OCT2015	NK	RH	



- HOUSING MATERIAL : POLYCARBONATE (PC), FLAME-RETARDANT TO UL 94-V0
- VOLTAGE : 600V(UL), 450V(IEC)
- CURRENT : 24A(IEC)
- WORKING TEMPERATURE : T110(IEC), 105°C(UL)
- WIRE RANGE : 22-12 AWG, SOL/STR Cu(UL), 0.5-2.5mm²(VDE)
- STRIPPING LENGTH : 11.0[.43]

2299517-1 AS SHOWN

THIS DRAWING IS A CONTROLLED DOCUMENT.		DWN	03OCT2015	STE TE Connectivity		
		CHK	03OCT2015			
DIMENSIONS: mm [INCHES]		TOLERANCES UNLESS OTHERWISE SPECIFIED:		NAME		
		0 PLC	± -	CPGI-WC-PG-5-PORT-BULK		
		1 PLC	± 0.2[.008]	SIZE		
		2 PLC	± 0.40[.016]	CAGE CODE		
		3 PLC	± -	DRAWING NO		
		4 PLC	± -	RESTRICTED TO		
		ANGLES	± -	A3 00779 C-2299517		
MATERIAL		FINISH		SCALE		
-		-		1:1		
CUSTOMER DRAWING				SHEET		REV
				1 OF 1		A