

NC6-P107-12 Product Details



NC6-P107-12

TE Internal Number: 1-1437664-7



Barrier Strips

 Always EU RoHS/ELV Compliant (Statement of Compliance)

Product Highlights:

- Barrier Strip
- Barrier Style = Single Row, Dual Barrier
- Block Style = Flat
- 9.53 mm Centerline
- Vertical Mount Angle

Documentation & Additional Information

Product Drawings:

- [NC6-P107-XX ASSEMBLY](#) (PDF, English)

Catalog Pages/Data Sheets:

- [1-1773458-2_BARRIER_STRIPS_QUICK_REFERENCE_GUIDE](#) (PDF, English)
- [BUCHANAN TERMINAL BLOCKS CATALOG - BARRIER STRIPS](#) (PDF, English)

Product Specifications:

- None Available

Application Specifications:

- None Available

Instruction Sheets:

- None Available

CAD Files: (CAD Format & Compression Information)

- [2D Drawing](#) (DXF, Version O1)
- [3D Model](#) (IGES, Version O1)
- [3D Model](#) (STEP, Version O1)

Additional Information:

- [Product Line Information](#)

Related Products:

- [Tooling](#)

Product Features (Please use the Product Drawing for all design activity)

Product Type Features:

- [Product Type](#) = Barrier Strip
- [Block Style](#) = Flat
- [Mount Angle](#) = Vertical
- [Profile](#) = Low
- [Mounting Insert](#) = Without

Mechanical Attachment:

- [Mounting Options](#) = None
- [Mounting Bushing](#) = With
- [Mounting Style](#) = Direct (All Positions Filled)
- [Mounting Ears](#) = Without

Electrical Characteristics:

- [Top Hardware](#) = Binding Combo Head

Termination Features:

- [Terminal Plating](#) = Bright Tin

Body Features:

- [Barrier Style](#) = Single Row, Dual Barrier
- [Terminal Style](#) = Printed Circuit Pin 4.60 [.181]
- [Screw Material](#) = Steel
- [Screw Plating](#) = Zinc Chromate
- [Terminal Material](#) = Copper Alloy

Housing Features:

- [Centerline \(in \[mm\]\)](#) = 0.375 [9.53]

Configuration Features:

- [Number of Positions](#) = 12
- [Number of Levels](#) = Single
- [Screw Head Type](#) = Combo Phil-Slot

Industry Standards:

- [RoHS/ELV Compliance](#) = RoHS compliant, ELV compliant
- [Lead Free Solder Processes](#) = Wave solder capable to 260°C, Wave solder capable to 240°C, Wave solder capable to 265°C
- [RoHS/ELV Compliance History](#) = Always was RoHS compliant

Other:

- [Brand](#) = Buchanan
- [Comment](#) = Other options available upon request, consult our Product Information Center.

THIS DRAWING IS UNPUBLISHED. RELEASED FOR PUBLICATION
 © COPYRIGHT - By - ALL RIGHTS RESERVED.

LOC	DIST	REVISIONS					
FT	0	P	LTR	DESCRIPTION	DATE	DWN	APVD
		B1		REVISED PER ECO-11-004587	11MAR11	RK	HMR

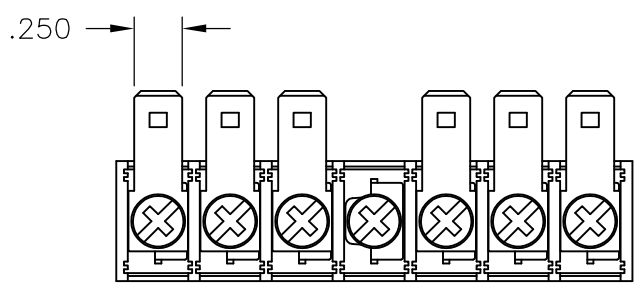
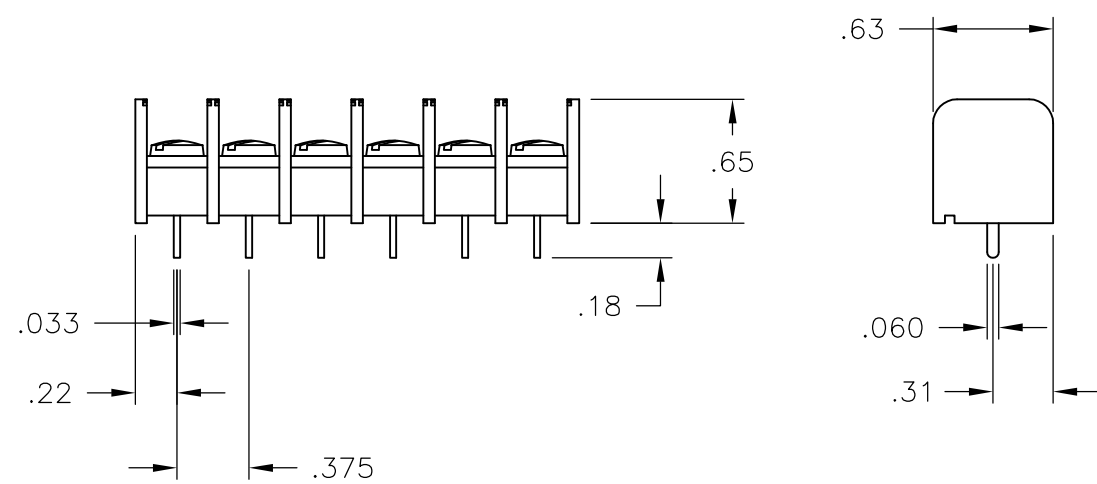
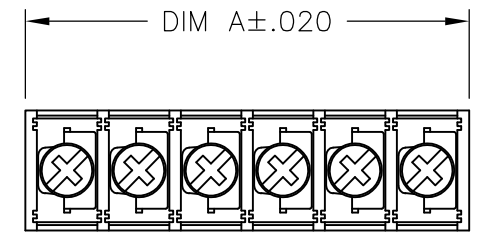
MATERIALS:
 HOUSING: POLYAMIDE, UL94V-0, BLACK.
 TERMINALS: COPPER ALLOY, TIN PLATED.
 SCREWS: STEEL, ZINC PLATED, UNLESS OTHERWISE STATED.

ELECTRICAL:
 RATING: 20A, UL & CSA.

MECHANICAL:
 WIRE RANGE: 12-22 AWG.
 MAXIMUM TIGHTENING TORQUE: 7 IN-LBS.

ENVIRONMENTAL:
 CONTINUOUS OPERATING TEMP.: -40°C TO +105°C

- ① PRELIMINARY PART NUMBER.
- ② SCREWS ARE NICKEL PLATED BRASS.



1546834-6

DIM A	NO OF POS	CATALOG NUMBER	PART NUMBER
9.059	24	NC6-P107-24	2-1437664-7
8.684	23	NC6-P107-23	1546834-4
8.309	22	NC6-P107-22	2-1437664-6
7.934	21	NC6-P107-21	1546834-3
7.559	20	NC6-P107-20	2-1437664-5
7.184	19	NC6-P107-19	1546834-2
6.809	18	NC6-P107-18	1546834-1
6.434	17	NC6-P107-17	2-1437664-3
6.059	16	NC6-P107-16	2-1437664-2
5.684	15	NC6-P107-15	2-1437664-1
5.309	14	NC6-P107-14	2-1437664-0
4.934	13	NC6-P107-13	1-1437664-8
①② 4.559	12	NC6-P105-12	1-1546834-0
①② 4.559	12	NC6-P107-12	1-1437664-7
①② 4.184	11	NC6-P105-11	1546834-9
①② 4.184	11	NC6-P107-11	1-1437664-6
①② 3.809	10	NC6-P105-10	1546834-8
①② 3.809	10	NC6-P107-10	1-1437664-4
①② 3.434	9	NC6-P107-09	1-1437664-3
①② 3.059	8	NC6-P105-08	1546834-7
①② 3.059	8	NC6-P107-08	1-1437664-1
① 2.684	7	NC6-P107-07-060	1546834-6
① 2.684	7	NC6-P107-07	1-1437664-0
2.309	6	NC6-P107-06	1437664-9
1.934	5	NC6-P107-05	1437664-7
1.559	4	NC6-P107-04	1437664-6
1.184	3	NC6-P107-03	1437664-5
.809	2	NC6-P107-02	1437664-4

THIS DRAWING IS A CONTROLLED DOCUMENT.		DWN S SCHLEGEL 8/17/04	TE Connectivity	
DIMENSIONS: INCHES		CHK S YODER 8/17/04		
TOLERANCES UNLESS OTHERWISE SPECIFIED:		APVD S YODER 8/17/04	NAME	
0 PLC ± -		PRODUCT SPEC	NC6-P107-XX ASSEMBLY	
1 PLC ± -		APPLICATION SPEC	RESTRICTED TO	
2 PLC ± .02		WEIGHT -	SIZE A3	CAGE CODE 00779
3 PLC ± .010		CUSTOMER DRAWING	DRAWING NO C-1437664-4	REV B1
4 PLC ± -		SCALE NTS	SHEET 1 OF 1	
ANGLES ± -				
FINISH -				