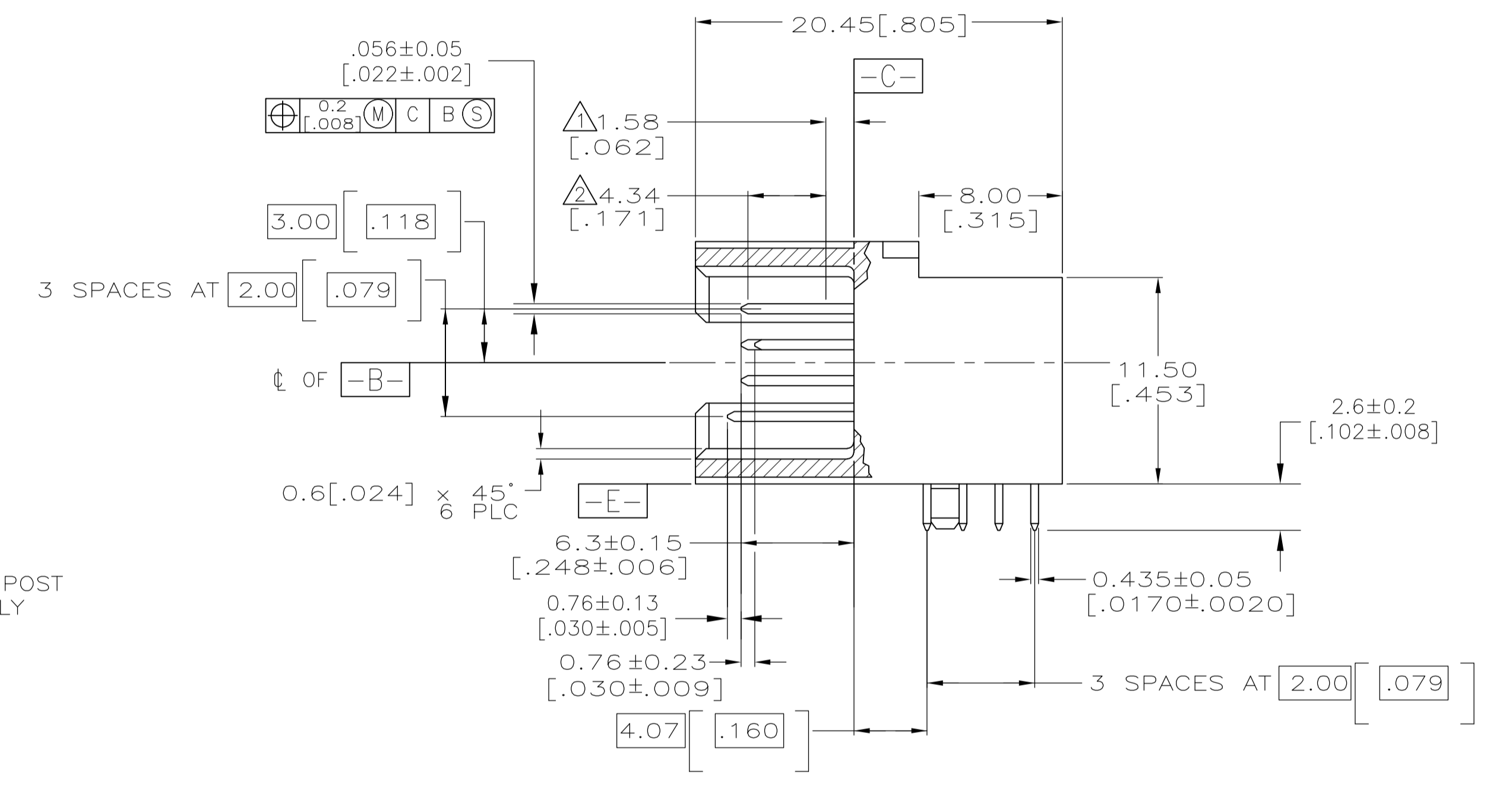
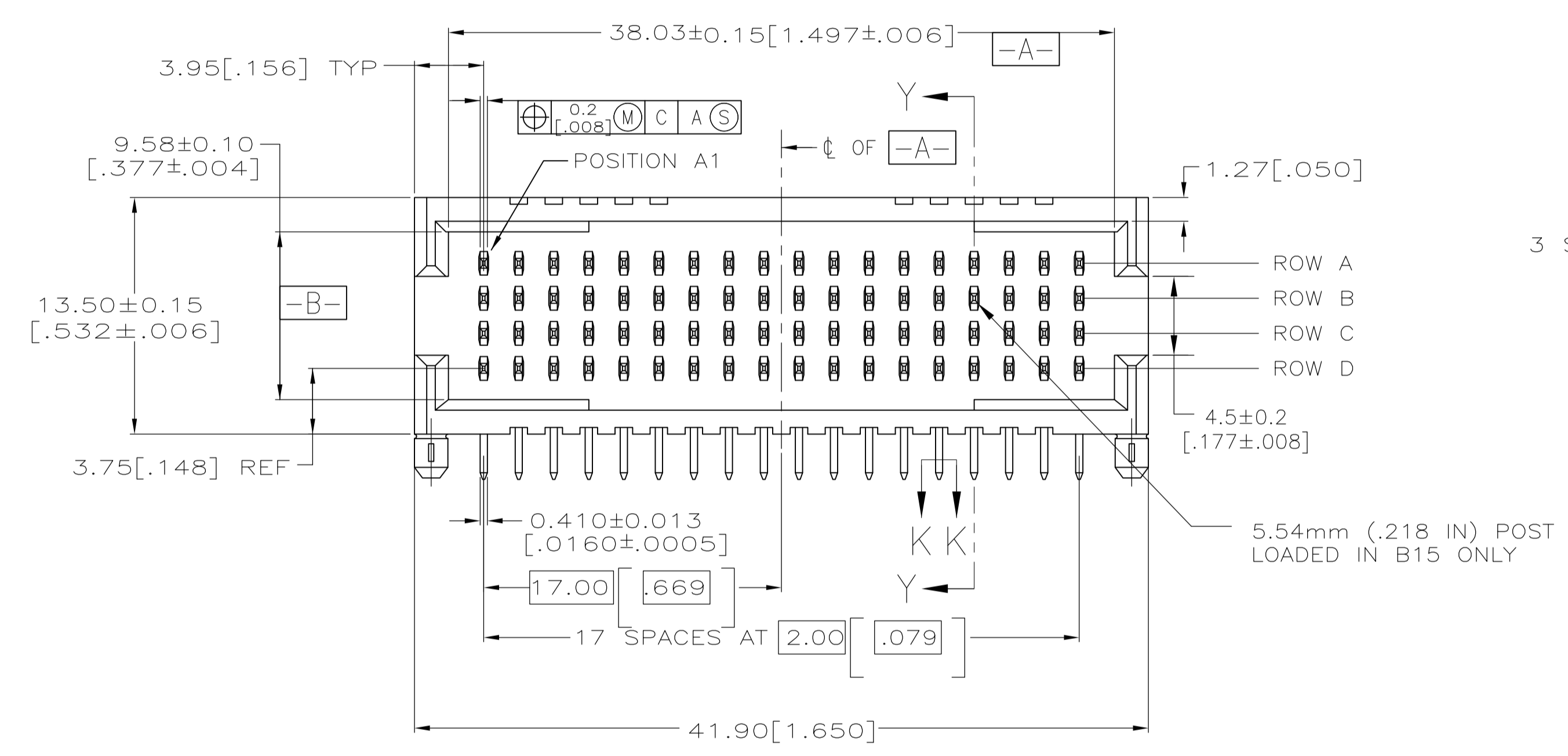
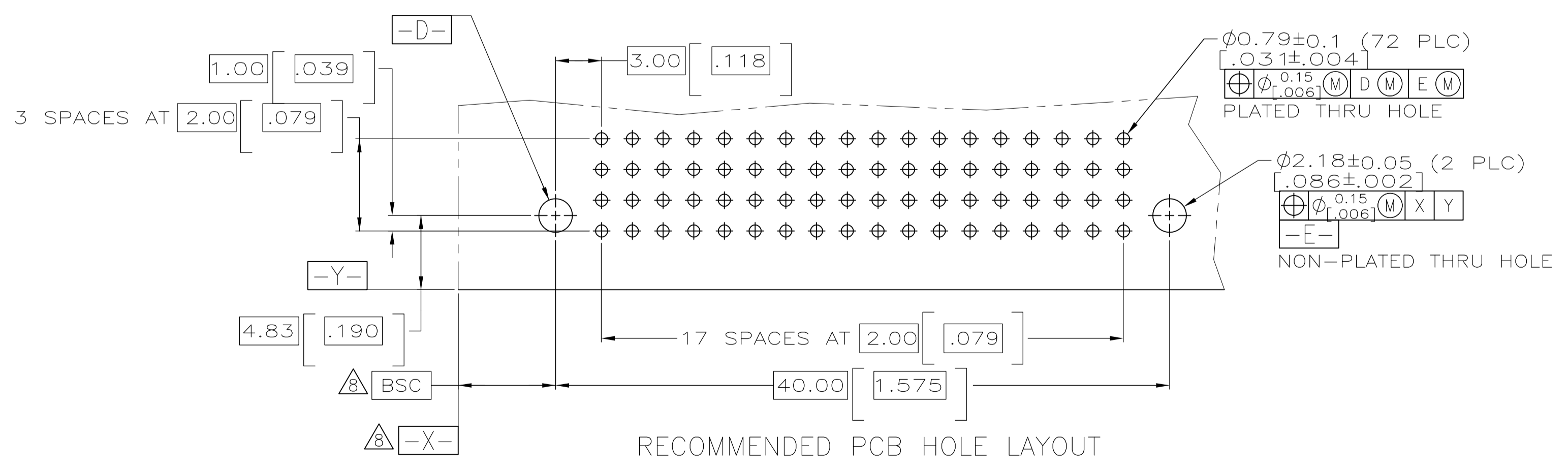


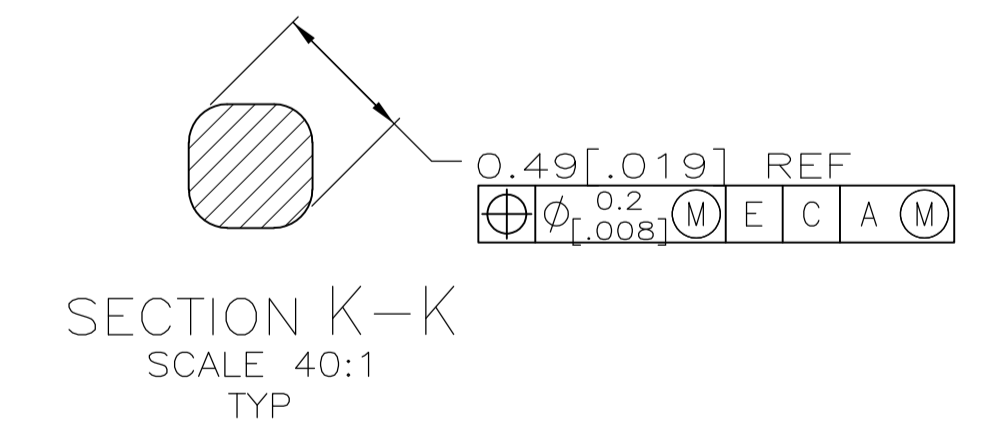
- △ DISTANCE TO INTERFACE; REFERENCE ONLY.
- △ NOMINAL WIPE EXCLUDING POST TIP; REFERENCE ONLY.
- △ HOUSING MATERIAL: LIQUID CRYSTAL POLYMER. COLOR: BLACK.
- △ CONTACT MATERIAL: PHOSPHOR BRONZE.
- △ CONTACT FINISH: 0.00076 [0.000030] MINIMUM GOLD OVER 0.00127 [0.000050] MINIMUM NICKEL IN CONTACT AREA. 0.00381 [0.000151] MINIMUM TIN ON SOLDER TAILS.
- △ MARKED WITH TE PART NUMBER & DATE CODE IN APPROXIMATE AREA SHOWN.



SECTION Y-Y



RECOMMENDED PCB HOLE LAYOUT



SECTION K-K  
SCALE 40:1  
TYP

NONE	NONE	1-18	D	18	148510-1
NONE	1-18	NONE	C	18	
15	1-14, 16-18	NONE	B	18	
NONE	1-18	NONE	A	18	
POSITIONS LOADED WITH 5.54 [0.218] POST	POSITIONS LOADED WITH 6.30 [0.248] POST	POSITIONS LOADED WITH 7.06 [0.278] POST	ROWS	NO. OF LOADED POSITIONS	PART NUMBER

THIS DRAWING IS A CONTROLLED DOCUMENT.

DIMENSIONS: mm	TOLERANCES UNLESS OTHERWISE SPECIFIED:	DWN T. SHUEY 10-5-98	Tyco Electronics Corporation Harrisburg, Pa 17105-3608
0 PLC ± - 1 PLC ± - 2 PLC ± 0.13 [0.005] 3 PLC ± - 4 PLC ± - ANGLES ± 2° FINISH	0.031 ± 0.004 0.086 ± 0.002 0.15 [0.006]	CHK R. PATTERSON 10-7-98 APD R. PATTERSON 10-7-98 NAME R. PATTERSON PRODUCT SPEC APPLICATION SPEC SIZE A1 CAGE CODE 00779 DRAWING NO. 148510 RESTRICTED TO	
MATERIAL	FINISH	WEIGHT	CUSTOMER DRAWING SCALE 4:1 SHEET 1 of 1 REV G