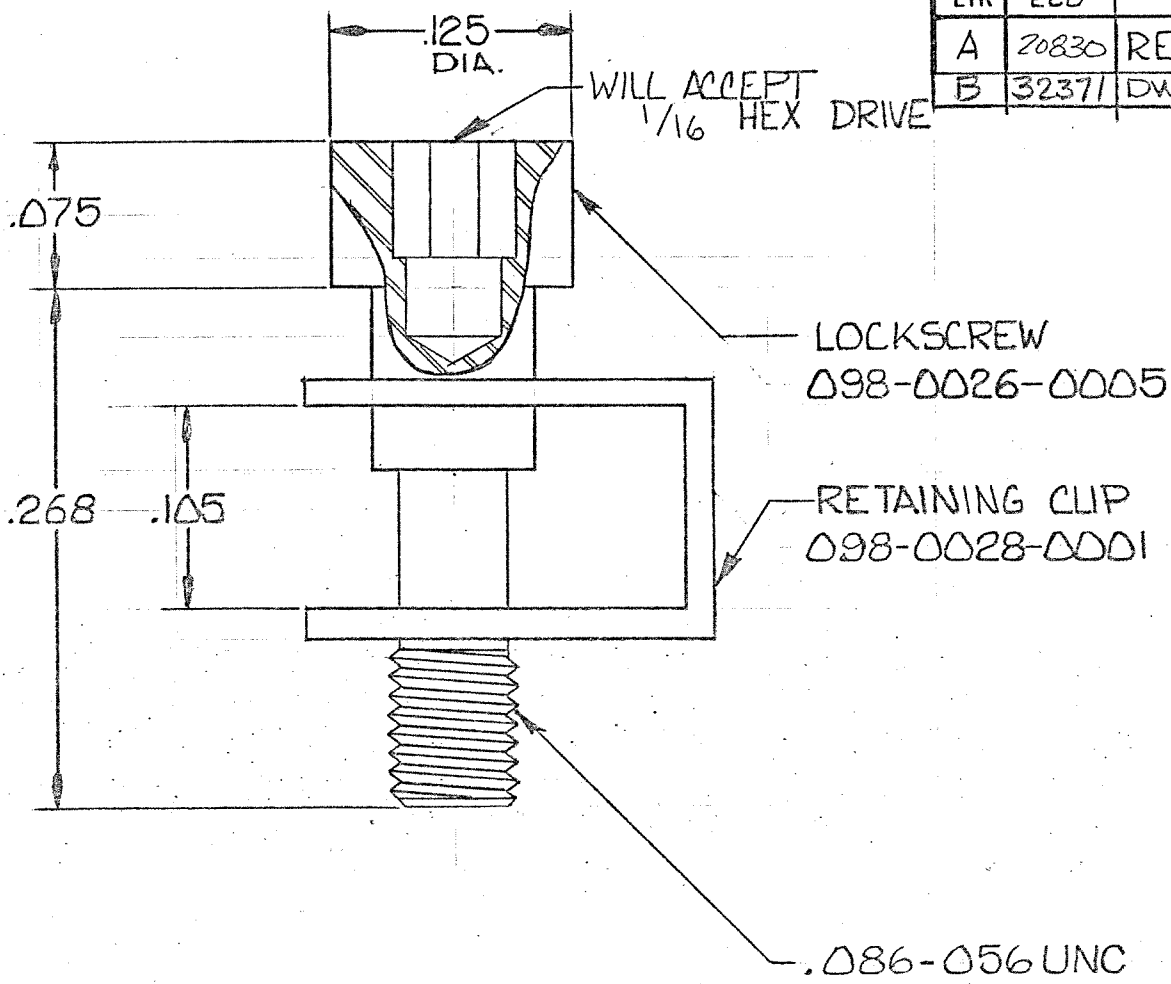



REVISIONS				
LTR	ECO	DESCRIPTION	DATE	APPROVED
A	20830	RELEASED 2-9-76 DWH	3-30-76	<i>MD</i>
B	32371	DWG. WAS CD.	09/10/18	<i>LG</i>



Tyco Dwg 1495164
Micro P/N 096-0002-0013

UNLESS OTHERWISE SPECIFIED DIMENSIONS ARE IN INCHES TOLERANCES ARE: FRACTIONS DECIMALS ANGLES ± .XX ± .02 ± .XXX ± .010	CONTRACT NO.		 MALCO A MICRODOT COMPANY, INC. 220 PASADENA AVE., SO. PASADENA, CALIF. 91030	LOCKSCREW ASSEMBLY (ALLEN HEAD)	PROD. CODE <i>834</i>	
	APPROVALS				DATE	CODE CDM
	DRAWN <i>DAVID HOOPER</i>	<i>MD</i>				
	CHECKED <i>M. JAROWSKI</i>	<i>3.29.76</i>				
MATERIAL	FINISH		SIZE A	CODE IDENT NO. 98278	DRAWING NO. <i>096-0002-0013</i>	
USED ON	APPLICATION		SCALE <i>NONE</i>		SHEET 1 OF 1	
DO NOT SCALE DRAWING		<small>These drawings and specifications are the property of Microdot Inc., are issued in strict confidence and shall not be divulged, be reproduced or copied, or used as the basis for the manufacture or sale of any article without written permission of Microdot Inc.</small>				