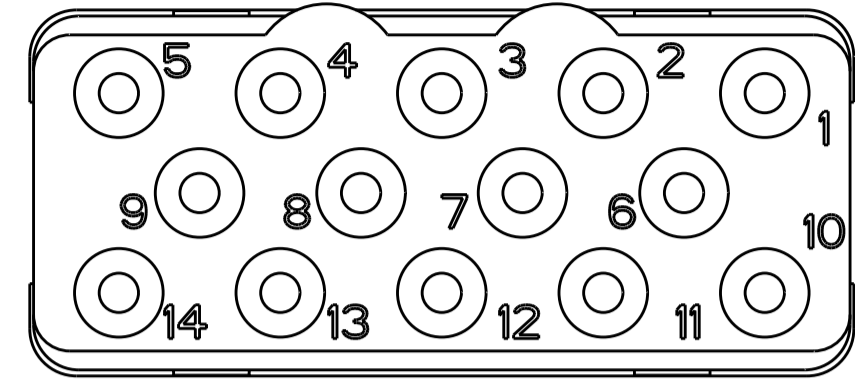
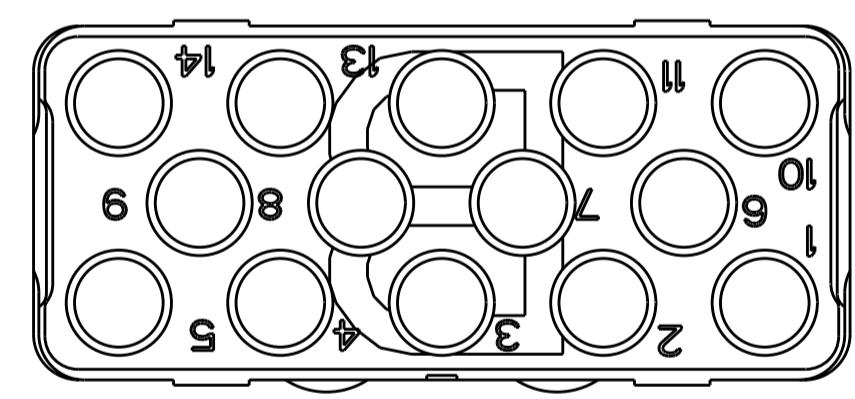
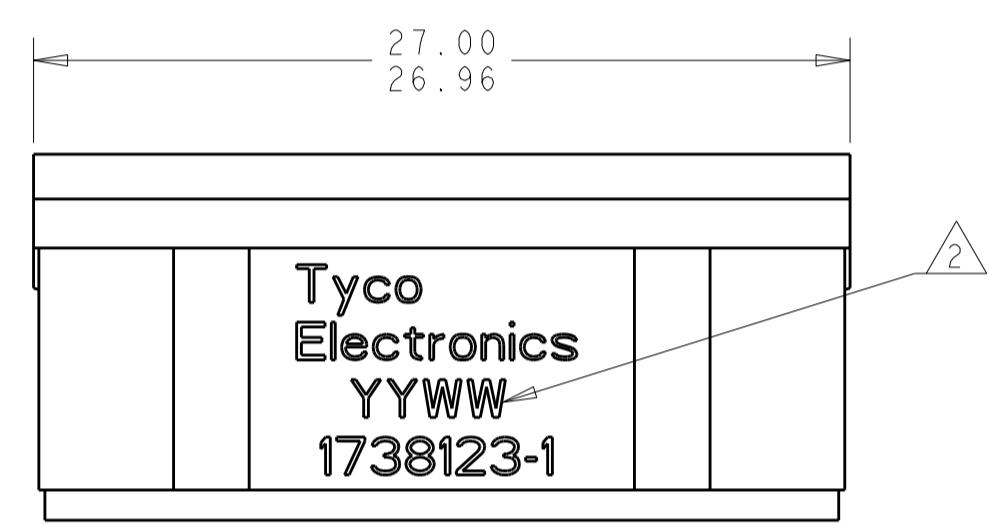
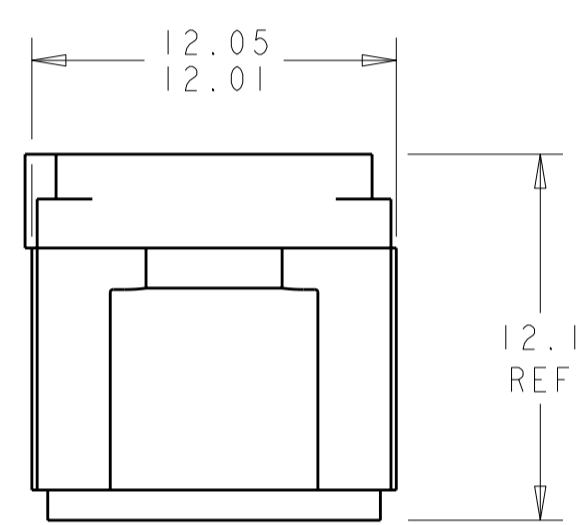


THIS DRAWING IS UNPUBLISHED. RELEASED FOR PUBLICATION 2009  
 © COPYRIGHT 2009 BY TYCO ELECTRONICS CORPORATION. ALL INTERNATIONAL RIGHTS RESERVED.

| LOC | DIST | REVISIONS |     |                  |           |     |      |
|-----|------|-----------|-----|------------------|-----------|-----|------|
| DF  | A5   | P         | LTR | DESCRIPTION      | DATE      | DWN | APVD |
|     |      | 1         |     | REDRAWN IN PRO/E | 05MAY2010 | RF  | JM   |
|     |      |           |     |                  |           |     |      |
|     |      |           |     |                  |           |     |      |



MATING FACE



- 1 FRONT & REAR INSULATOR: HIGH-TEMP THERMOPLASTIC OR THERMOSET EPOXY PER ASTM D5948. CONTACT RETENTION CLIPS: STAINLESS STEEL PER AISI 302 OR COPPER ALLOY PER ASTM B194
- 2 DATE CODE: YEAR & WEEK (YY WW)
- 3 DESCRIPTIVE PART NUMBER GPRBNI4PB  
THIS INSERT CONTAINS: 14 CAVITIES FOR SIZE 16 PIN CONTACTS
- 4 THIS PRODUCT IS SOLD BY TYCO ELECTRONICS UNDER A LICENSE FROM RADIALL SA.

THIS PRINT IS  
**PRELIMINARY**  
 UNQUALIFIED PRODUCT  
 CONTACT PRODUCT ENGINEERING  
 BEFORE USING THIS PRINT

1738123-1  
 PART NUMBER

|   |  |                  |         |  |           |
|---|--|------------------|---------|--|-----------|
| THIS DRAWING IS A CONTROLLED DOCUMENT FOR TYCO ELECTRONICS CORPORATION. IT IS SUBJECT TO CHANGE AND THE CONTROLLING ENGINEERING ORGANIZATION SHOULD BE CONTACTED FOR THE LATEST REVISION. |  | DWN<br>BH        | 05MAY10 | Tyco Electronics<br>Harrisburg, PA 17105-3608  |           |
| DIMENSIONS:<br>mm   |  | CHK<br>JPM       | 05MAY10 | <b>PRELIMINARY</b><br>INSERT ASSEMBLY, PIN,<br>ARRANGEMENT 14,<br>NON-ENVIRONMENTAL, KEY B, GPRB |           |
| TOLERANCES UNLESS OTHERWISE SPECIFIED:<br>0 PLC ±-<br>1 PLC ±0.1<br>2 PLC ±0.05<br>3 PLC ±-<br>4 PLC ±-<br>ANGLES ±-<br>FINISH  |  | APVD<br>JPM      | 05MAY10 |  |           |
| MATERIAL  |  | PRODUCT SPEC     |         | SIZE   | CAGE CODE |
| 1   |  | APPLICATION SPEC |         | A2   | 00779     |
|   |  | WEIGHT           |         | DRAWING NO   |           |
|   |  | CUSTOMER DRAWING |         | C-1738123  |           |
|   |  | SCALE            |         | RESTRICTED TO  |           |
|   |  | 6:1              |         | -  |           |
|   |  | SHEET            |         | REV  |           |
|   |  | OF               |         |  |           |