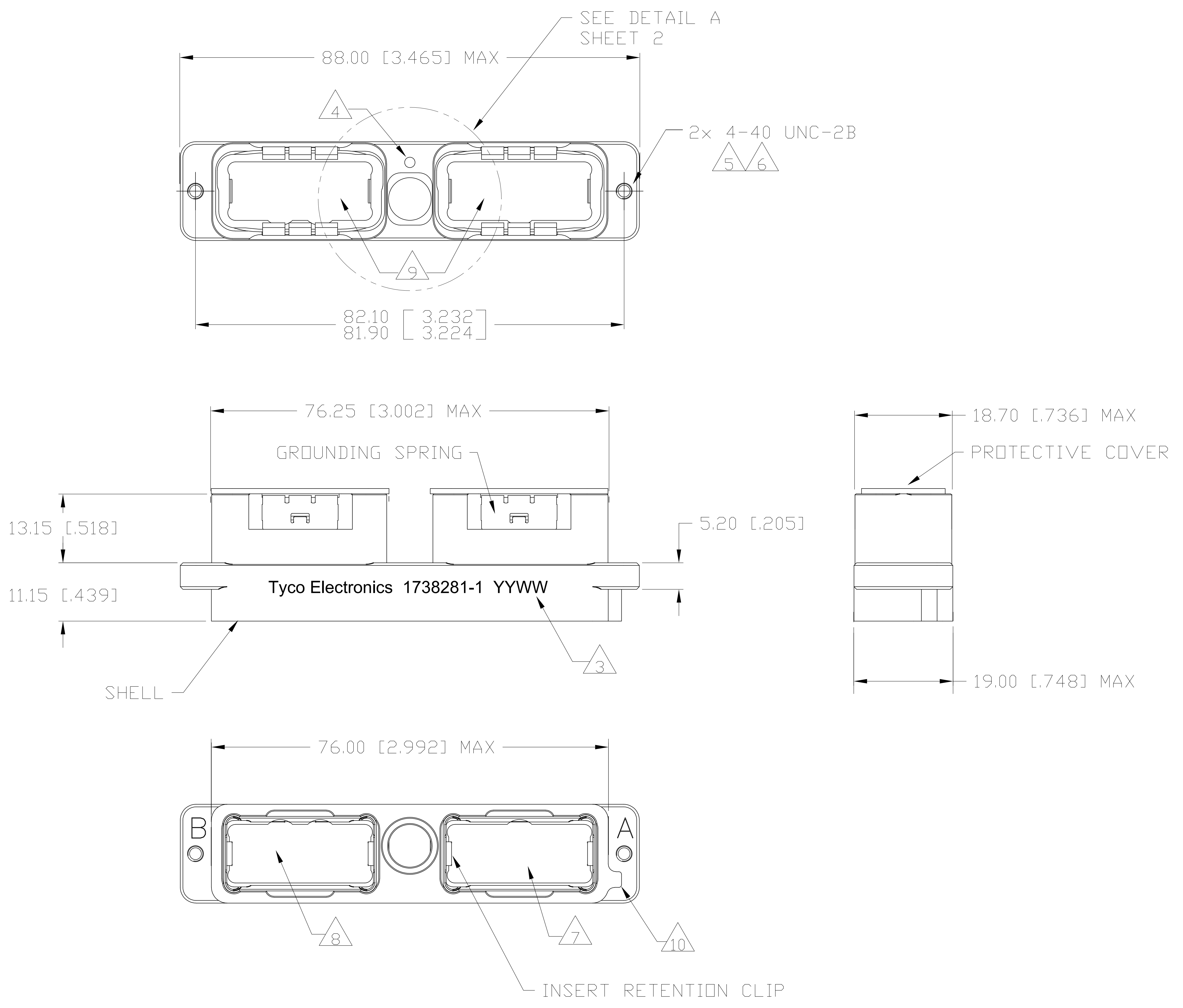


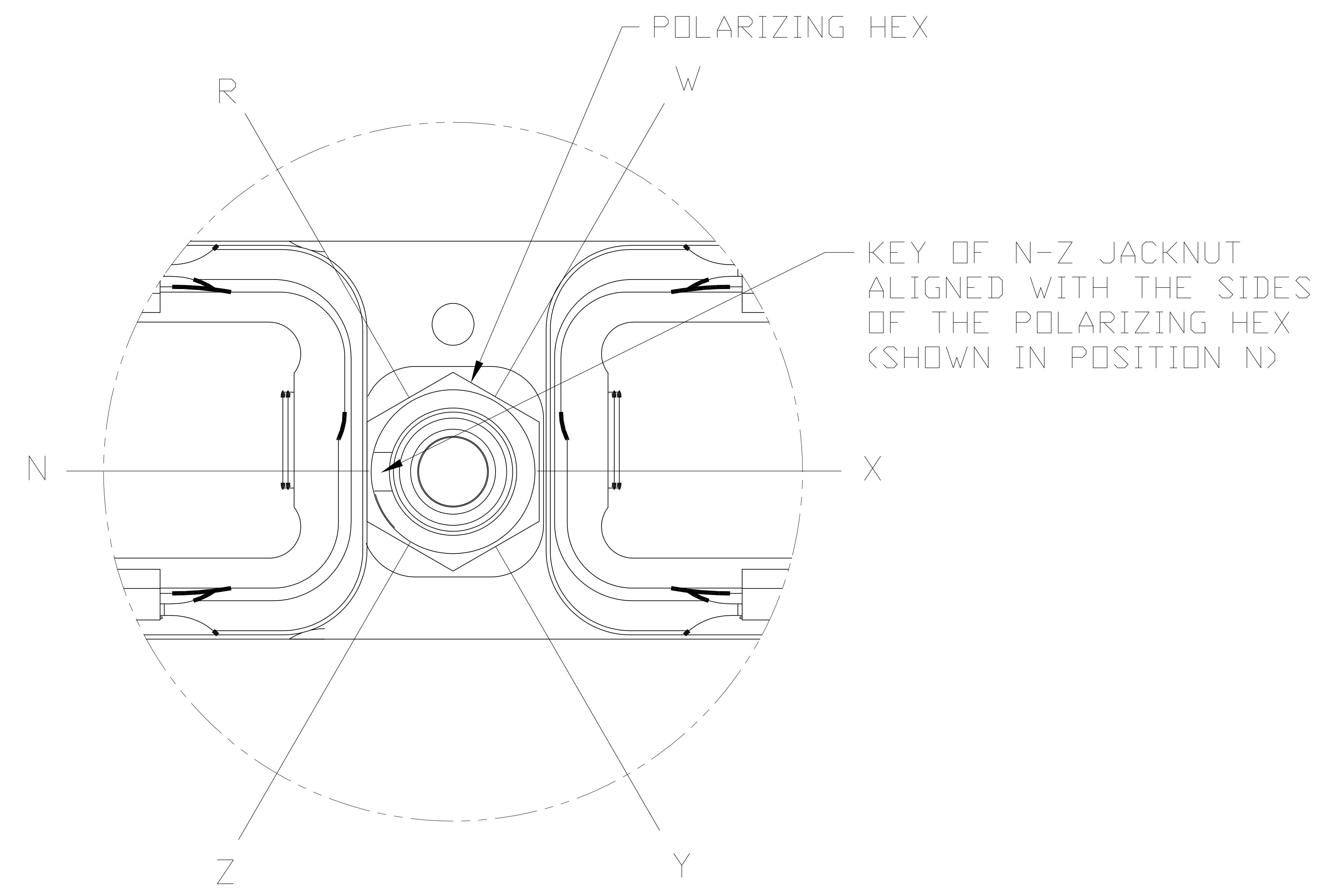
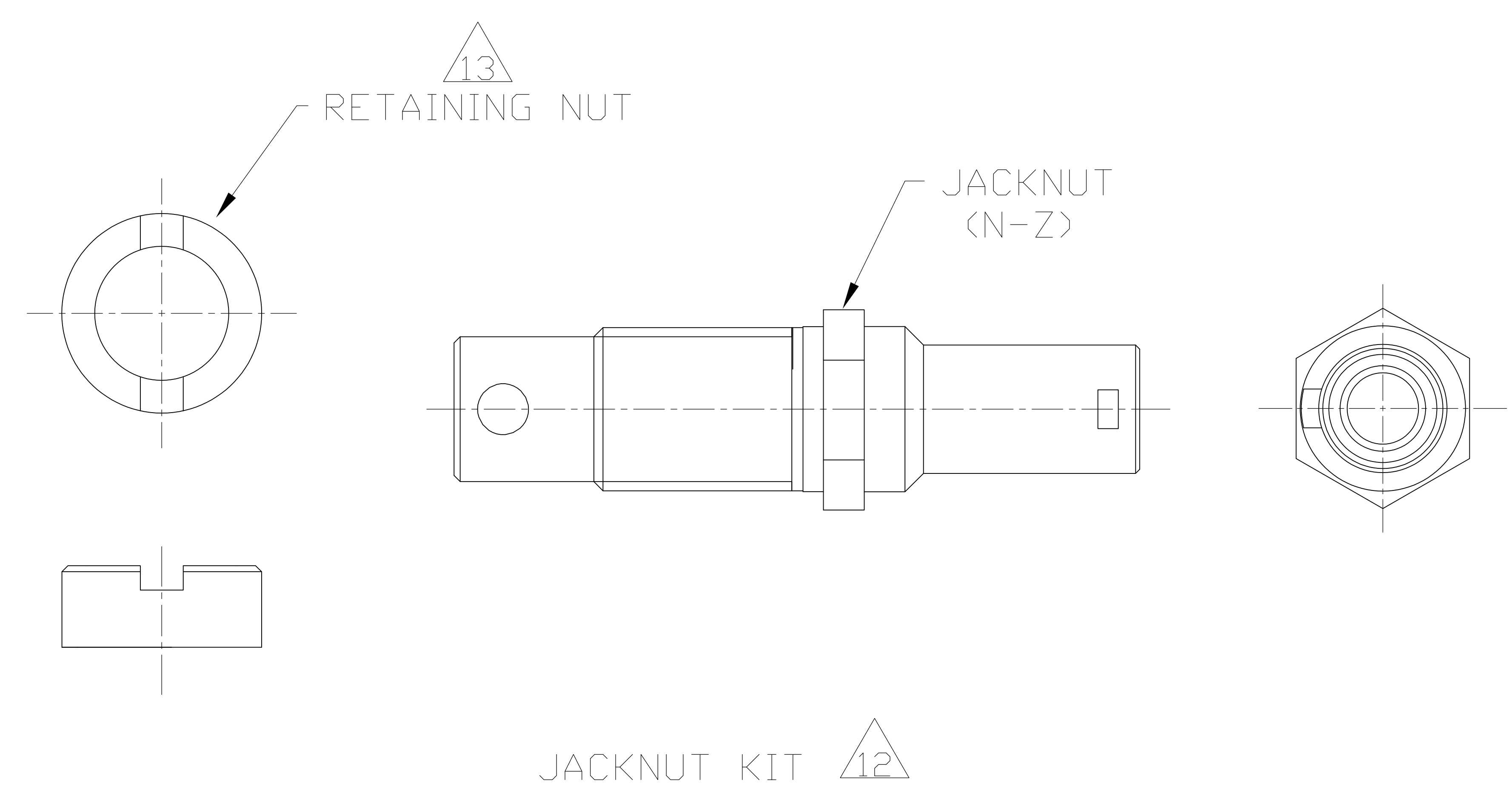
REV	DATE	DESCRIPTION	BY	APP'D
2	10/04	CONVERTED RADIAL DWG TO TYCO ACAD DWG	RF	JM
3	06APR10	REVISED	RF	JM

- 1 SHELL: ALUMINUM ALLOY 6061 T651
 INSERT RETENTION CLIP & GROUNDING SPRING: COPPER ALLOY PER ASTM B194
 JACKNUT & RETAINING NUT: STAINLESS STEEL PER AISI 316
 JACKNUT SPRING: STAINLESS STEEL PER AISI 302
 PROTECTIVE COVER: THERMOPLASTIC ELASTOMER
- 2 SHELL: ELECTROLESS NICKEL PER SAE AMS-C-26074, CLASS 1.
 GROUNDING SPRING: ELECTROLYTIC NICKEL PER SAE AMS-QQ-290.
- 3 DATE CODE - YEAR & WEEK (YY WW)
- 4 INDEXING POINT FOR POLARIZATION.
- 5 4-40 SCREWS ARE REQUIRED FOR PANEL MOUNTING (NOT INCLUDED)
 RECOMMENDED TORQUE 1.1 N-m [10 in-lb] MIN
- 6 THREADED HOLES ARE SELF-LOCKING, HAVING THE SPIRALOCK® THREAD FORM.
 SPIRALOCK® IS A REGISTERED TRADEMARK OF SPIRALOCK CORPORATION.
- 7 SHELL CAVITY FOR GPRB SERIES INSERTS WITH KEYING CODE A.
- 8 SHELL CAVITY FOR GPRB SERIES INSERTS WITH KEYING CODE B.
- 9 PROTECTIVE COVERS NOT SHOWN FOR CLARITY.
- 10 POLARIZATION FEATURE TO PREVENT FRONT PANEL MOUNTING.
- 11 SCREW HEAD DIAMETER: 6.00 [.236] MAX.
- 12 THE JACKNUT AND RETAINING NUT ARE SHIPPED UNASSEMBLED.
 THE CUSTOMER SHALL APPLY LOCTITE® PRODUCT 272 THREADLOCKING ADHESIVE
 WHEN INSTALLING THESE ON THE SHELL ASSEMBLY. LOCTITE® IS A
 REGISTERED TRADEMARK OF LOCTITE CORPORATION.
- 13 A SPANNER WRENCH TOOL, TYCO ELECTRONICS P/N 1738220-1 (WITH 1/4-in ADAPTER)
 OR 1738221-1 (WITH T-HANDLE), IS USED TO LOCK THE RETAINING NUT.
 RECOMMENDED LOCKING TORQUE: 1.5 N-m [13 in-lb].
- 14. PITCH FOR SIDE-BY-SIDE MOUNTING: 19.50 [.768] MIN.
- 15. DESCRIPTIVE PART NUMBER: GPRB2HL23N
 SERIES: GPRB
 SHELL SIZE: 2 (TWO-CAVITY SHELL)
 SHELL STYLE: H (RECEPTACLE WITH GROUNDING SPRINGS)
 MODIFICATION CODE: L (2x 4-40 UNC MOUNTING HOLES FOR REAR PANEL-MOUNTING)
 LOCKING & POLARIZING DEVICE: 2 (JACKNUT)
 POLARIZATION CODE: 3 (N-Z JACKNUT HARDWARE SHIPPED UNASSEMBLED)
 SHELL PLATING: N (NICKEL PLATING)
- 16. THIS PRODUCT IS SOLD BY TYCO ELECTRONICS UNDER A LICENSE FROM RADIAL SA.

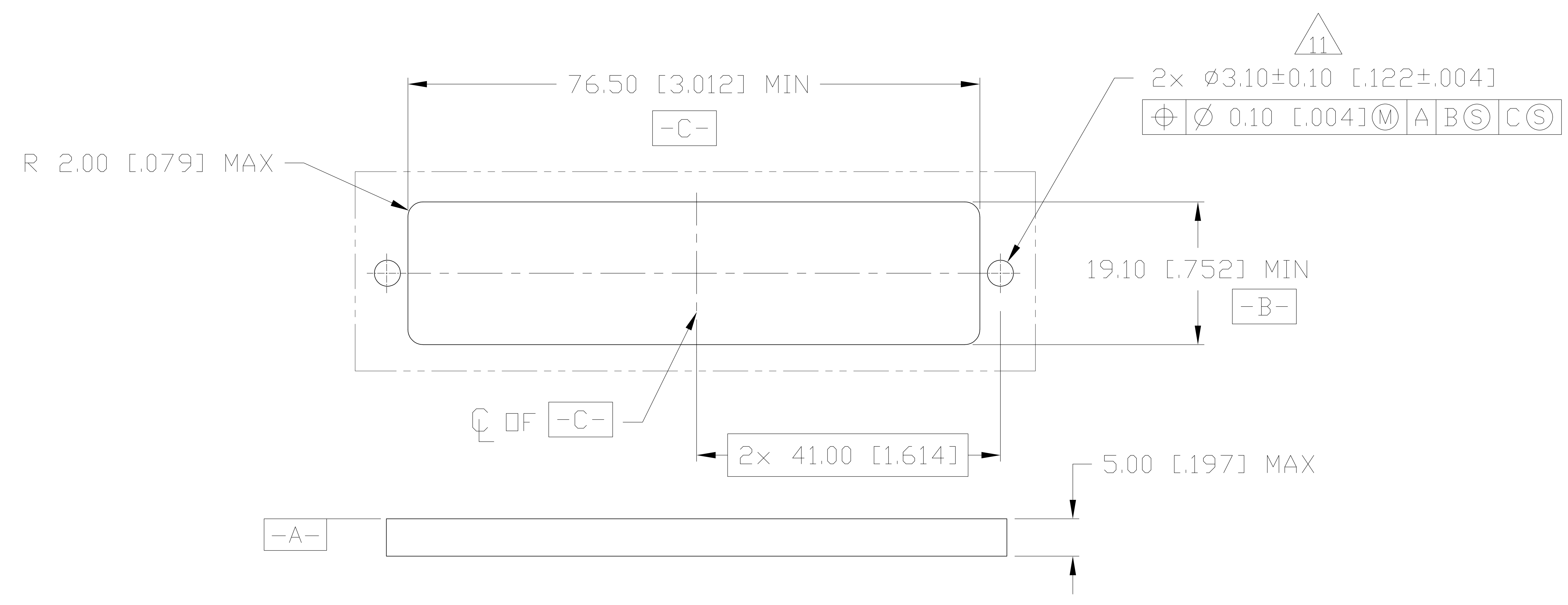


THIS PRINT IS
PRELIMINARY
 UNQUALIFIED PRODUCT
 CONTACT PRODUCT ENGINEERING
 BEFORE USING THIS PRINT

THIS DRAWING IS A CONTROLLED DOCUMENT.		REV	DATE	BY	APP'D
DIMENSIONS: mm (INCHES)		0			
TOLERANCES UNLESS OTHERWISE SPECIFIED:		1			
D. HOLE		2			
F. HOLE		3			
H. HOLE		4			
K. HOLE		5			
L. HOLE		6			
M. HOLE		7			
N. HOLE		8			
O. HOLE		9			
P. HOLE		10			
Q. HOLE		11			
R. HOLE		12			
S. HOLE		13			
T. HOLE		14			
U. HOLE		15			
V. HOLE		16			
W. HOLE		17			
X. HOLE		18			
Y. HOLE		19			
Z. HOLE		20			
A. HOLE		21			
B. HOLE		22			
C. HOLE		23			
D. HOLE		24			
E. HOLE		25			
F. HOLE		26			
G. HOLE		27			
H. HOLE		28			
I. HOLE		29			
J. HOLE		30			
K. HOLE		31			
L. HOLE		32			
M. HOLE		33			
N. HOLE		34			
O. HOLE		35			
P. HOLE		36			
Q. HOLE		37			
R. HOLE		38			
S. HOLE		39			
T. HOLE		40			
U. HOLE		41			
V. HOLE		42			
W. HOLE		43			
X. HOLE		44			
Y. HOLE		45			
Z. HOLE		46			
A. HOLE		47			
B. HOLE		48			
C. HOLE		49			
D. HOLE		50			
E. HOLE		51			
F. HOLE		52			
G. HOLE		53			
H. HOLE		54			
I. HOLE		55			
J. HOLE		56			
K. HOLE		57			
L. HOLE		58			
M. HOLE		59			
N. HOLE		60			
O. HOLE		61			
P. HOLE		62			
Q. HOLE		63			
R. HOLE		64			
S. HOLE		65			
T. HOLE		66			
U. HOLE		67			
V. HOLE		68			
W. HOLE		69			
X. HOLE		70			
Y. HOLE		71			
Z. HOLE		72			
A. HOLE		73			
B. HOLE		74			
C. HOLE		75			
D. HOLE		76			
E. HOLE		77			
F. HOLE		78			
G. HOLE		79			
H. HOLE		80			
I. HOLE		81			
J. HOLE		82			
K. HOLE		83			
L. HOLE		84			
M. HOLE		85			
N. HOLE		86			
O. HOLE		87			
P. HOLE		88			
Q. HOLE		89			
R. HOLE		90			
S. HOLE		91			
T. HOLE		92			
U. HOLE		93			
V. HOLE		94			
W. HOLE		95			
X. HOLE		96			
Y. HOLE		97			
Z. HOLE		98			
A. HOLE		99			
B. HOLE		100			



DETAIL A - JACKNUT KIT ASSEMBLED



RECOMMENDED PANEL CUTOUT

THIS PRINT IS
PRELIMINARY
 UNQUALIFIED PRODUCT
 CONTACT PRODUCT ENGINEERING
 BEFORE USING THIS PRINT

1738281-1
 PART NUMBER

THIS DRAWING IS A CONTROLLED DOCUMENT.		DATE: 02/14/04	BY: J. FLAG	REV: 00	Tyco Electronics Corporation Harrisburg, Pa 17105-3608	
DIMENSIONS: mm (INCHES)		DESIGN: J. MOSIER	DATE: 02/14/04	REV: 00	RECEPTACLE SHELL KIT, REAR PANEL MOUNT, WITH N-Z JACKNUT, GPRB2	
TOLERANCES UNLESS OTHERWISE SPECIFIED:		APPROVAL: J. MOSIER	DATE: 02/14/04	REV: 00	SIZE: 1.000 (0.039) INCHES	
D. P.L.C. ± 0.10		PRODUCT SPEC: 1738281	DATE: 02/14/04	REV: 00	DRAWING NO: A000779	
F. P.L.C. ± 0.05		APPLICATION SPEC: 1738281	DATE: 02/14/04	REV: 00	SCALE: 1:1	
H. P.L.C. ± 0.2 (0.008)		WEIGHT: 0.000	DATE: 02/14/04	REV: 00	SHEET: 2 OF 2	
I. P.L.C. ± 0.10		CUSTOMER DRAWING: 1738281	DATE: 02/14/04	REV: 00	REV: 3	
MATERIAL: 1738281		FINISH: 1738281	DATE: 02/14/04	REV: 00	SHEET: 2 OF 2	