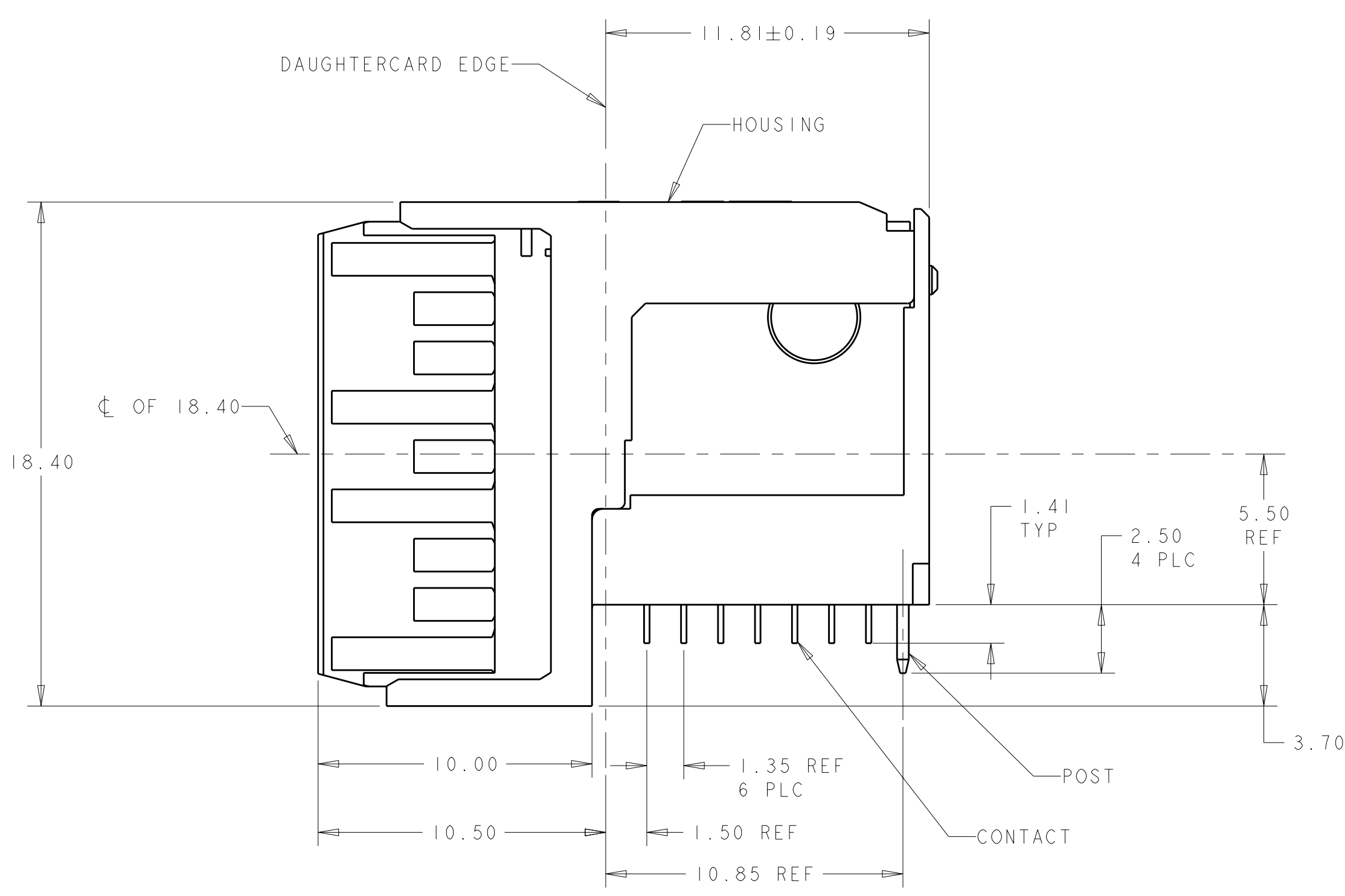
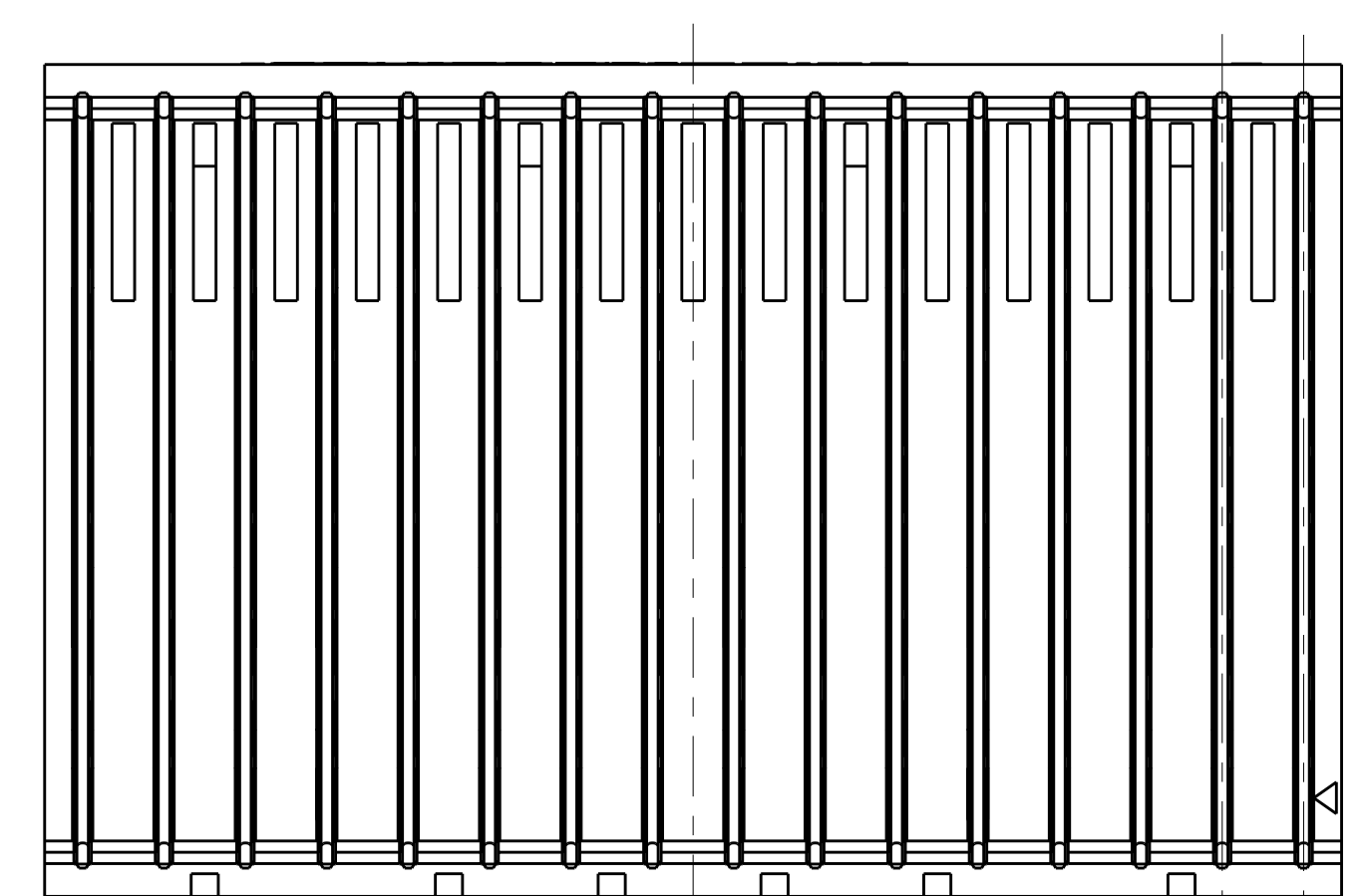
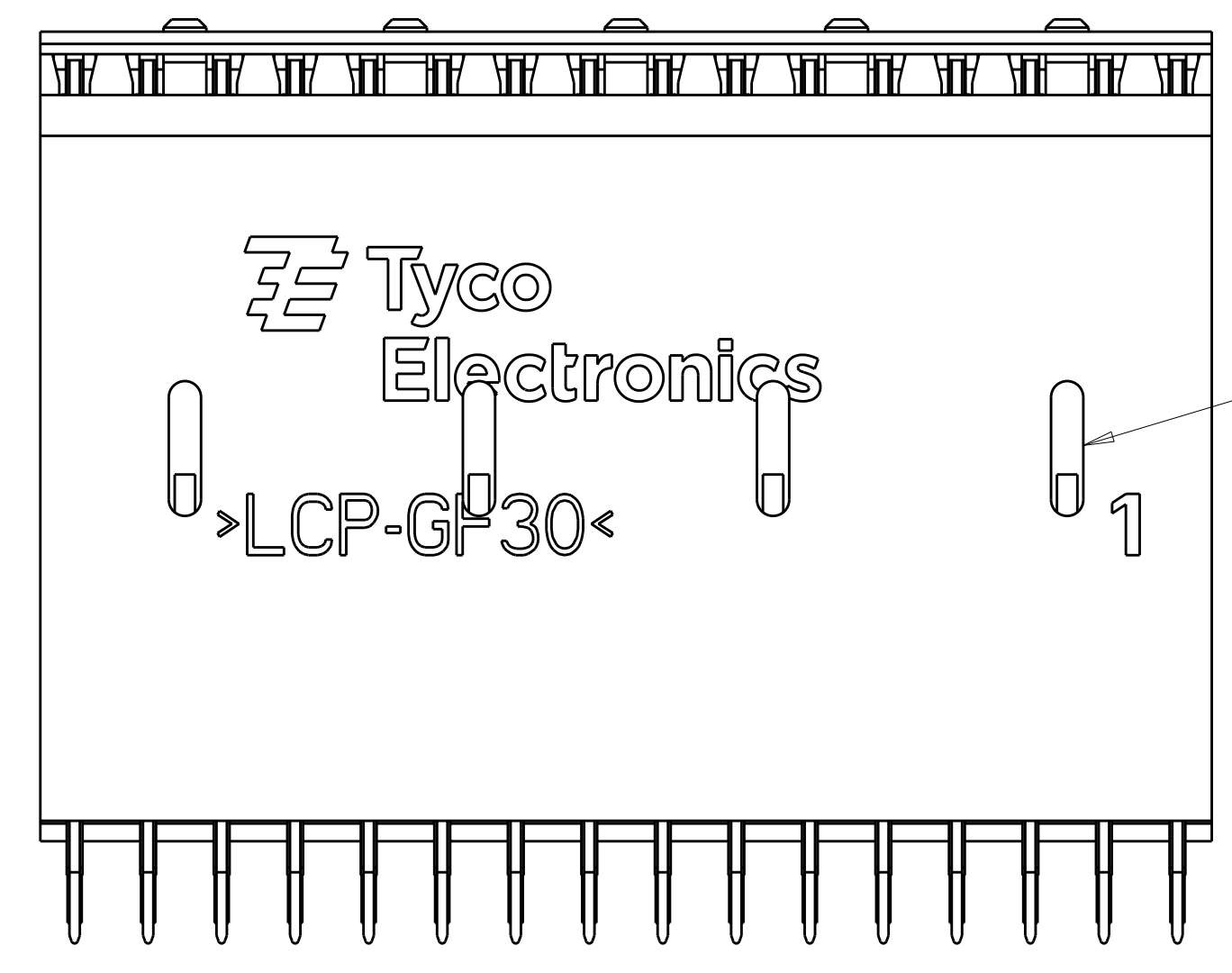


LOC	DIST	REV	DATE	BY	APP'D
DF	A5	1	05AUG2009	MM	BY

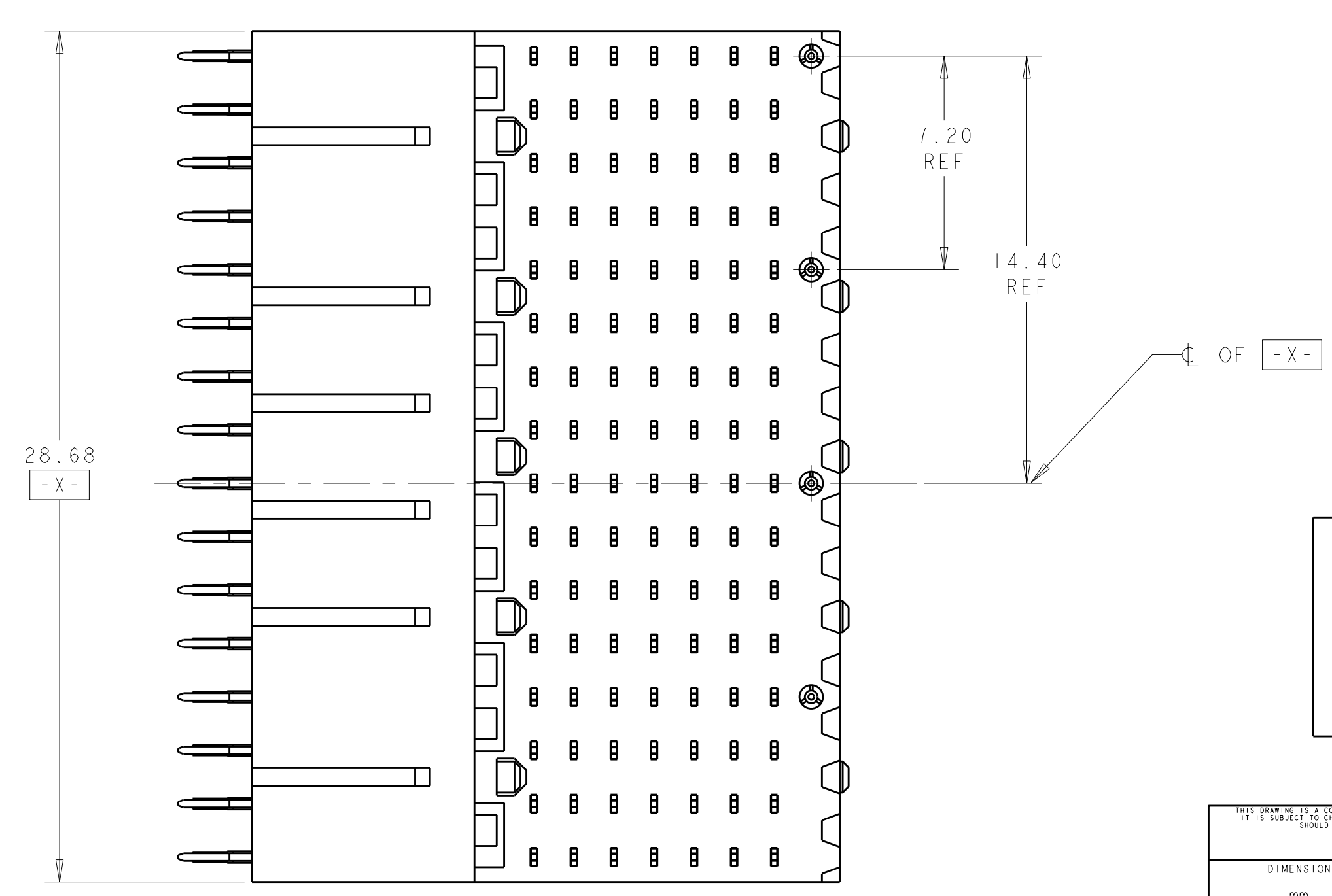
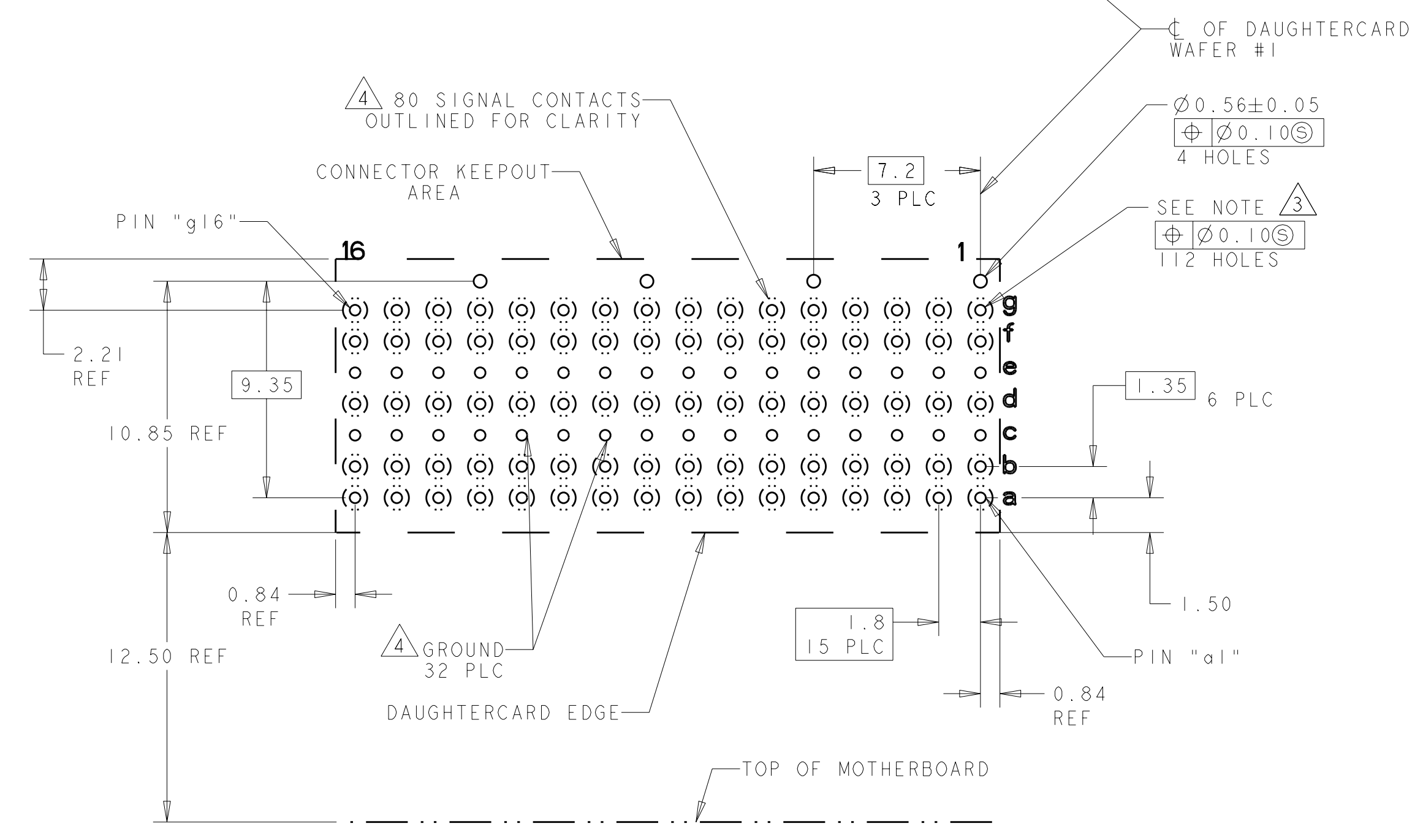


- HOUSING: LCP, UL94V0, COLOR: BLACK.
CONTACT: PHOSPHOR BRONZE.
POST: BRASS WIRE
- CONTACT: 1.27µm MIN GOLD IN PAD CONTACT AREA.
1.27µm MIN TIN-LEAD ON PCB TAIL
OVER 1.27µm MIN NICKEL OVER ALL.
POST 1.27µm MIN NICKEL PLATED.
- MANUFACTURING TOLERANCE FOR $\varnothing 0.46 \pm 0.05$
DIAMETER FINISHED HOLE WITH SnPB PLATING:
DRILLED HOLE = $\varnothing 0.55 \pm 0.02$
COPPER PLATING = 0.025-0.050
Sn PB PLATING = 0.0038-0.0124
OR MANUFACTURING TOLERANCE FOR $\varnothing 0.475 \pm 0.05$
DIAMETER FINISHED HOLE WITHOUT SnPB PLATING:
DRILLED HOLE = $\varnothing 0.55 \pm 0.02$
COPPER PLATING = 0.025-0.050
- SEE TABLE 1 FOR INTERCONNECTIONS TO BACKPLANE CONNECTOR.

TABLE 1
INTERCONNECTIONS WITH BACKPLANE CONNECTOR 1410140

TYPICAL INTERCONNECTIONS FOR EACH COLUMN (WAFER): 1-16		
CONTACT USAGE	DAUGHTERCARD CONNECTOR PIN	BACKPLANE CONNECTOR PIN
SIGNAL	ax	bx
SIGNAL	bx	cx
SIGNAL	dx	ex
SIGNAL	fx	gx
SIGNAL	gx	hx
GROUND	cx, ex, (ALL COMMON)	ax, dx, fx, ix

NOTE: "x" DESIGNATES THE COLUMN NUMBER



THIS PRINT IS
PRELIMINARY
UNQUALIFIED PRODUCT
CONTACT PRODUCT ENGINEERING
BEFORE USING THIS PRINT

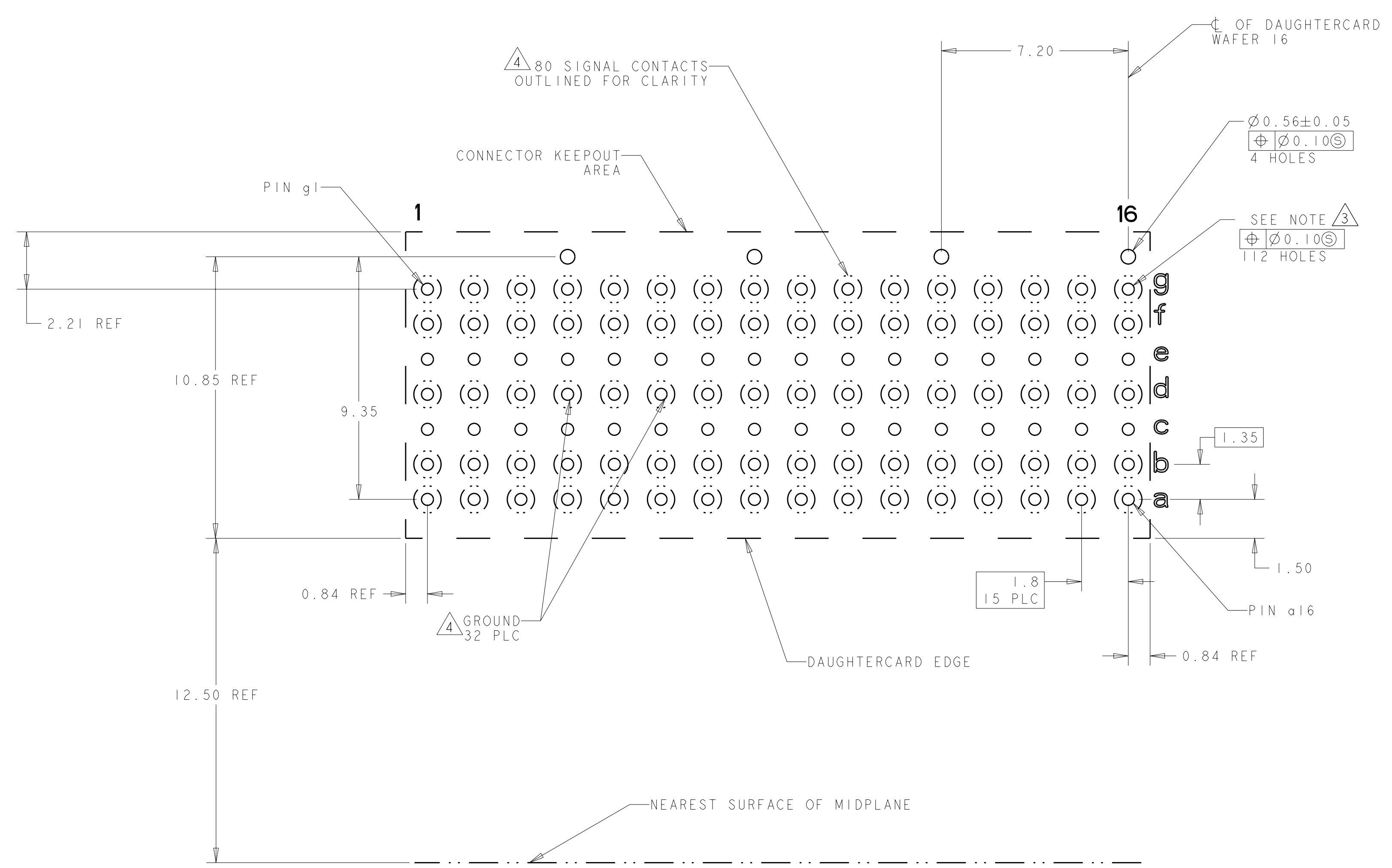
PC BOARD LAYOUT
(CONNECTOR SIDE)
SEE SHEET 2 FOR RTM
SCALE 5:1

THIS PRODUCT HAS NOT COMPLETED VALIDATION TESTING

<p>THIS PRINTING IS UNPUBLISHED. RELEASED FOR PUBLICATION BY TYCO ELECTRONICS CORPORATION, ALL RIGHTS RESERVED.</p>		<p>OWN: 05AUG2009 BY: D. HOLLAND CHK: M. MCALONIS APP'D: M. MCALONIS</p>	<p>DATE: 05AUG2009 BY: MM</p>	<p>2000878-1 PLATING PART NO</p>
<p>DIMENSIONS: mm</p>	<p>TOLERANCES UNLESS OTHERWISE SPECIFIED:</p> <p>9 PLC ± 1 PLC ±0.5 3 PLC ±0.13 5 PLC ± 4 PLC ± ANGLES ±1°</p>	<p>PRODUCT SPEC: 108-2072 APPLICATION SPEC: 114-13056</p>	<p>NAME: RT2 MGX, DAUGHTERCARD CONN, VITA 46</p>	<p>SCALE: 5:1</p>
<p>MATERIAL: SEE TABLE</p>	<p>FINISH: SEE TABLE</p>	<p>WEIGHT: -</p>	<p>SIZE: 00779 CAGE CODE: C=2000878</p>	<p>SHEET 1 OF 2 REV 1</p>

LOC	DIST	REVISIONS					
DF	A5	P	LTG	DESCRIPTION	DATE	DWN	APVD
		-	-	SEE SHEET 1	-	-	-

REAR TRANSITION MODULE APPLICATION



PC BOARD REAR TRANSITION MODULE
 SCALE 8:1

THIS PRODUCT HAS NOT COMPLETED VALIDATION TESTING

THIS PRINT IS
PRELIMINARY
 UNQUALIFIED PRODUCT
 CONTACT PRODUCT ENGINEERING
 BEFORE USING THIS PRINT

<small>THIS DRAWING IS UNPUBLISHED. RELEASED FOR PUBLICATION. THIS DRAWING IS UNPUBLISHED. RELEASED FOR PUBLICATION. THIS DRAWING IS UNPUBLISHED. RELEASED FOR PUBLICATION. THIS DRAWING IS UNPUBLISHED. RELEASED FOR PUBLICATION. THIS DRAWING IS UNPUBLISHED. RELEASED FOR PUBLICATION.</small> DIMENSIONS: mm		TOLERANCES UNLESS OTHERWISE SPECIFIED: 9 PLC ± 1 PLC ±0.5 2 PLC ±0.13 3 PLC ± 4 PLC ± ANGLES ±1°	DWN: 05AUG2009 BY: Brent D. Toth CHK: M.R. MCALONIS APVD: M.R. MCALONIS PRODUCT SPEC: 108-2072 APPLICATION SPEC: 114-13056 WEIGHT: - FINISH: SEE TABLE	DATE: 05AUG2009 REV: 3SEP2009 NAME: RIGHT-ANGLE PLUG ASSEMBLY, 7 ROW, CENTER, 20.3mm, SINGLE ENDED, MULTIGIG RT2 MGX, DAUGHTERCARD CONN, VITA 46 SIZE: A CAGE CODE: 00779 DRAWING NO: C=2000878 RESTRICTED TO: - SCALE: 5:1 SHEET: 2 OF 2 REV: 1	Tyco Electronics Harrisburg, PA 17105-3608
---	--	--	---	---	---