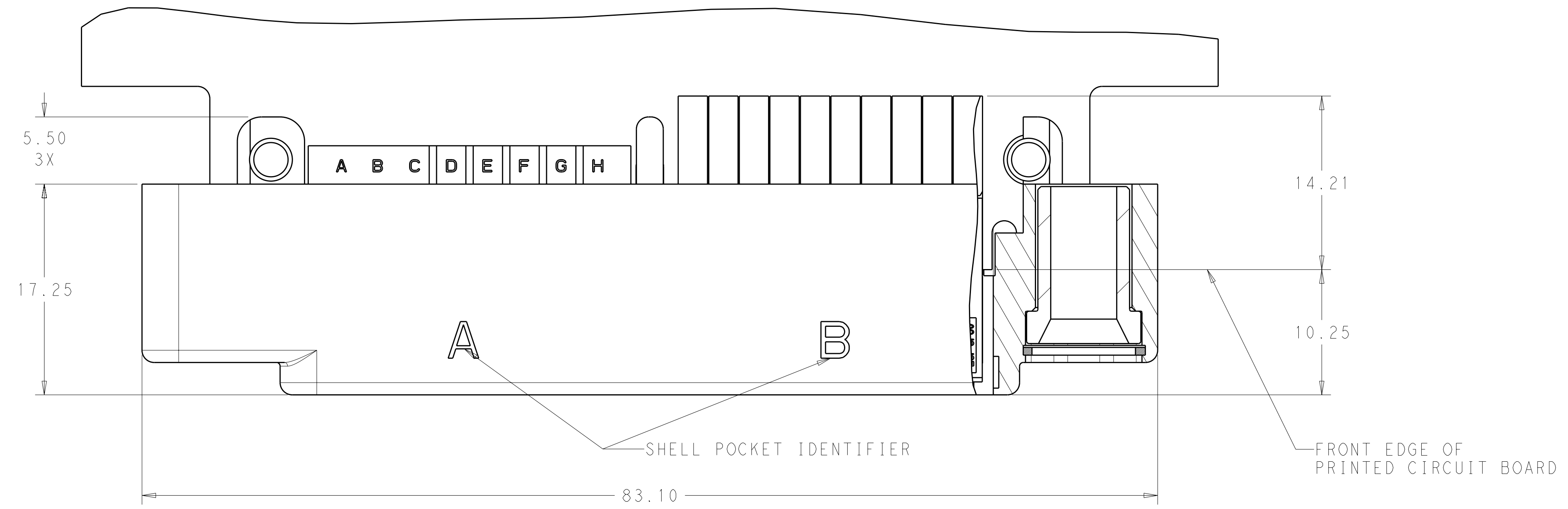
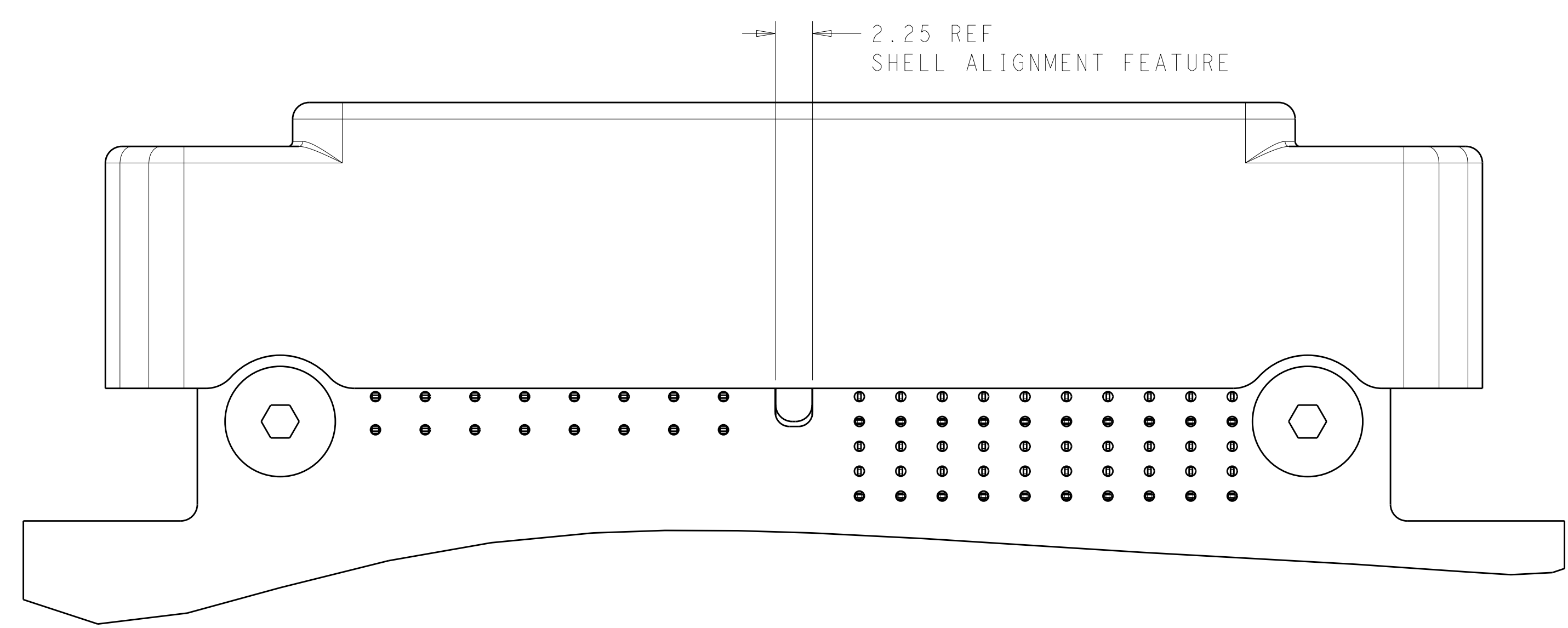
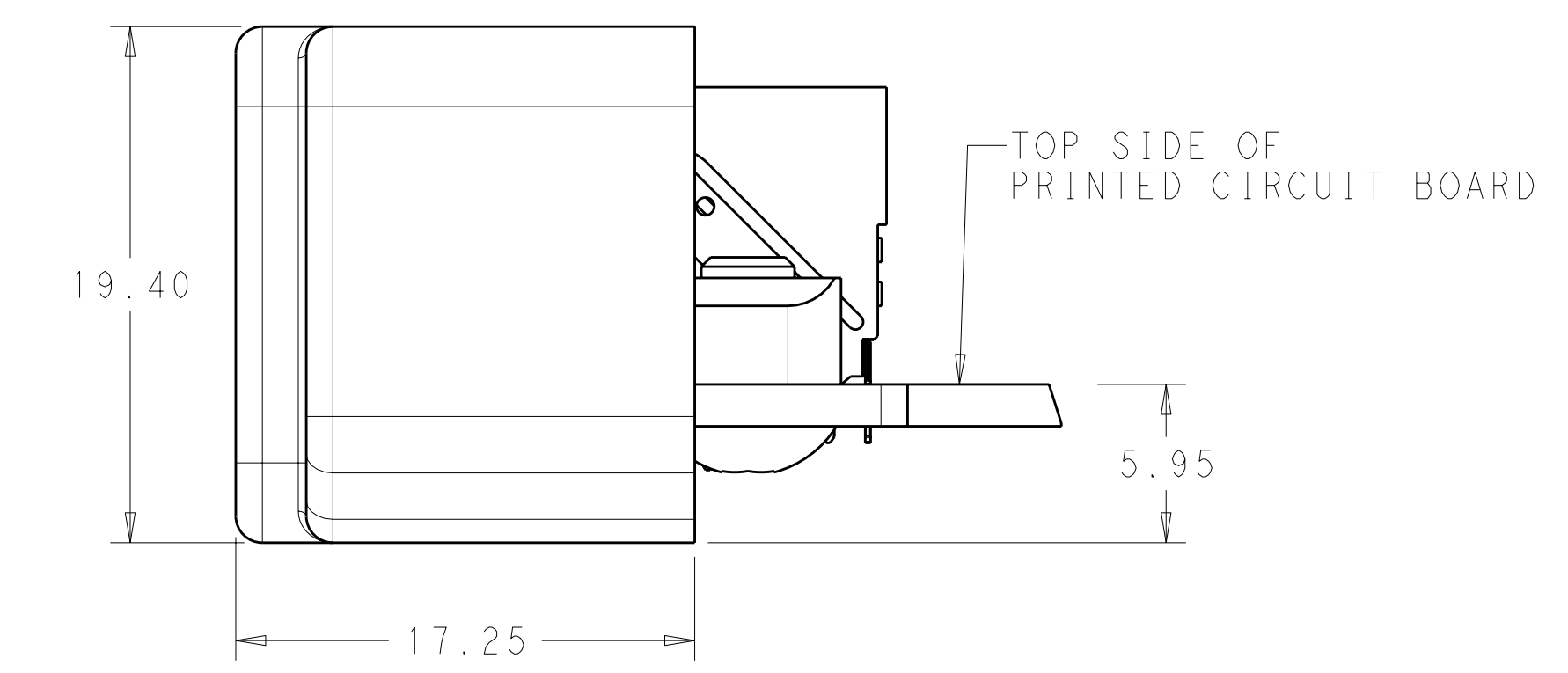
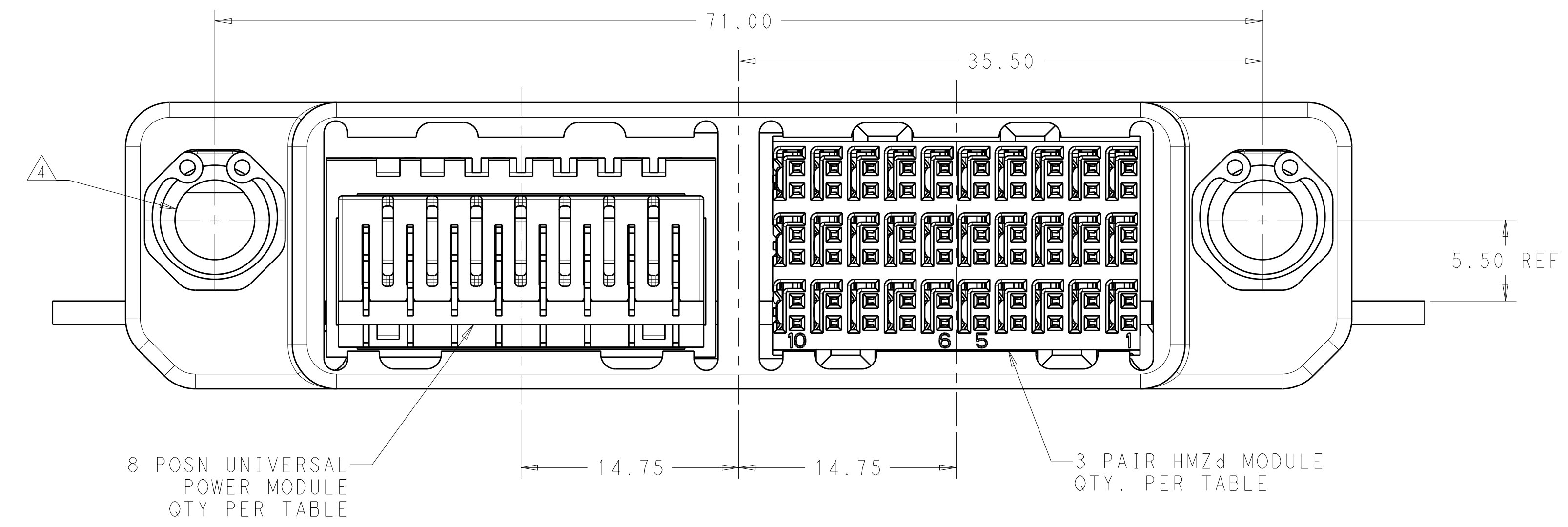


LOC	DIST	REV	DATE	BY	CHK	APPV
-	-	D	3-2-11	CT	DH	



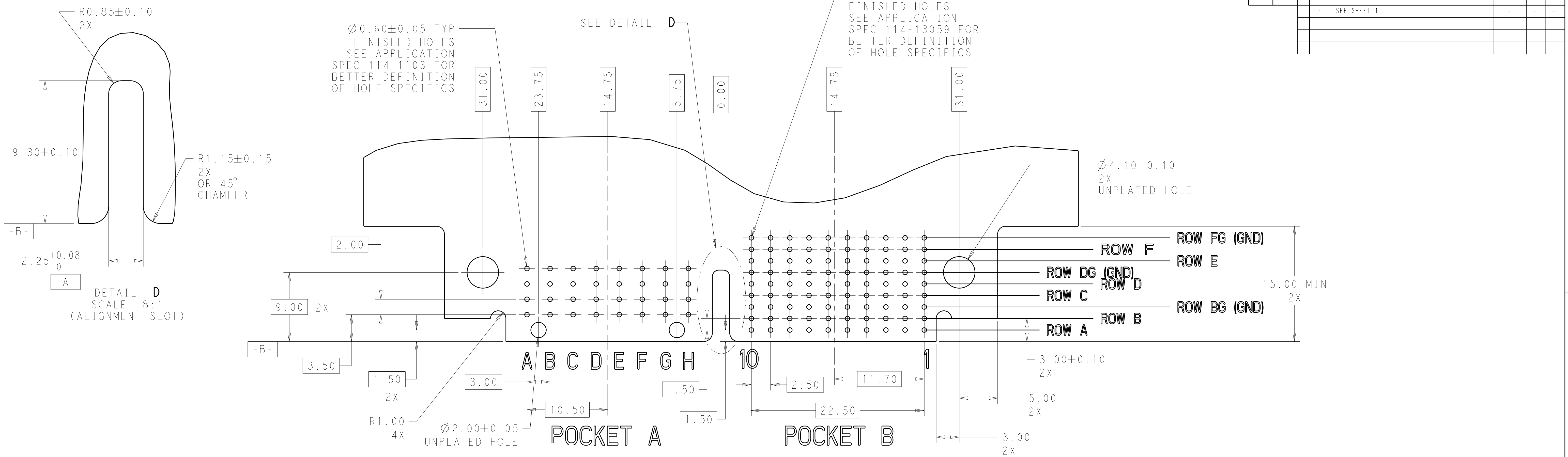
- MATING CONNECTOR FOR THIS CONNECTOR IS 2033994.
- MATERIAL - SHELL: ALUMINUM  
HOUSING: GLASS FILLED POLYESTER, UL94V0  
RETAINING RING: STAINLESS STEEL  
KEYING GUIDE SOCKET: STAINLESS STEEL
- PLATING - CONTACT MATING AREA:  
1.27µm MIN GOLD OVER 1.27µm MIN NICKEL  
CONTACT PCB AREA: 0.5µm MIN BRIGHT  
TIN-LEAD OVER 1.27µm MIN NICKEL
- SHELL: ELECTROLESS NICKEL
- KEYING GUIDE SOCKET AND RETAINING RING PACKAGED FOR ASSEMBLY BY CUSTOMER.



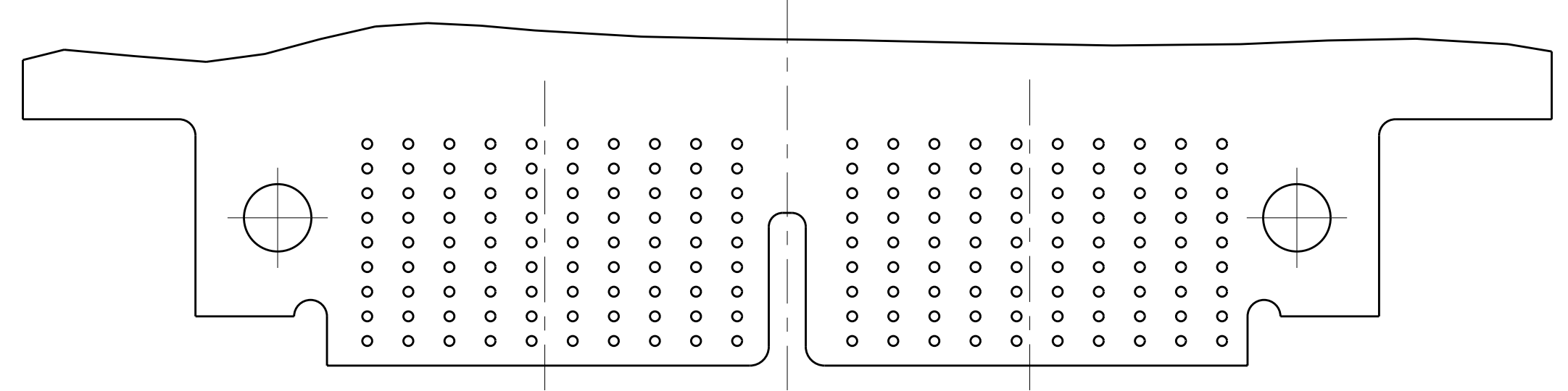
-	2	-	2033993-3
1	1	-	2033993-2
<b>NOT RELEASED</b>			2033993-1
8 POSN UPM	3 PAIR HMZd WITHOUT ESD SHIELD	3 PAIR HMZd WITH ESD SHIELD	PART NUMBER
MODULE QTY PER ASSY			

DIMENSIONS: mm TOLERANCES UNLESS OTHERWISE SPECIFIED: 9 PLC ± 1 PLC ±0.13 5 PLC ±0.013 4 PLC ± ANGLES ±#1 FINISH: 2, 3		DWN: Brent D. Toth CHK: CHONG YI APPV: M. R. McALONIS DATE: 13JAN2010 PRODUCT SPEC: 108-2381 APPLICATION SPEC: WEIGHT: CUSTOMER DRAWING	Tyco Electronics Harrisburg, PA 17105-3608 NAME: DAUGHTER CARD CONNECTOR HIGH SPEED RUGGEDIZED (HSR) 2 BAY, UNSEALED, RIGHT ANGLE SIZE: CAGE CODE DRAWING NO. RESTRICTED TO: A100779C=2033993 SCALE: 1:1 SHEET 1 OF 2 REV D
---	--	--	---

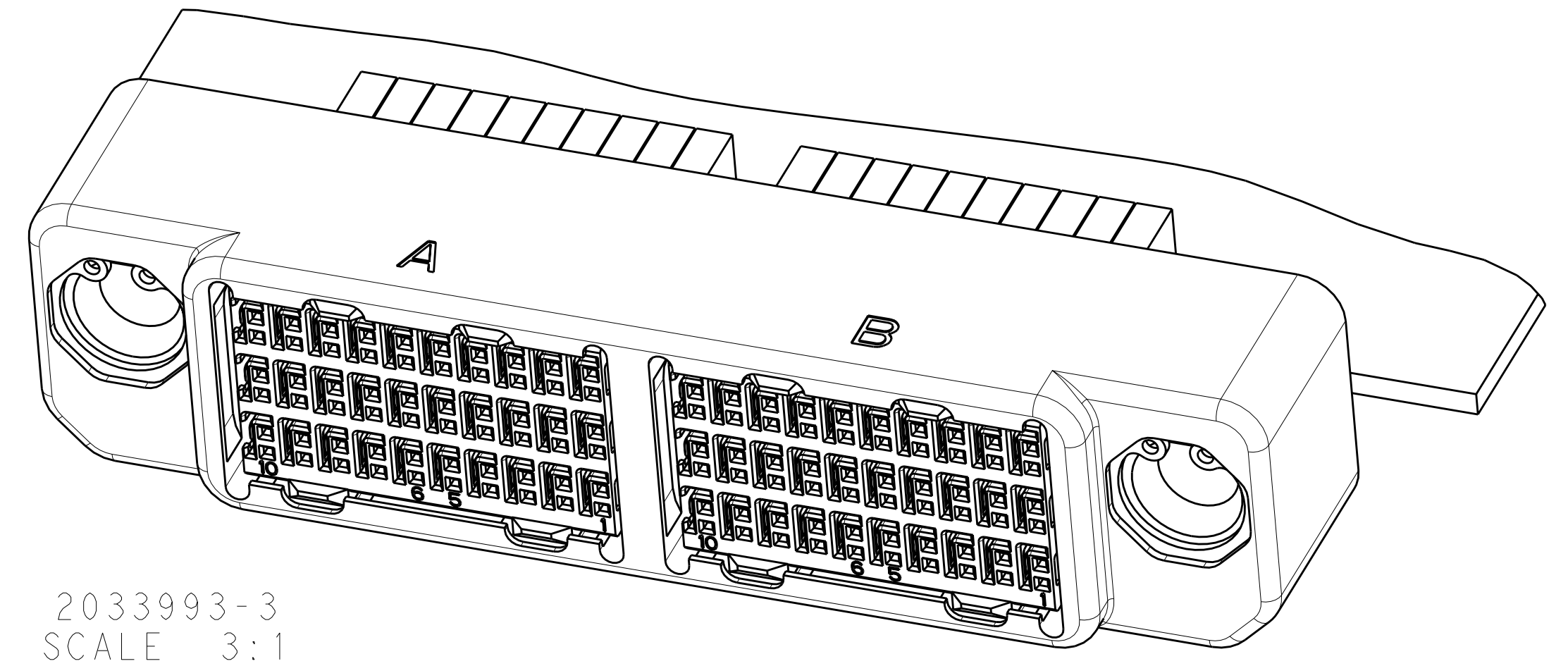
LOC		DIST		REVISIONS			
				REV	DATE	BY	APPD
-	-	-	-	1	SEE SHEET 1	-	-



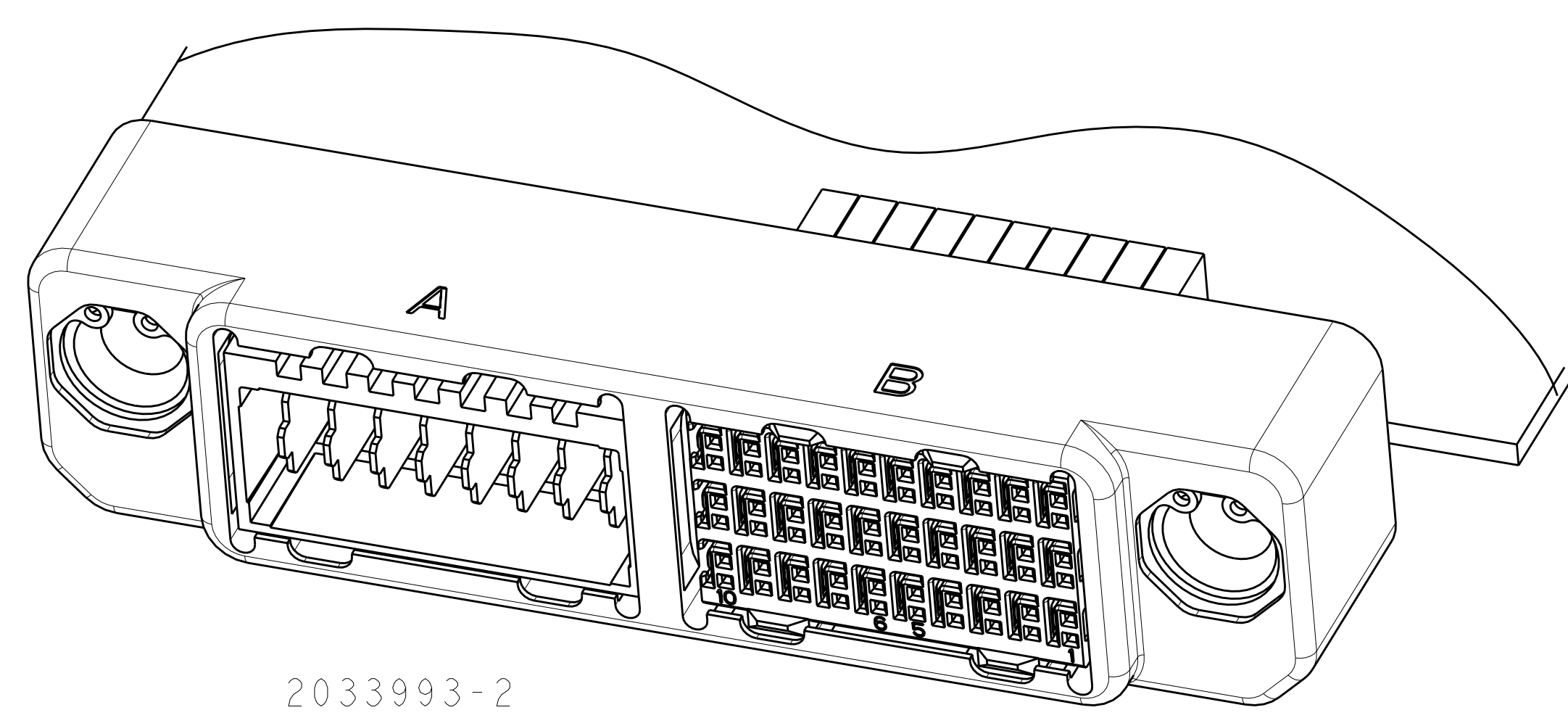
**RECOMMENDED PRINTED CIRCUIT BOARD LAYOUT  
 AS VIEWED FROM TOP OF PRINTED CIRCUIT BOARD**



2033993-3 PCB  
 SCALE 3:1



2033993-3  
 SCALE 3:1



2033993-2  
 SCALE 3:1

<small>THIS DRAWING IS UNPUBLISHED. RELEASED FOR PUBLICATION BY TYCO ELECTRONICS CORPORATION, ALL INTERNATIONAL RIGHTS RESERVED.</small> <small>IT IS SUBJECT TO CHANGE WITHOUT NOTICE. FOR THE LATEST REVISIONS, CONTACT YOUR TYCO ELECTRONICS REPRESENTATIVE OR VISIT TYCOELECTRONICS.COM.</small>		DWN: Brent D. Toth CHK: CHONG YI APVD: M. R. McALONIS	DATE: 13JAN2010 DATE: 13JAN2010 DATE: 13JAN2010	Tyco Electronics Harrisburg, PA 17105-3608
DIMENSIONS: mm	TOLERANCES UNLESS OTHERWISE SPECIFIED: 9 PLC ± 1 PLC ±0.13 5 PLC ±0.013 4 PLC ± ANGLES ±#1	NAME: M. R. McALONIS PRODUCT SPEC: 108-2381 APPLICATION SPEC:	NAME: DAUGHTER CARD CONNECTOR HIGH SPEED RUGGEDIZED (HSR) 2 BAY, UNSEALED, RIGHT ANGLE	SIZE: CAGE CODE DRAWING NO. RESTRICTED TO: A100779C=2033993
MATERIAL:	FINISH:	WEIGHT:	CUSTOMER DRAWING:	SCALE: 4:1 SHEET 2 OF 2 REV D