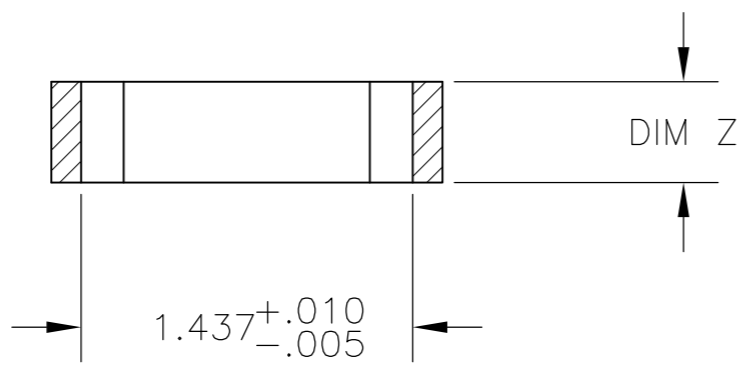
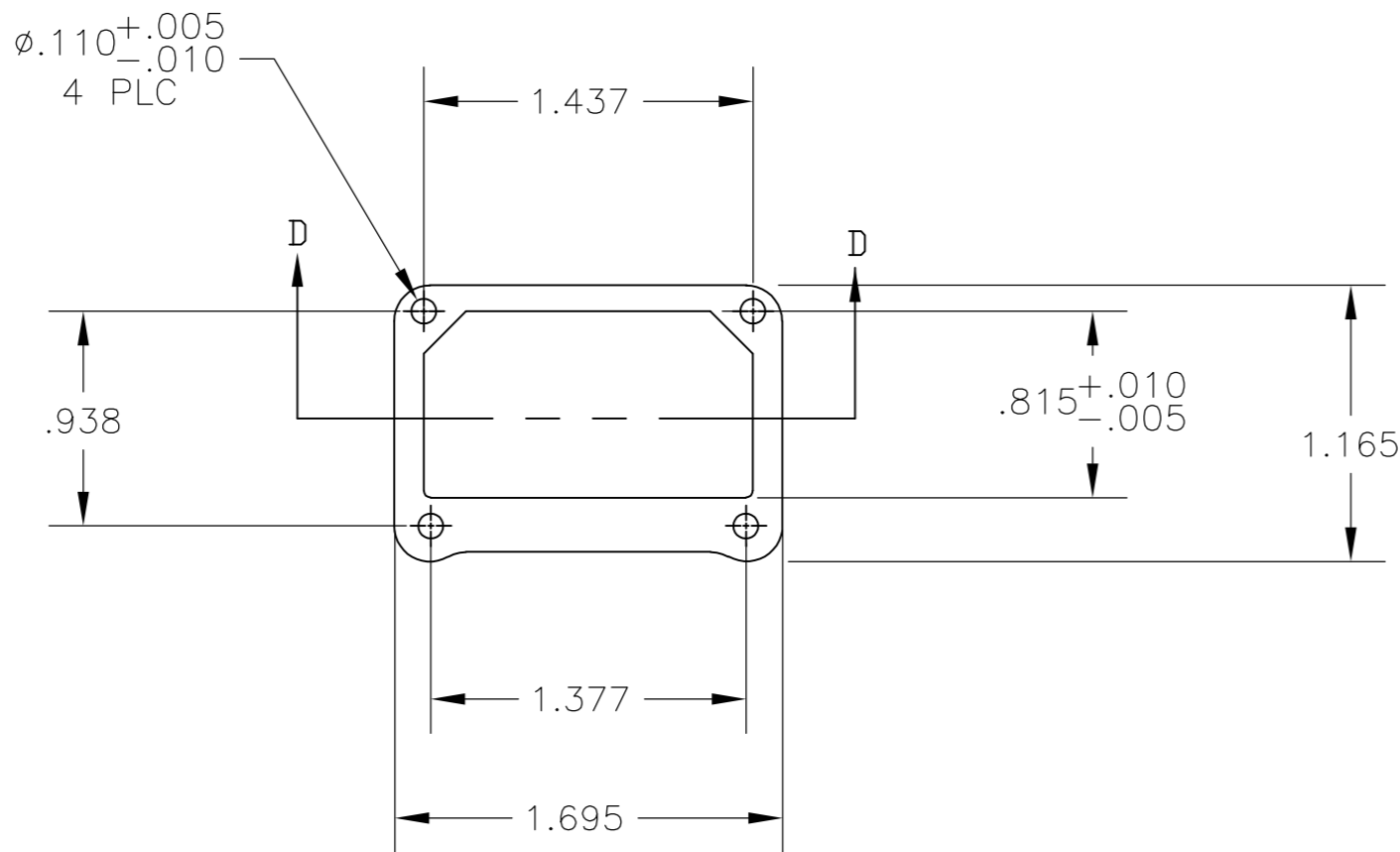


THIS DRAWING IS UNPUBLISHED. RELEASED FOR PUBLICATION  
 © COPYRIGHT BY TYCO ELECTRONICS CORPORATION. ALL RIGHTS RESERVED.

| LOC | DIST | REVISIONS             |         |     |      |
|-----|------|-----------------------|---------|-----|------|
| P   | LTR  | DESCRIPTION           | DATE    | DWN | APVD |
| DF  | X5   |                       |         |     |      |
|     | D    | REV PER ECO-07-030671 | 21JAN08 | PY  | DE   |



SECTION D-D

- 1 MAT'L: ALUMINUM ALLOY
- 2 FINISH: BLUE ANODIZE
- 3 FINISH: ELECTROLESS NICKEL
- 4 FINISH: ELECTROLESS NICKEL
- 5 ELECTROLESS NICKEL DOES NOT CONTAIN INTENTIONAL ADDITIONS OF LEAD AND CADMIUM PER DFE STANDARD 230-700.

|       |        |          |            |
|-------|--------|----------|------------|
| .437  | 4 5    | 1        | 5-205339-7 |
| .218  | 3      | 1        | 205339-8   |
| .437  | 3      | 1        | 205339-7   |
| .218  | 2      | 1        | 205339-4   |
| .437  | 2      | 1        | 205339-2   |
| DIM Z | FINISH | MATERIAL | PART NO.   |

|   |                      |                                |   |                    |       |   |   |       |   |   |       |   |      |       |   |   |        |   |   |                       |            |                    |
|---|----------------------|--------------------------------|---|--------------------|-------|---|---|-------|---|---|-------|---|------|-------|---|---|--------|---|---|-----------------------|------------|--------------------|
| THIS DRAWING IS A CONTROLLED DOCUMENT.  |                      | DWN<br>B. LATTUCA<br>02FEB2006 | Tyco Electronics Corporation<br>Harrisburg, PA 17105-3608 |                    |       |   |   |       |   |   |       |   |      |       |   |   |        |   |   |                       |            |                    |
| DIMENSIONS:<br>INCHES   |                      | CHK<br>J. MARKEY<br>02FEB2006  | NAME<br>GROMMET PROTECTOR                                 |                    |       |   |   |       |   |   |       |   |      |       |   |   |        |   |   |                       |            |                    |
| TOLERANCES UNLESS OTHERWISE SPECIFIED:  |                      | APVD<br>J. MARKEY<br>02FEB2006 | PRODUCT SPEC<br>-   |                    |       |   |   |       |   |   |       |   |      |       |   |   |        |   |   |                       |            |                    |
| <table border="0"> <tr><td>0 PLC</td><td>±</td><td>-</td></tr> <tr><td>1 PLC</td><td>±</td><td>-</td></tr> <tr><td>2 PLC</td><td>±</td><td>-</td></tr> <tr><td>3 PLC</td><td>±</td><td>.010</td></tr> <tr><td>4 PLC</td><td>±</td><td>-</td></tr> <tr><td>ANGLES</td><td>±</td><td>-</td></tr> </table> |                      | 0 PLC                          | ±   | -                  | 1 PLC | ± | - | 2 PLC | ± | - | 3 PLC | ± | .010 | 4 PLC | ± | - | ANGLES | ± | - | APPLICATION SPEC<br>- | SIZE<br>A2 | CAGE CODE<br>00779 |
| 0 PLC   | ±                    | -                              |   |                    |       |   |   |       |   |   |       |   |      |       |   |   |        |   |   |                       |            |                    |
| 1 PLC   | ±                    | -                              |   |                    |       |   |   |       |   |   |       |   |      |       |   |   |        |   |   |                       |            |                    |
| 2 PLC   | ±                    | -                              |   |                    |       |   |   |       |   |   |       |   |      |       |   |   |        |   |   |                       |            |                    |
| 3 PLC   | ±                    | .010                           |   |                    |       |   |   |       |   |   |       |   |      |       |   |   |        |   |   |                       |            |                    |
| 4 PLC   | ±                    | -                              |   |                    |       |   |   |       |   |   |       |   |      |       |   |   |        |   |   |                       |            |                    |
| ANGLES  | ±                    | -                              |   |                    |       |   |   |       |   |   |       |   |      |       |   |   |        |   |   |                       |            |                    |
| MATERIAL<br>ALUMINUM ALLOY  | FINISH<br>BLUE EPOXY | WEIGHT<br>-                    | DRAWING NO.<br>C-205339                                   | RESTRICTED TO<br>- |       |   |   |       |   |   |       |   |      |       |   |   |        |   |   |                       |            |                    |
| CUSTOMER DRAWING  |                      |                                | SCALE<br>1:1  | SHEET<br>1 of 1    |       |   |   |       |   |   |       |   |      |       |   |   |        |   |   |                       |            |                    |

205339