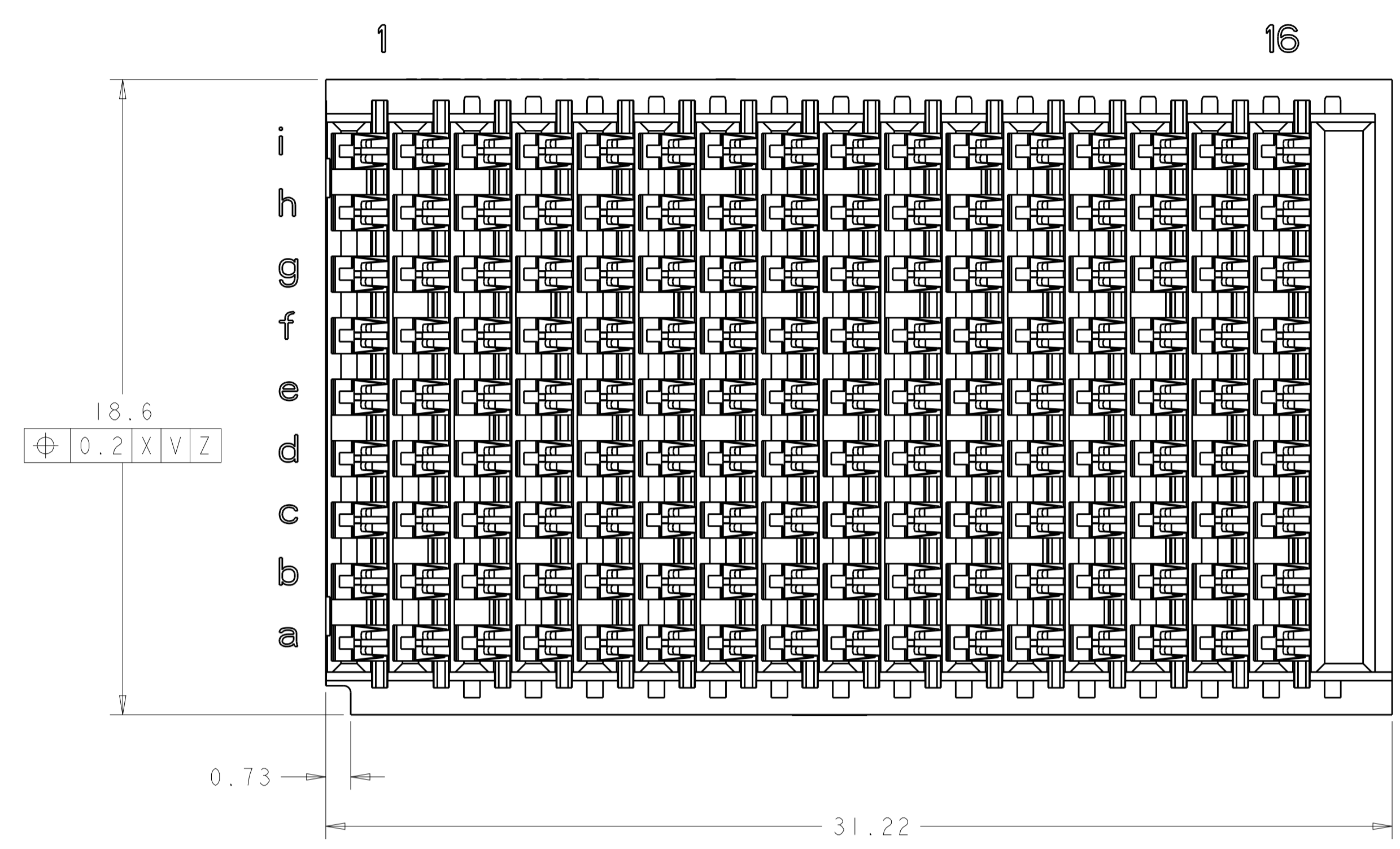
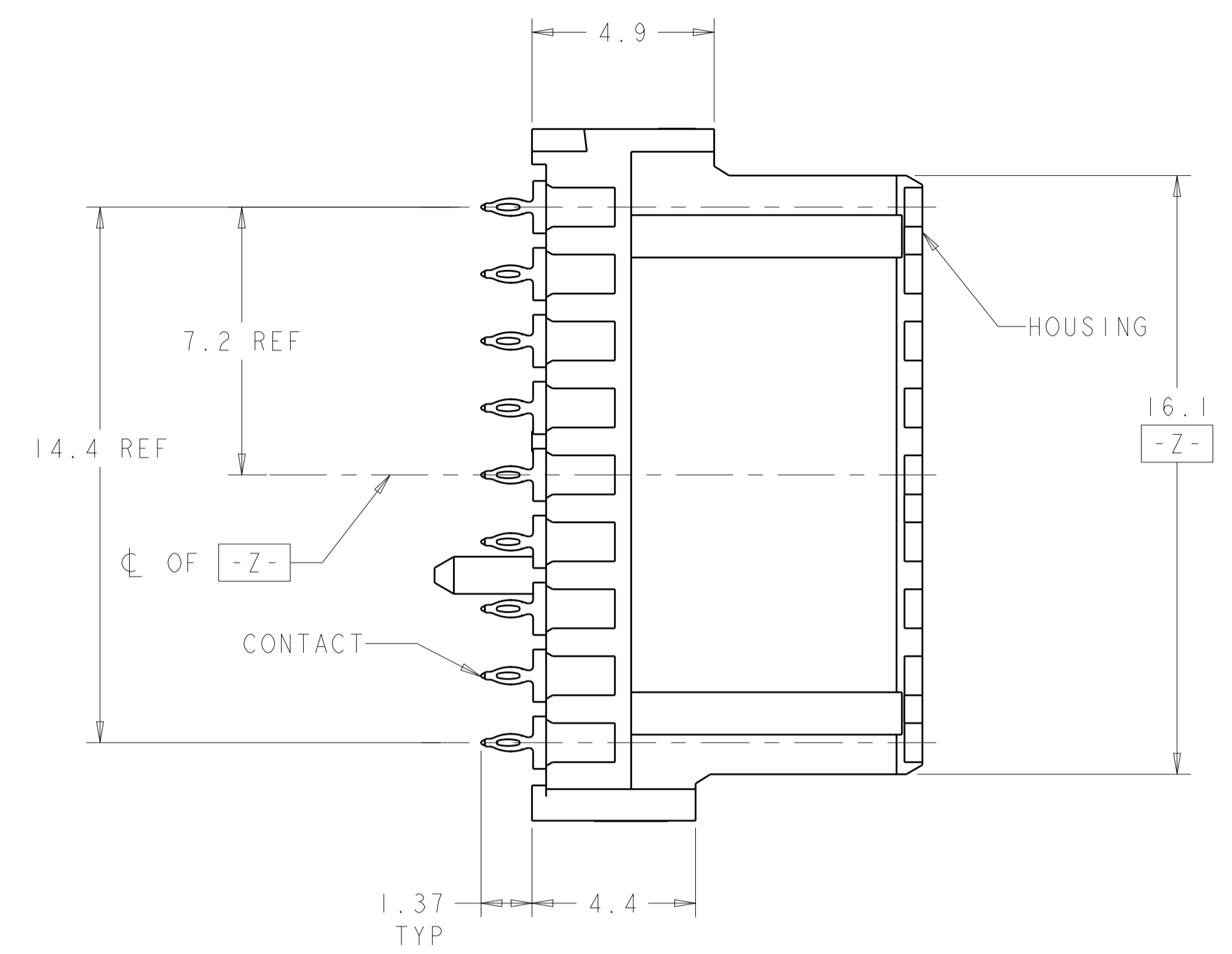
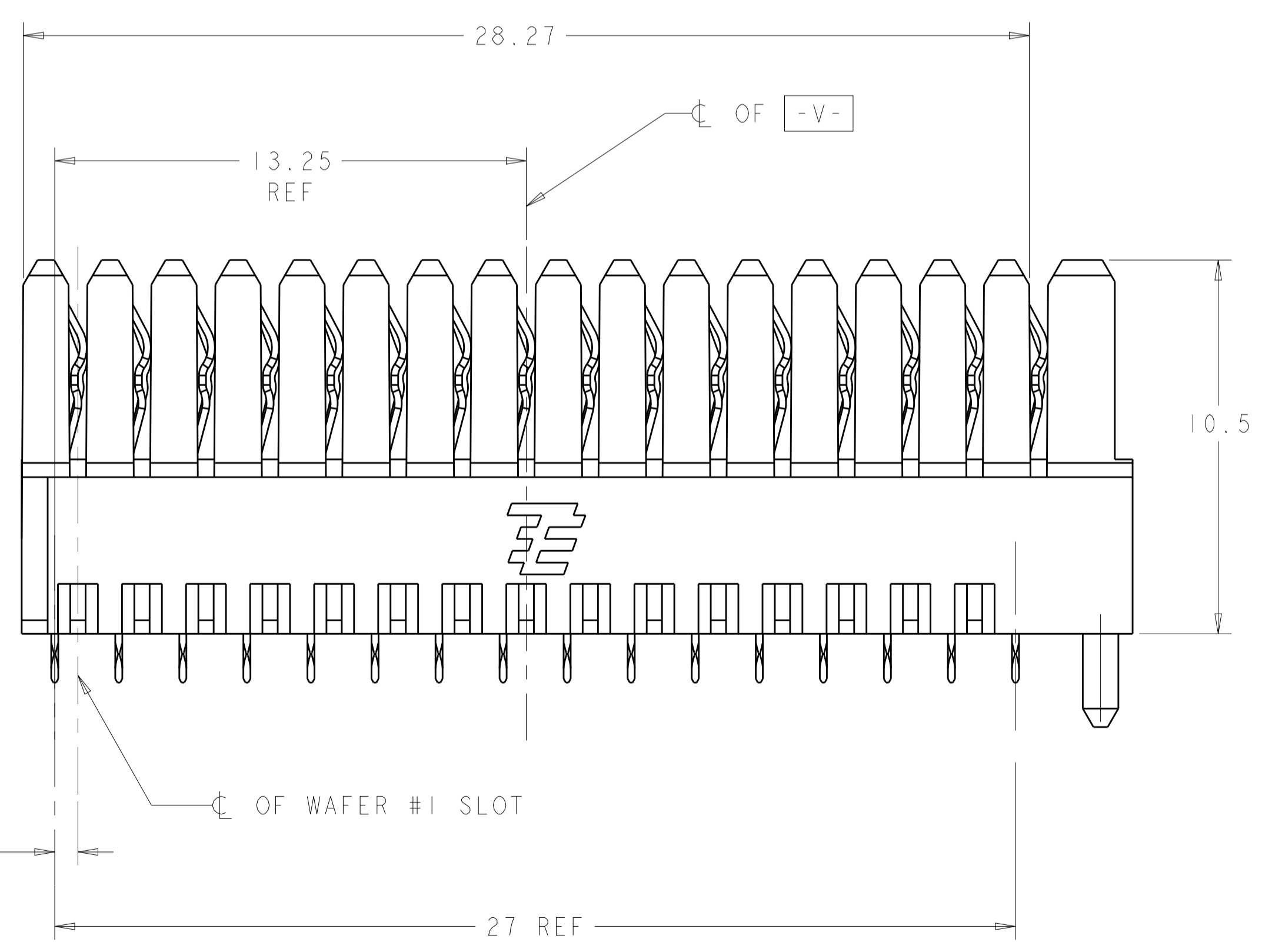
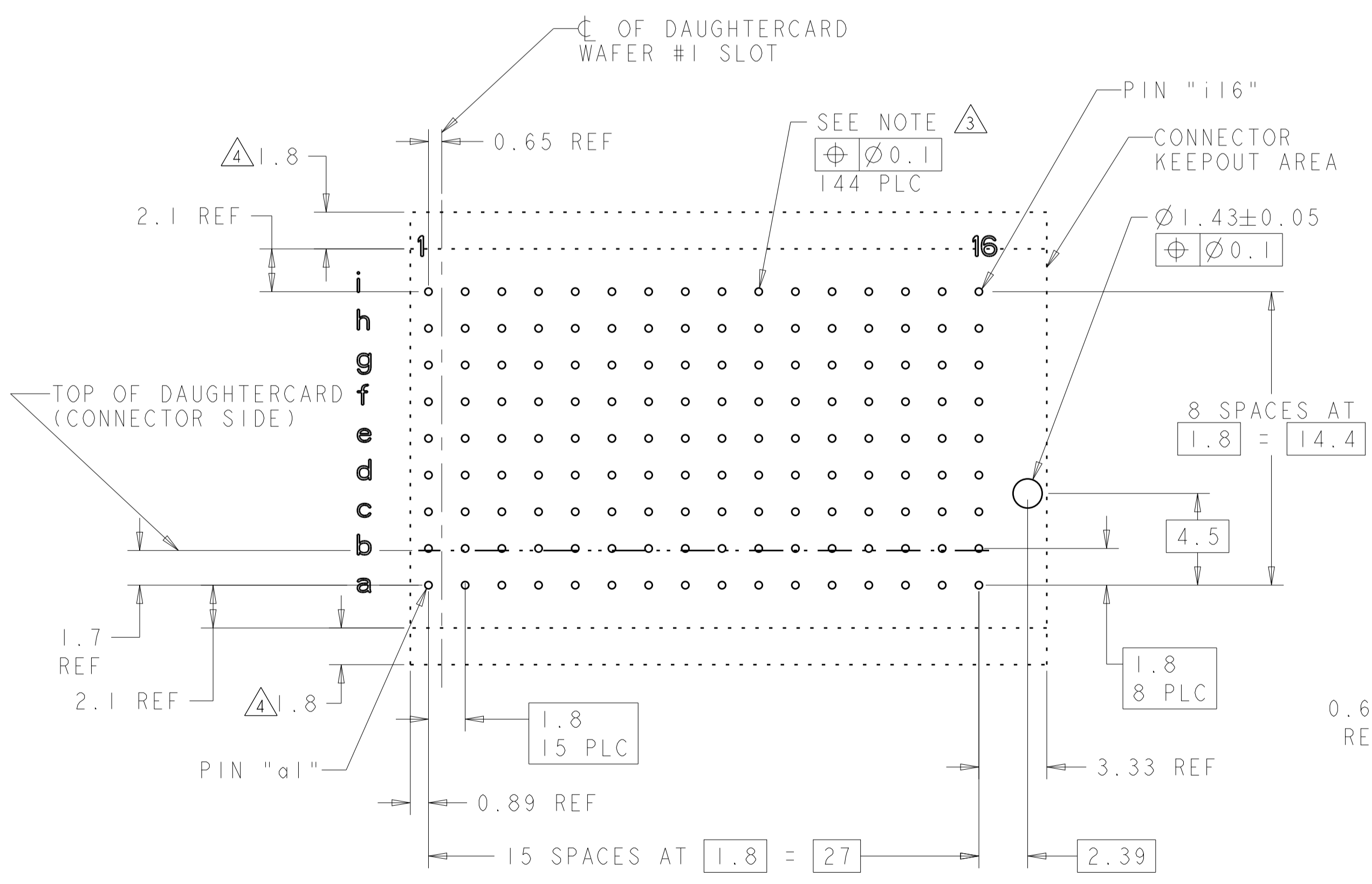


REVISIONS				
P.	LTN	DESCRIPTION	DATE	APVD
A		RELEASED PER ECO-19-001811	05FEB2019	DCB AT
B		REVISED PER ECO-19-002318	14FEB2019	DCB DH



- △ HOUSING: LCP, UL94V0, COLOR: BLACK.
CONTACT: PHOSPHOR BRONZE.
- △ FINISH: 1.27µm GOLD IN CONTACT AREA 1.27µm MIN. TIN-LEAD ON PCB TAIL OVER 2.54µm MIN. NICKEL OVER ALL.
- △ PLATED THRU HOLE SPECIFICATION:
 -DRILLED HOLE: $\varnothing 0.45 \pm 0.02$
 -0.025-0.050 THICK COPPER PLATING (MAX HARDNESS 150 KNOOP)
 FINISH OPTIONS:
 -0.0038-0.0124 HOT AIR SOLDER LEVELING (HASL) TIN-LEAD (SnPb)
 -0.0005-0.004 IMMERSION TIN (Sn)
 -0.0002-0.0005 ORGANIC SOLDERABILITY PRESERVATIVE (OSP)
 -0.0001-0.0005 IMMERSION SILVER (Ag)
 -0.0001-0.0005 IMMERSION GOLD OVER
 0.00127-0.0076 NICKEL (ENIG)
 FINISH HOLE DIAMETER AFTER PLATING = $\varnothing 0.36$ REF
- △ ADDITIONAL CONNECTOR-SIDE KEEPOUT AREA REQUIRED IF CONNECTOR-SIDE EXTRACTION TOOL IS TO BE USED.
- △ FINISH: 1.27µm MIN GOLD IN CONTACT AREA, 0.50µm MIN TIN ON PCB TAIL OVER 2.54µm MIN. NICKEL OVER ALL.



PC BOARD LAYOUT (CONNECTOR SIDE)
 (SEE SHEET 2 FOR RTM)
 SCALE 5:1

△	2302790-2
△	2302790-1
PLATING	PART NO

THIS DRAWING IS A CONTROLLED DOCUMENT.

DIMENSIONS: mm

TOLERANCES UNLESS OTHERWISE SPECIFIED:

0 PLC	±
1 PLC	±0.5
2 PLC	±0.13
3 PLC	±
4 PLC	±
ANGLES	±1°

MATERIAL: SEE TABLE

FINISH: SEE TABLE

APVD: R. MILLER 09AUG2016, A. TSANG 09AUG2016

PRODUCT SPEC: 108-2072-3

APPLICATION SPEC: 114-163004

WEIGHT: 6.97g

RESTRICTED CUSTOMER

NAME: VERTICAL RECEPTACLE ASSEMBLY, RIGHT END, MULTIGIG RT 3

SIZE: A1

CAGE CODE: 100779

DRAWING NO: C=2302790

RESTRICTED TO: B

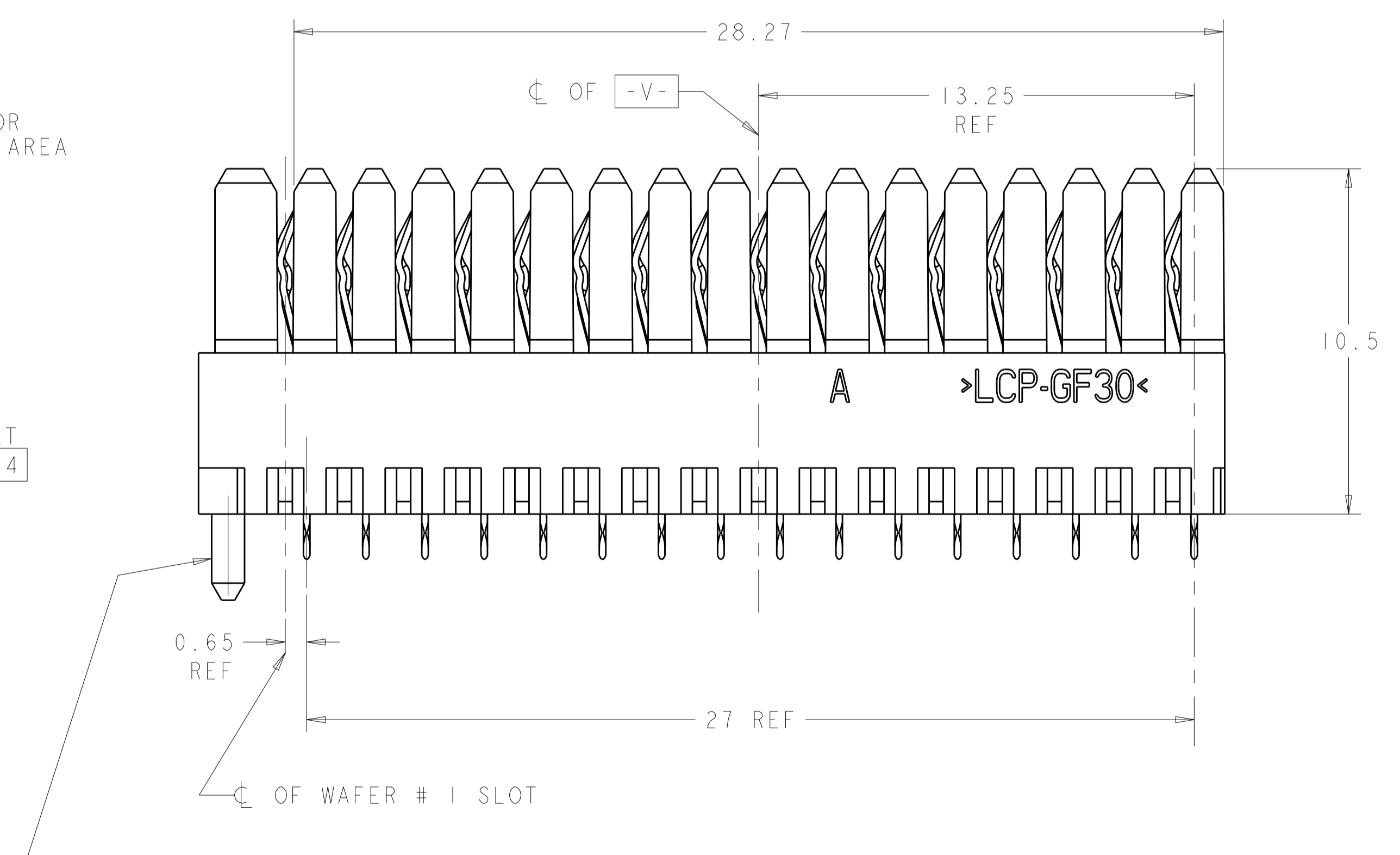
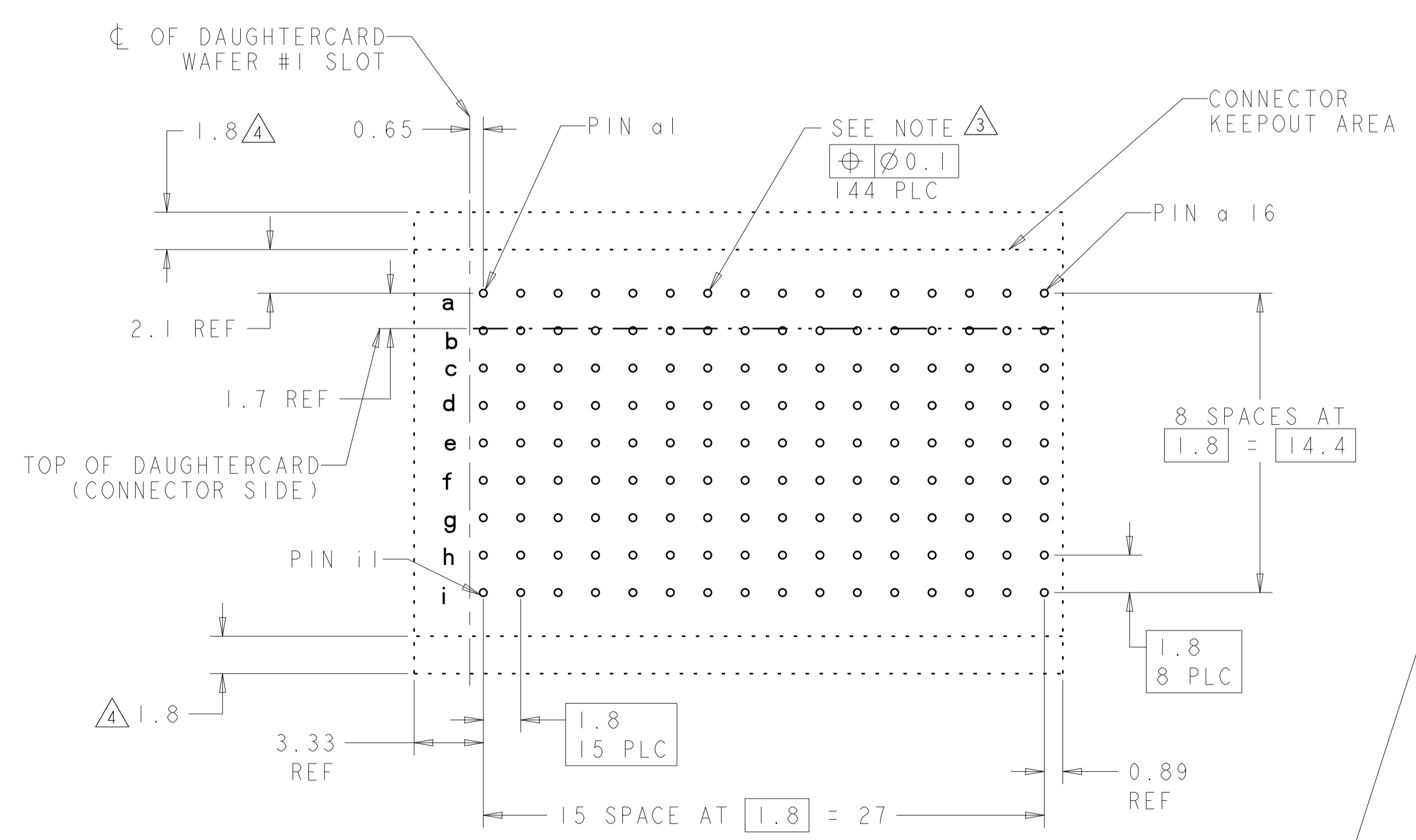
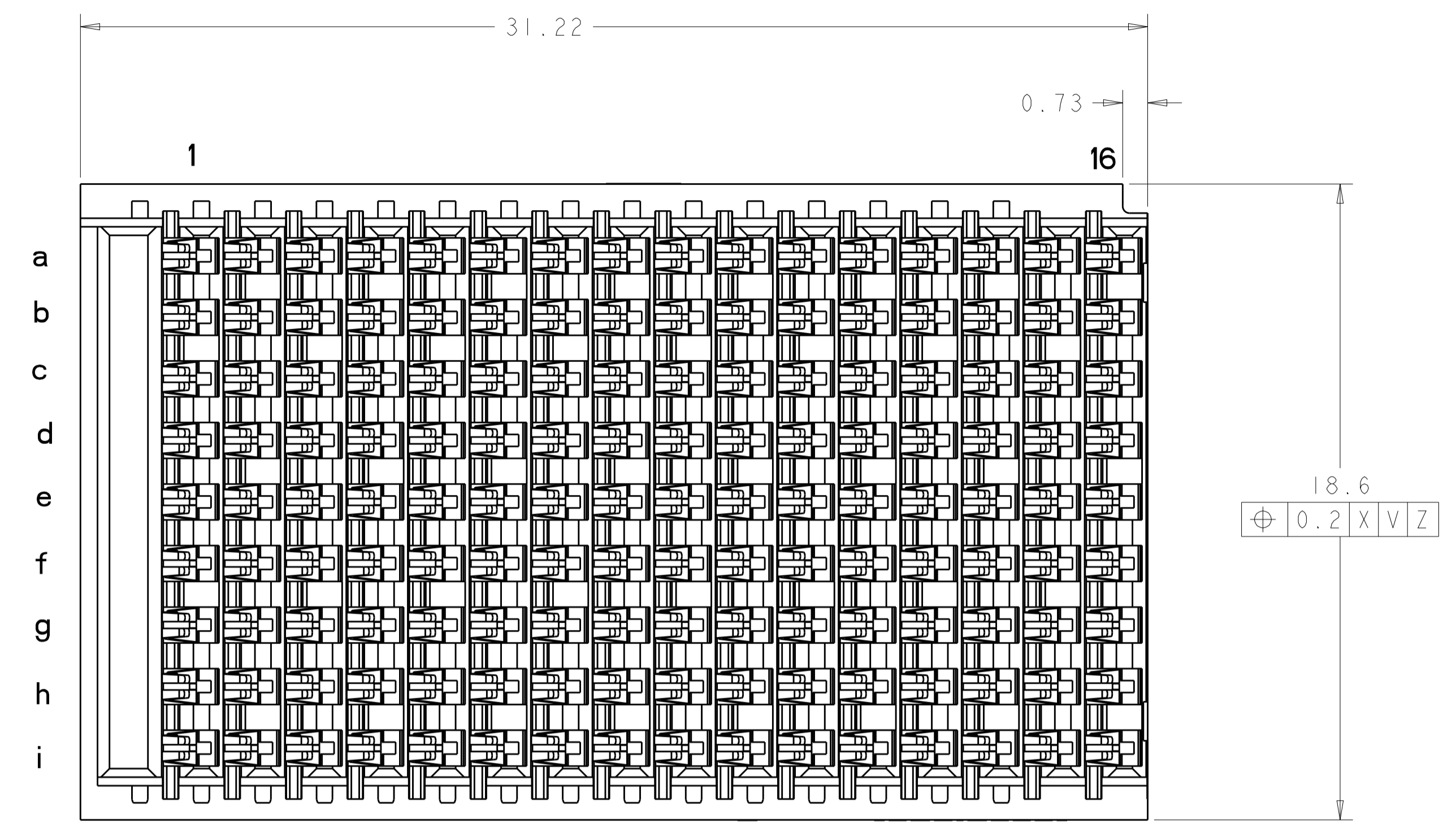
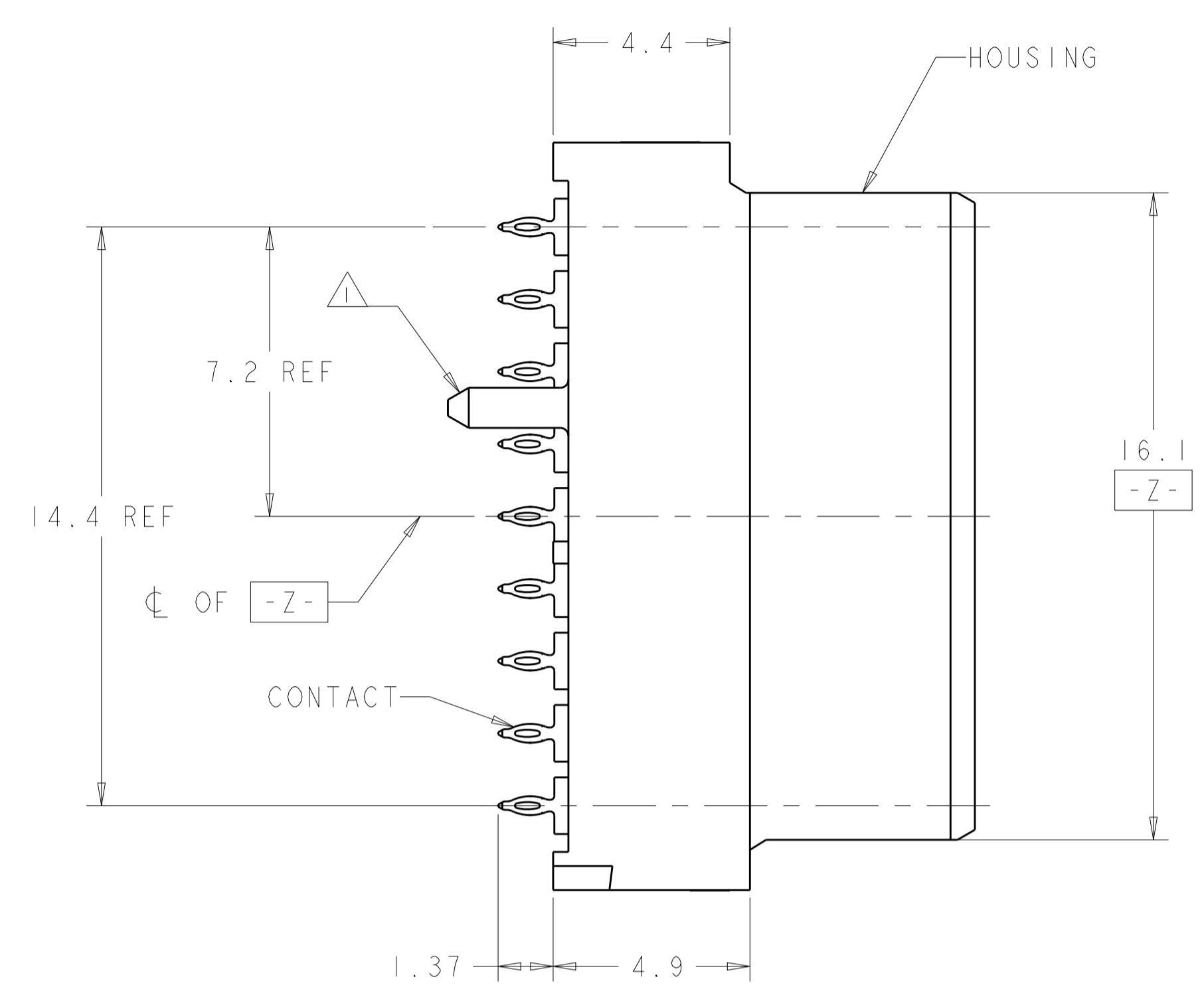
SCALE: 8:1

SHEET: 1 OF 2

REV: B

REVISIONS				
P.	LTN.	DESCRIPTION	DATE	APVD.
-	-	SEE SHEET 1	-	-

REAR TRANSITION MODULE APPLICATION



PLASTIC ALIGNMENT PIN MUST BE REMOVED FLUSH TO HOUSING BODY PRIOR TO INSERTION INTO RTM LAYOUT

PC BOARD REAR TRANSITION MODULE (CONNECTOR SIDE) SCALE 5:1

THIS DRAWING IS A CONTROLLED DOCUMENT.		DWN: R. MILLER 09AUG2016 CHK: A. TSANG 09AUG2016 APVD: -	TE Connectivity	
DIMENSIONS: mm TOLERANCES UNLESS OTHERWISE SPECIFIED: 0 PLC ± 1 PLC ±0.5 2 PLC ±0.13 3 PLC ± 4 PLC ± ANGLES ±1°		PRODUCT SPEC: 108-2072-3 APPLICATION SPEC: MATERIAL: - FINISH: - SEE TABLE		NAME: VERTICAL RECEPTACLE ASSEMBLY, RIGHT END, MULTIGIG RT 3 SIZE: A1 CAGE CODE: 114-163004 DRAWING NO: 100779 C=2302790 WEIGHT: 6.97g RESTRICTED CUSTOMER
4805 (3/13)		SCALE: 8:1	SHEET 2 OF 2	REV B