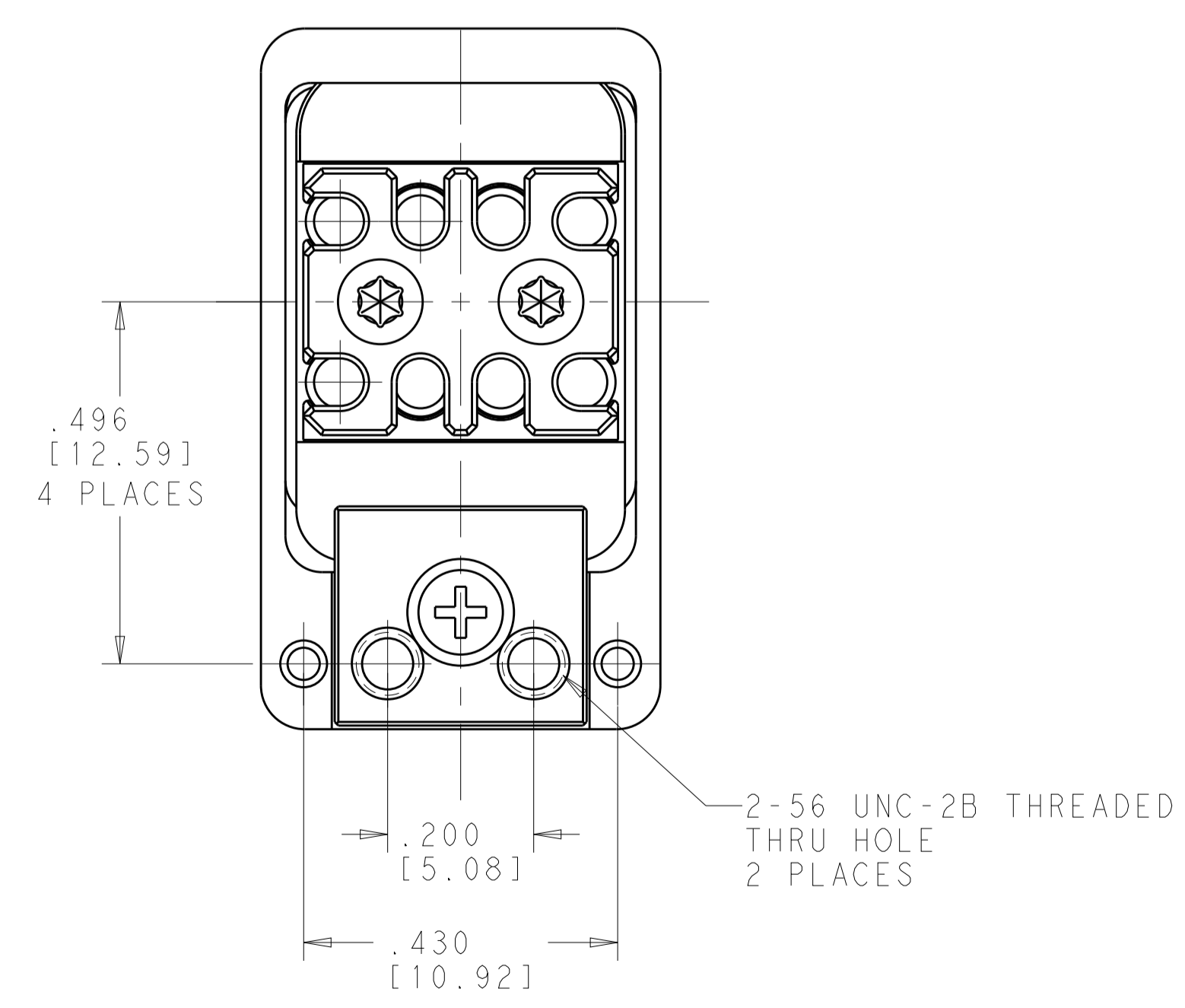
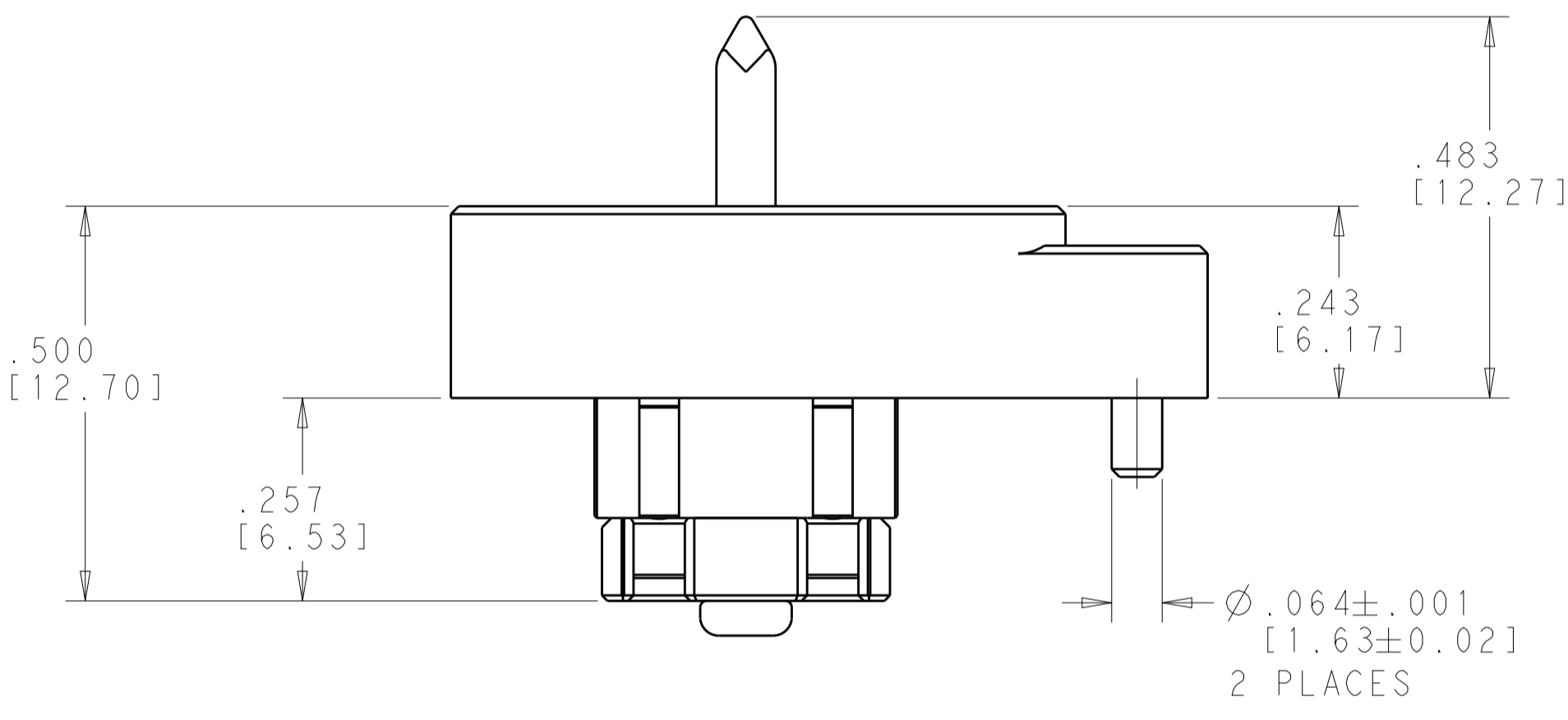
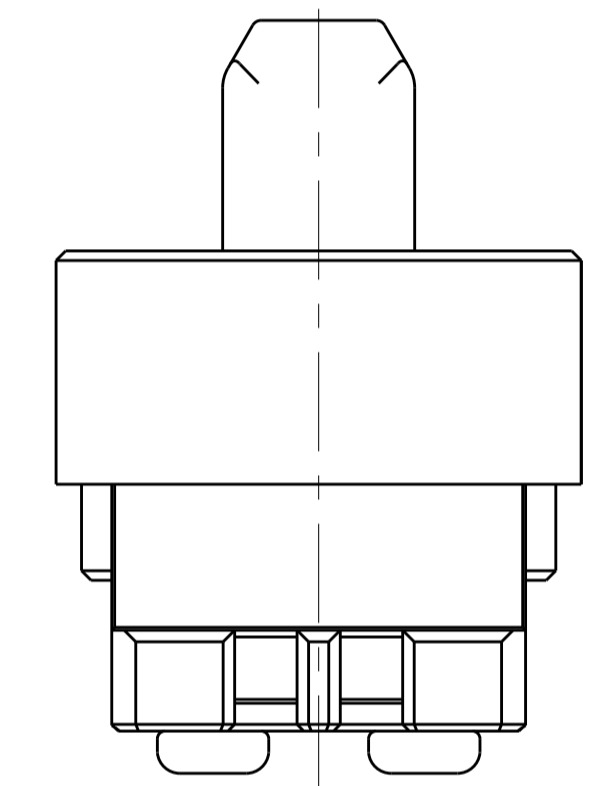
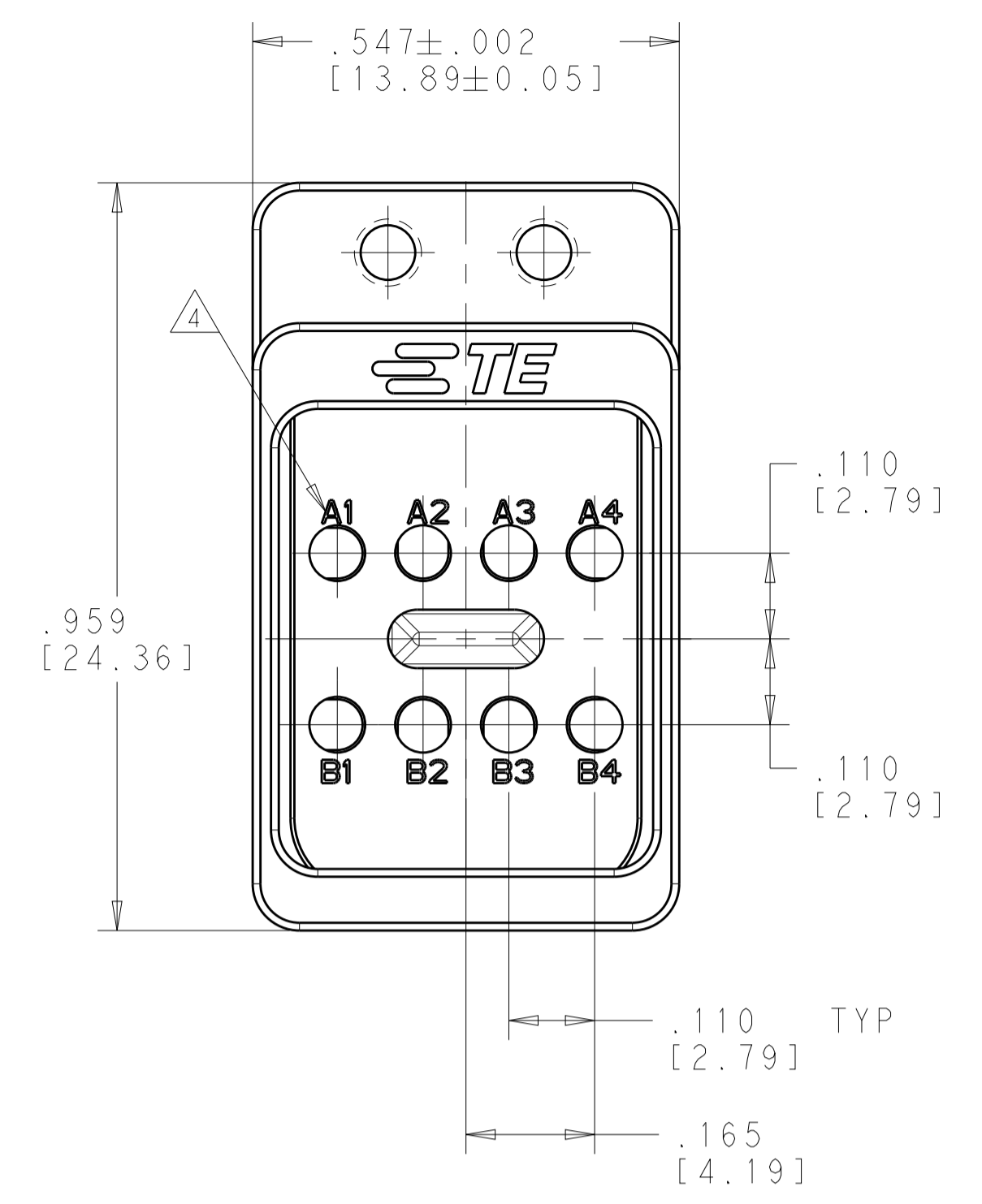
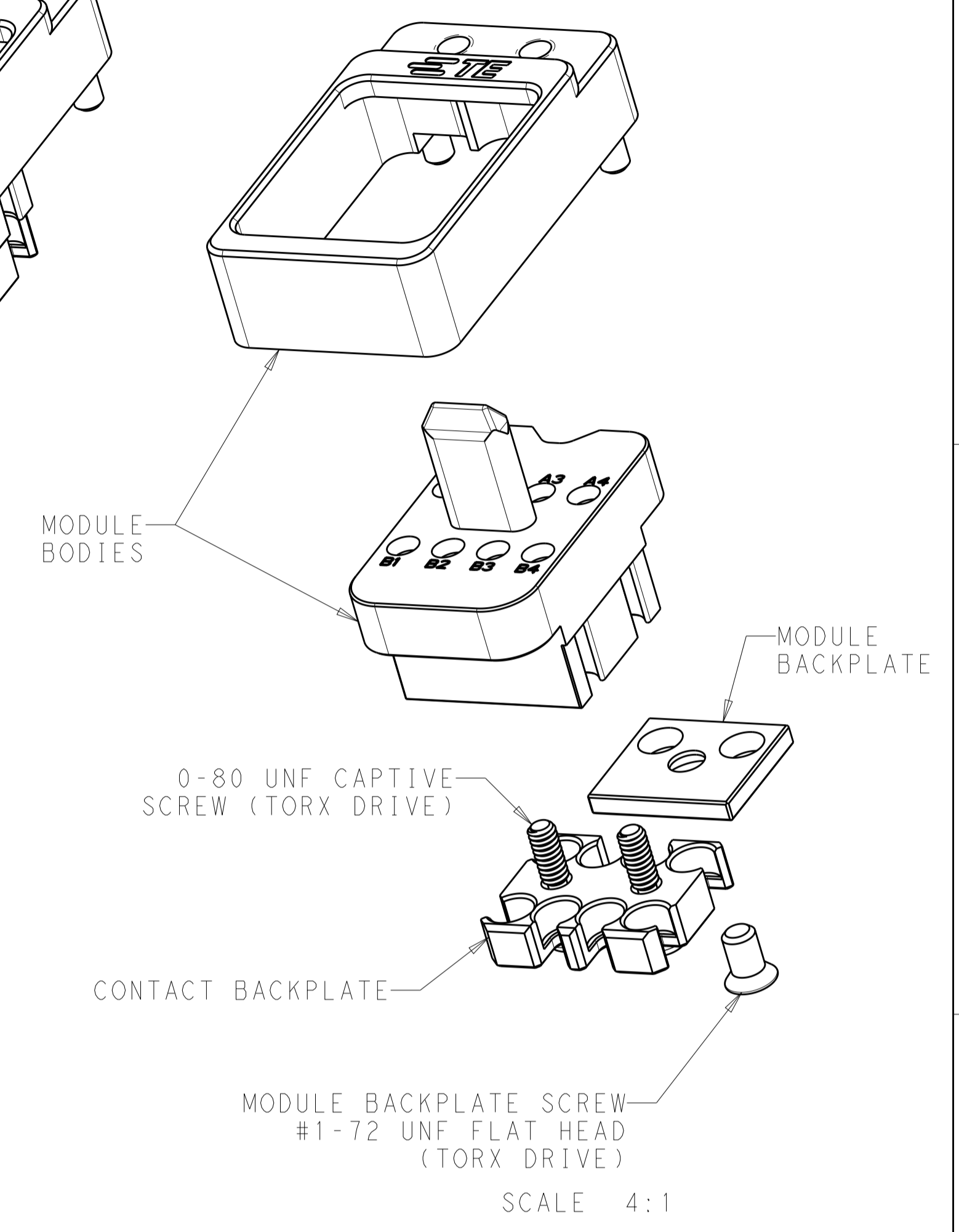
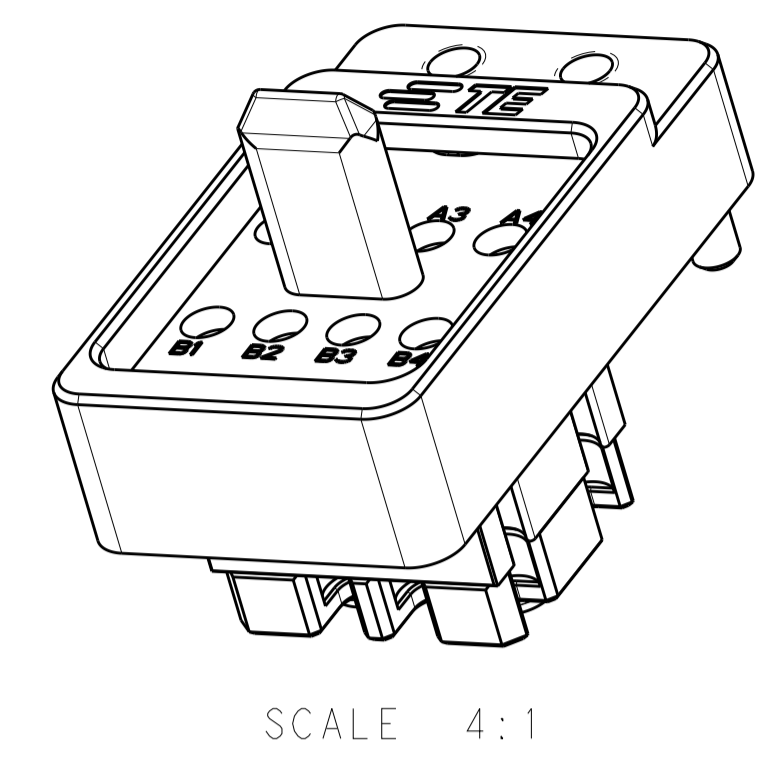


| REVISIONS | | | | |
|-----------|-------------|-------------|----------|-------|
| P. | LTN. | DESCRIPTION | DATE | APVD. |
| B | REV PER ECO | 19-016099 | 10-22-19 | CT FB |



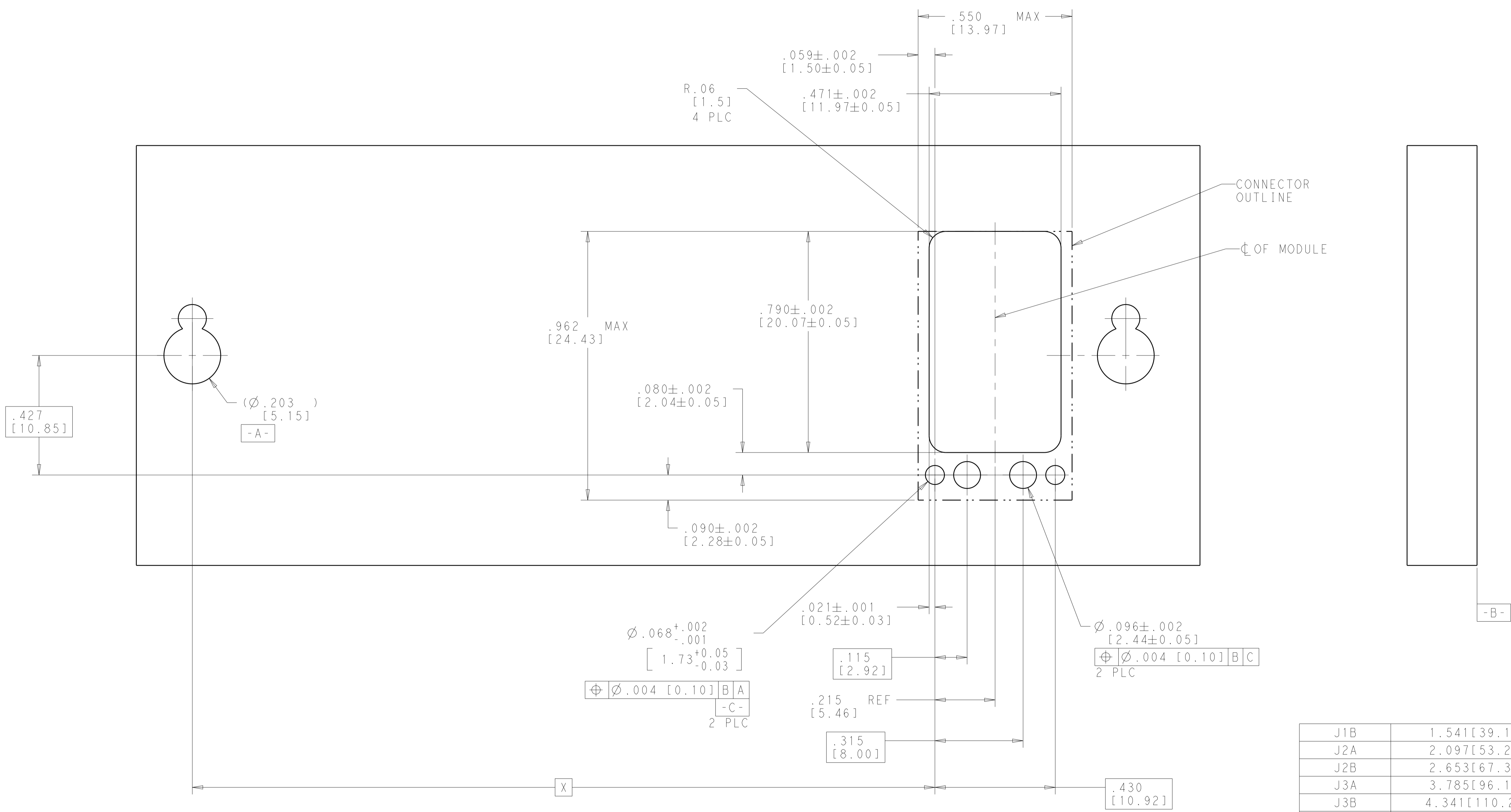
- 1 MATERIAL:
MODULE BODIES AND BACKPLATES - SEE TABLE
SCREWS - 300 SERIES STAINLESS STEEL
- 2 FINISH:
MODULE BODIES - SEE TABLE
SCREWS - PASSIVATED
- 3. SHIPPED IN KIT FORM. CONTACT BACKPLATE SCREWS TO BE ASSEMBLED TO CONTACT BACKPLATE. MODULE BODIES TO BE ASSEMBLED TOGETHER WITH MODULE BACKPLATE AND MODULE BACKPLATE SCREW.
- 4 CIRCUIT IDENTIFICATION MARKING
- 5. DESIGNED TO BE USED WITH CONTACTS 2302345-1



| | | |
|-----------------------------------|--------------------------------|-------------|
| CLEAR CHROMATE CONVERSION COATING | ALUMINUM ALLOY 7075 | 2332627-2 |
| PASSIVATED | STAINLESS STEEL PER UNS S30300 | 2332627-1 |
| MODULE FINISH 2 | MODULE MATERIAL 1 | PART NUMBER |

| | | | | |
|--|----------|-----------------------------------|--|--|
| THIS DRAWING IS A CONTROLLED DOCUMENT. | | OWN K. MILLER 16MAY2018 | NAME 8 POSITION NanoRF MODULE P.C.B. MOUNT - BACKPLANE VITA 67.3 FOOTPRINT COMPATIBLE | |
| DIMENSIONS: INCHES/mm | | CHK K. DOWNHOWER 16MAY2018 | RESTRICTED TO | |
| TOLERANCES UNLESS OTHERWISE SPECIFIED: | | APVD K. DOWNHOWER 16MAY2018 | SCALE 5:1 SHEET 1 OF 2 REV B | |
| 0 PLC ± | 1 PLC ± | PRODUCT SPEC | A1 00779 C=2332627 | |
| 2 PLC ± | 3 PLC ± | 108-163006 | | |
| 4 PLC ± | ANGLES ± | APPLICATION SPEC | | |
| MATERIAL 1 | FINISH 2 | 408-163016 | | |
| CUSTOMER DRAWING | | WEIGHT | | |

| REVISIONS | | | | |
|-----------|------|-------------|------|-------|
| P. | LTN. | DESCRIPTION | DATE | APVD. |
| - | - | SEE SHEET 1 | - | - |
| | | | | |
| | | | | |



| | |
|----------|---------------|
| J1B | 1.541[39.15] |
| J2A | 2.097[53.27] |
| J2B | 2.653[67.39] |
| J3A | 3.785[96.14] |
| J3B | 4.341[110.26] |
| J4A | 4.919[124.94] |
| J4B | 5.475[139.06] |
| J5A | 6.053[153.74] |
| J5B | 6.609[167.86] |
| J6A | 7.187[182.54] |
| J6B | 7.743[196.66] |
| POSITION | DIM "X" |

REF PCB LAYOUT - SEE VITA 67.3 FIGURE 6.1.5.2-1

| | | | |
|--|---|---|---|
| THIS DRAWING IS A CONTROLLED DOCUMENT. | | DWN: J. MILLER 16MAY2018 CHK: K. DOWHOWER 16MAY2018 APVD: K. DOWHOWER 16MAY2018 | TE Connectivity |
| DIMENSIONS: INCHES/mm | TOLERANCES UNLESS OTHERWISE SPECIFIED: 0 PLC ± 1 PLC ± 2 PLC ± 3 PLC ±.005[0.13] 4 PLC ± ANGLES ± | NAME: 8 POSITION NanoRF MODULE P.C.B. MOUNT - BACKPLANE VITA 67.3 FOOTPRINT COMPATIBLE PRODUCT SPEC: 108-163006 APPLICATION SPEC: 408-163016 SIZE: A1 CAGE CODE: 00779 DRAWING NO: 2332627 | |
| MATERIAL: | FINISH: | WEIGHT: | CUSTOMER DRAWING SCALE: 8:1 SHEET: 2 OF 2 REV: B |